

Product information presented here reflects conditions at time of publication. Consult factory regarding discrepancies or inconsistencies.

MODEL 2702

PRODUCT FEATURES

1 HP Grinder Pumps

50 Hz

visit our website:
zoellerpumps.com

APPLICATIONS

- Low pressure sewer systems
- High head sewage systems
- Domestic, commercial, wastewater and sewage

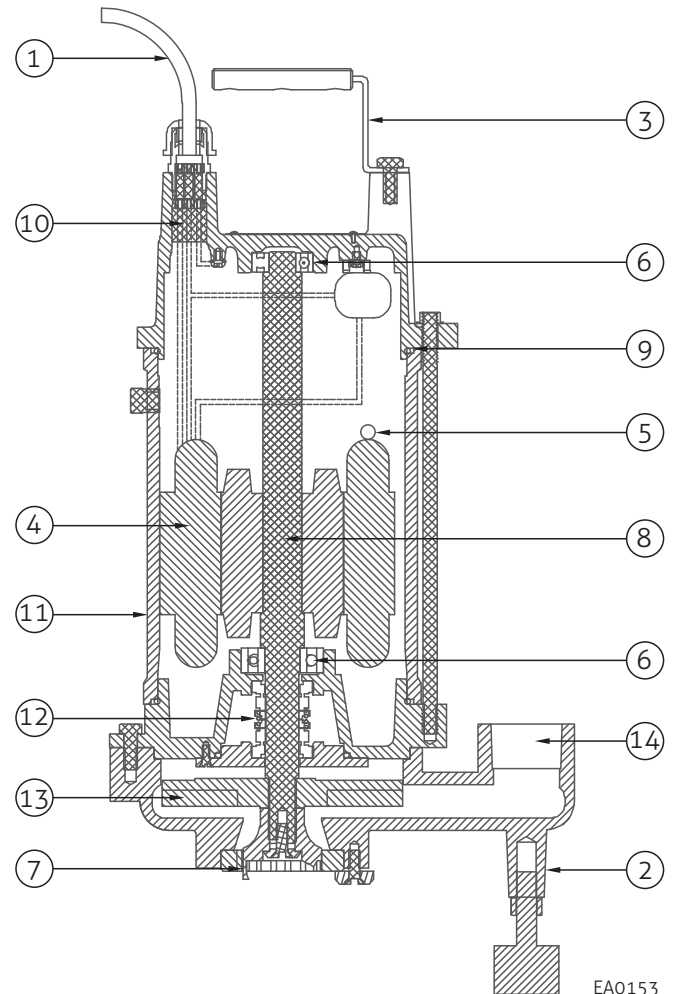
MATERIAL FEATURES

PUMP:

- Hardened 440 stainless steel (Rockwell 55-60) shredding ring and cutter
- 1-1/4" NPT discharge
- Double carbon / ceramic mechanical seal
- Thermal overload is mounted directly on the windings in the single phase models for maximum temperature sensing
- Cast iron ASTM A48 Class 30
- Attaching hardware - 304 stainless steel
- The cord seal is epoxy-potted for superior moisture resistance and anti-wicking
- Ductile iron impeller for superior quality and long life

MOTOR:

- 1 HP, 2850 RPM
- 1 Phase - 220 Volt
- Stator - Class B insulation and lead wires Nema B design
- Oil-filled motor for better cooling and lubrication
- Integral thermal overload
- Housing - cast iron
- 33' (10 m) power cord
- Ball bearings - upper and lower high carbon chromium steel



FEATURES

1. 33' (10 m) power cord.
2. Cast iron support legs enable the pump to be free-standing.
3. Stainless steel lifting bail.
4. Stator - Class B insulation and lead wires Nema B design. Class B motor insulation is double-dipped and baked.
5. Thermal sensor protection mounted directly on the windings to protect against overheating.
6. Upper and lower high carbon chromium steel ball bearings.
7. Stainless steel shredding ring and cutter hardened to Rockwell 55-60.
8. Stainless steel shaft and hardware resist corrosion.
9. Buna-N O ring seals.
10. Triple sealed design compression grommet - outer jacket seal epoxy potted - inner conductor seal.
11. Cast iron ASTM A48 Class 30 strength.
12. Double carbon / ceramic mechanical seal.
13. Semi-open vortex impeller design, fully balanced with integral pump-out vane to clear debris.
14. 1-1/4" NPT discharge. Concentric pump housing with centerline discharge reduces radial loading for longer bearing and shaft seal life.

MODEL 2702

TECHNICAL DATA

1 HP Grinder Pumps

MODELS:	<input type="checkbox"/> 2702
MODE:	NON-AUTO
PUMP NAME PLATE HORSEPOWER:	1
MAXIMUM KW INPUT:	2.2
STANDARD IMPELLER DIAMETER:	5.4" (137.2 mm)
DISCHARGE SIZE:	1-1/4" NPT / 2" HORIZONTAL (OPTIONAL)

IMPELLER TYPE:	SEMI-OPEN	DOUBLE SEALS:	STANDARD
CUTTER & PLATE:	440 C SS HARDENED TO ROCKWELL 55-60	MOTOR DESIGN LETTER:	NEMA B
PUMP NET WEIGHT:	75 lbs. (34 kg)	POWER CORD LENGTH: ft (m) (33' [10 m] STANDARD)	<input type="checkbox"/> 50' (15.2 m)
O RINGS:	BUNA-N	POWER CORD:	H07RN-F 1.0
MOTOR SHAFT:	SS410	STATOR & LEAD WIRES INSULATION:	CLASS B
RPM:	2850	MAXIMUM STATOR TEMPERATURE:	266 °F (130 °C)
MOTOR TYPE:	SUBMERSIBLE		

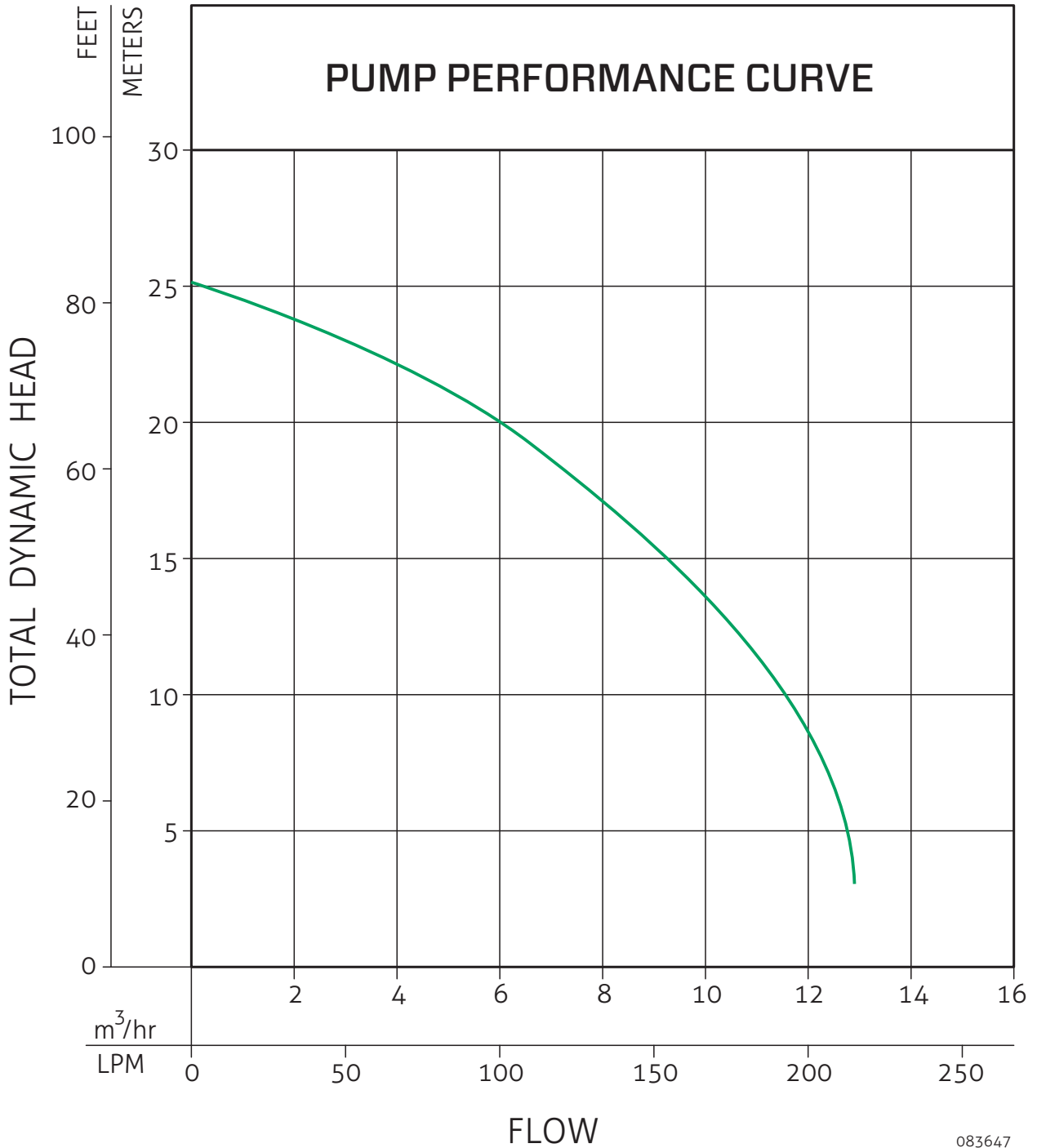
SHAFT SEAL CONSTRUCTION:	STANDARD	CARBON/CERAMIC
STANDARD SENSING DEVICES:	MOTOR THERMAL SHUTOFF	INTEGRAL ON-LEAD
IMPELLER MATERIAL:	2702	STANDARD DUCTILE IRON
IMPELLER TRIM:	<input type="checkbox"/> OPTIONAL	DESIGN POINT: ____ GPM @ ____' TDH, IMPELLER DIA. ____"
MAXIMUM WATER TEMPERATURE:		104 °F (40 °C) Continuous, 140 °F (60 °C) Intermittent

MODEL	HP	<input type="checkbox"/> 220V / 1 PH	
		FLA	LRA
2702	1	10	--

RESERVE POWERED DESIGN

For unusual conditions a reserve safety factor is engineered into the design of every Zoeller® pump.

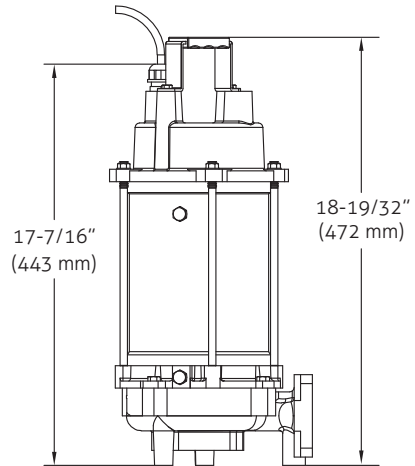
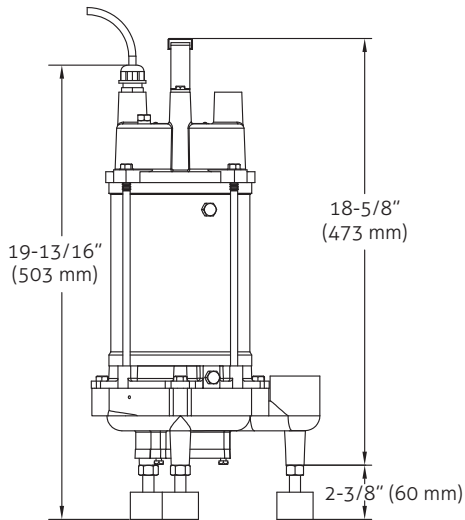
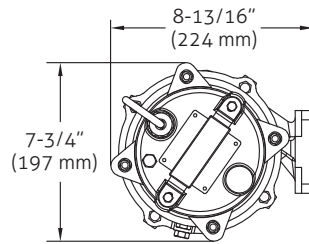
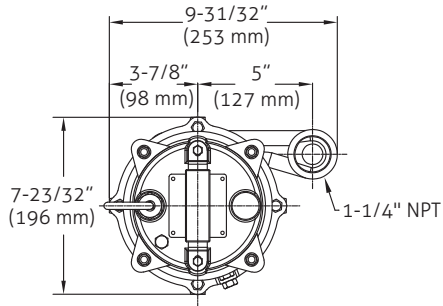
MODEL 2702
PERFORMANCE CURVE
1 HP Grinder Pumps



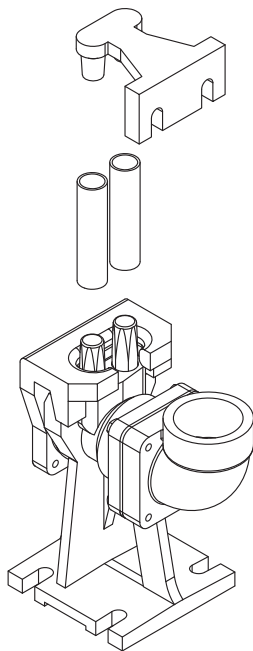
MODEL 2702

DIMENSIONAL DRAWING

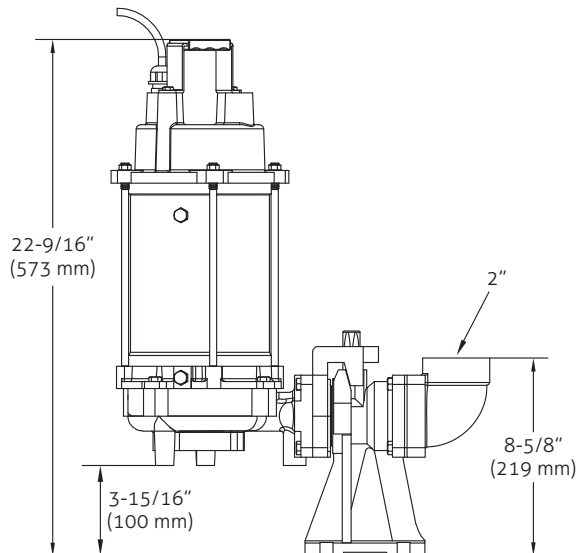
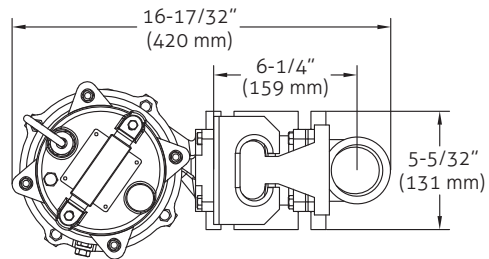
1 HP Grinder Pumps



EA0122



2039-0004 (NPT)
2039-0008 (BSPT)



EA0152