

Model 2242

50 Hz 60 Hz

Submersible Sewage Pump

Features:

- Cast iron ASTM A48 Class 30
- Ductile iron impeller for superior quality and long life
- Semi-open impeller design reduces bearing load, increases bearing life and prevents clogging
- Double carbon / ceramic mechanical seal
- Thermal overload is mounted directly on the windings in the single phase models for maximum temperature sensing
- Oil-filled motor for better cooling and lubrication
- The cord seal is epoxy-potted for superior moisture resistance and anti-wicking
- 2" NPT discharge
- Passes 50 mm (2") spherical solids
- Standard 10 m (33') 50 Hz / 9 m (30') 60 Hz cord

Applications:

- Wastewater / sewage handling
- Dewatering
- Water transfer

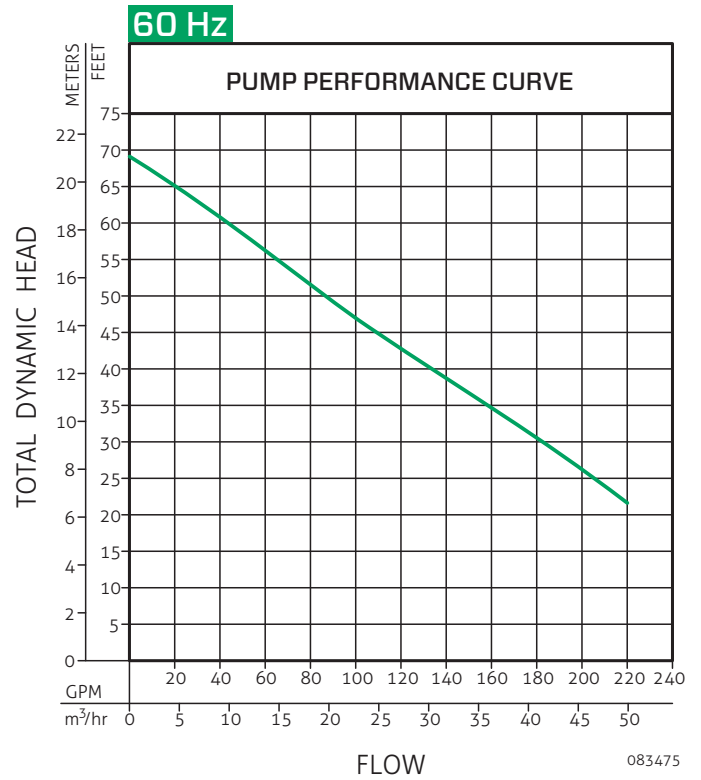
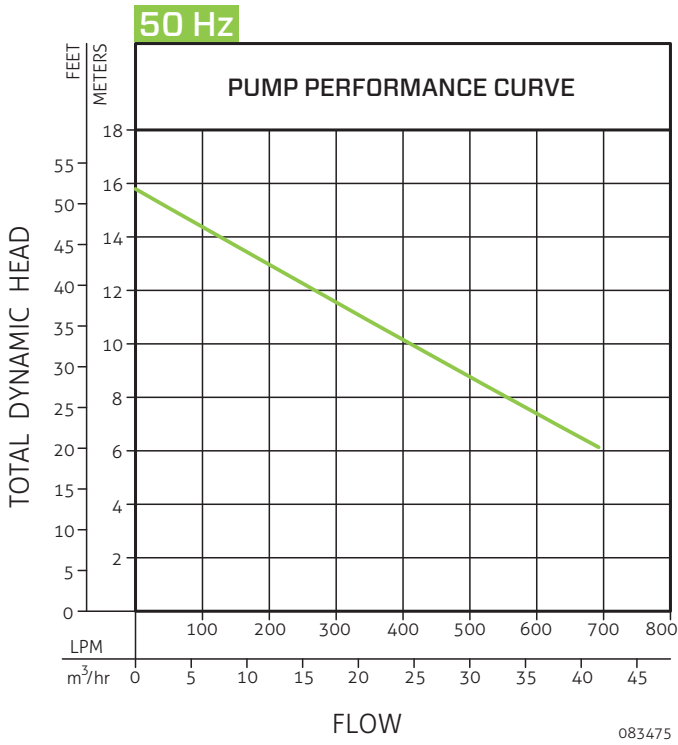
100% factory tested



Trusted. Tested. Tough.®



ZT0260_Ec
0721
Supersedes
0717

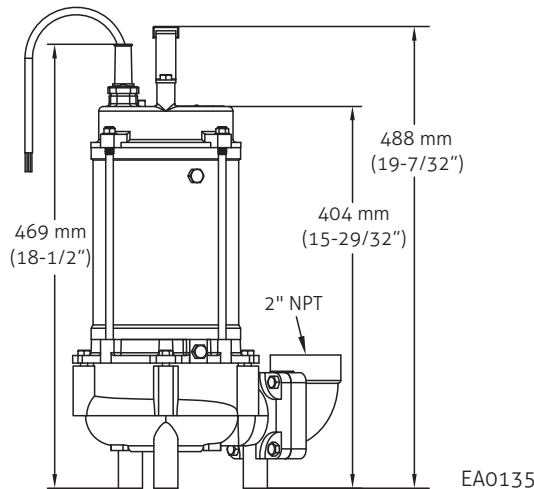
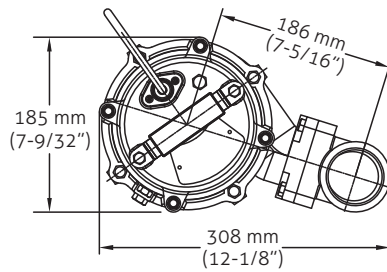


50 Hz

Model	Mode	Volts (V)	Ph Ø	Amps (A)	Motor		Weight	
					HP	kW (p1)	kg	lbs
2242	Non-Auto	220	1	15	2	3.3	34.3	76

60 Hz

Model	Mode	Volts (V)	Ph Ø	Amps (A)	Motor		Weight	
					HP	kW (p1)	kg	lbs
2242	Non-Auto	230	1	18	2	4.1	34.3	76



Product information presented here reflects conditions at time of publication. Consult factory regarding discrepancies or inconsistencies.