

Model 2833, 2835 & 2837

50 Hz 60 Hz

Submersible Grinder Pump TWO STAGE

Features:

- Hardened 440 stainless steel (56-60 Rockwell) shredding ring and grinding impeller
- Cast iron ASTM A48 Class 30
- Semi-open impeller prevents clogging
- Ductile iron impeller for superior quality and long life
- Both ends of the pump are protected by tandem carbon / ceramic and silicon carbide mechanical seal
- Thermal sensor is mounted directly on the windings in the three phase models for maximum temperature sensing (requires circuit in control panel to function)
- Moisture probes for leak detection (requires circuit in control panel to function)
- Oil-filled motor for better cooling and lubrication
- The cord seal is epoxy-potted for superior moisture resistance and anti-wicking
- 2" NPT discharge (optional BSPT discharge)
- Standard 10 m (33') cord

Applications:

- Low pressure sewer systems
- High head sewage systems
- Domestic, commercial, wastewater and sewage

100% factory tested

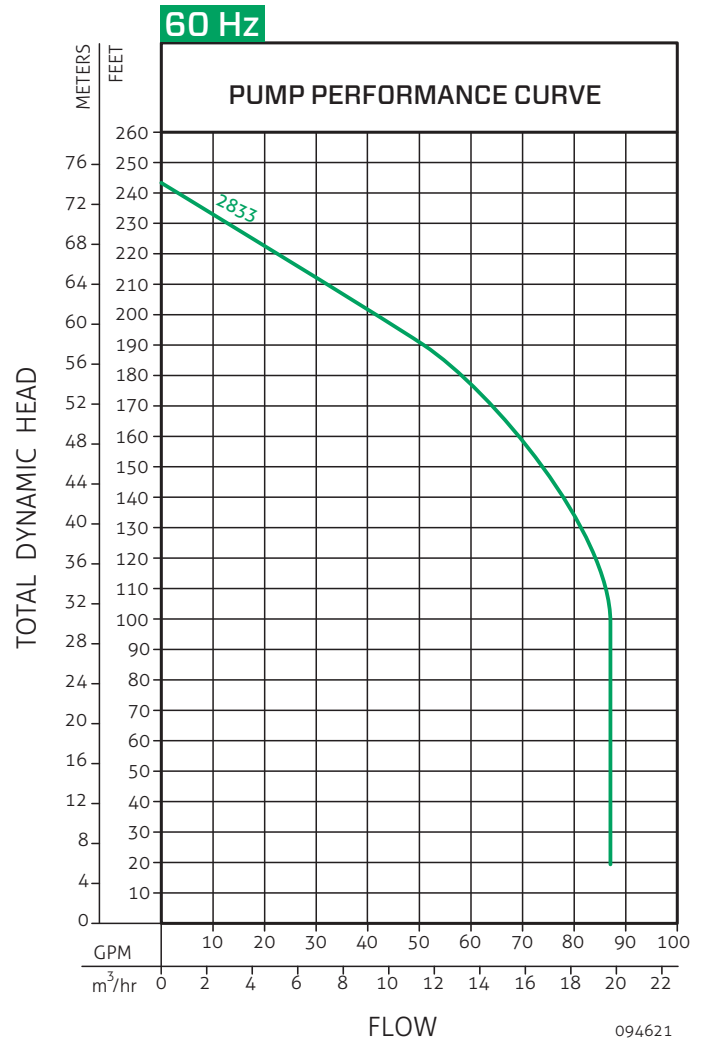
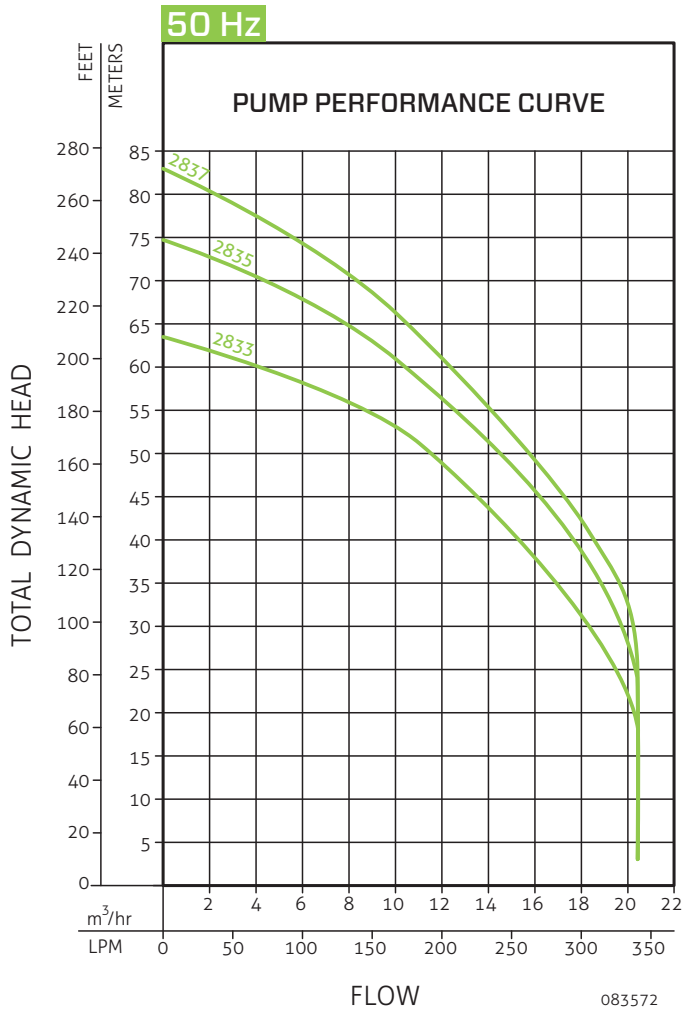


Trusted. Tested. Tough.®



Shredding Ring
and Cutter

ZT0245_Ec
0920
Supersedes
1119



50 Hz

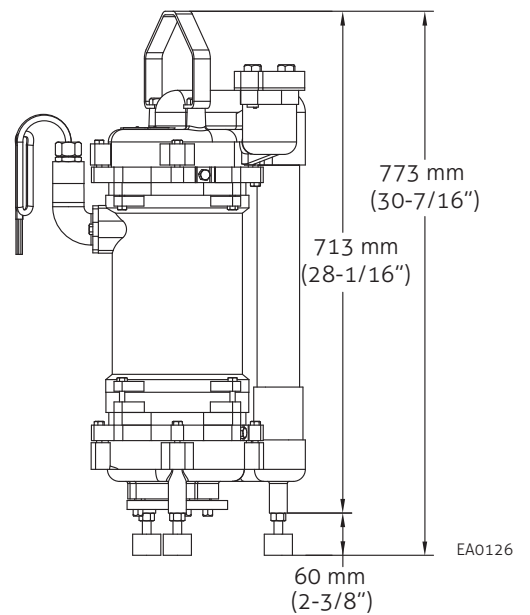
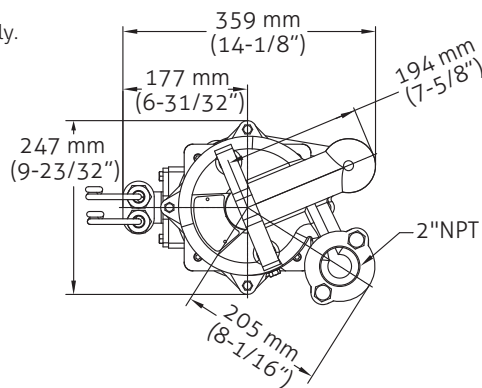
Model	Volts (V)	Ph Ø	Amps (A)	Motor		Weight	
				kW (p1)	HP	kg	lbs
Tandem Seal							
AK2833	380~415	3	13.0	7.3	3	97	214
AV2833	380~415	3	13.0	7.3	3	97	214
AK2835	380~415	3	15.0	9.4	5	97.5	215
AV2835	380~415	3	15.0	9.4	5	97.5	215
*AK2837	380~415	3	18.0	10.2	7-1/2	98	216
*AV2837	380~415	3	18.0	10.2	7-1/2	98	216

60 Hz

Model	Mode	Volts (V)	Ph Ø	Amps (A)	Motor		Weight	
					HP	kW (p1)	kg	lbs
Tandem Seal								
K2833	Non-Auto	380	3	15.0	3	9.5	97	214

*Operation period: 5 minutes ON, 5 minutes OFF.

CE *Intended for indoor use only.



Product information presented here reflects conditions at time of publication. Consult factory regarding discrepancies or inconsistencies.

© Copyright 2021 Zoeller® Co. All rights reserved.
www.zoellerpumps.com

