

"POND-MATE"

MODEL 374

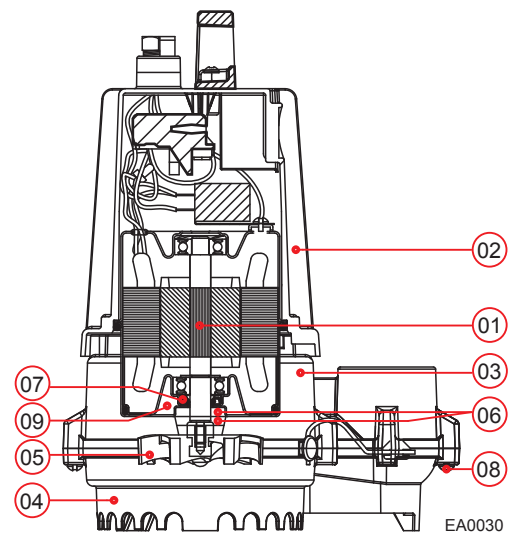


Non-Automatic

Features

- 24 hours continuous run.
- Non-toxic seal chamber grease for continuous run.
- Durable SiC/Carbon seal.
- Thermal overload protected motor for long life.
- Engineered thermoplastic and stainless steel components provide improved corrosion resistance.
- Vent hole prevents air lock.
- Non clogging vortex impeller passes up to 3/8"(9 mm) spherical solids.
- Garden hose adapter for easy hookup.
- Carrying handle for convenient pump placement.
- 1-1/2" NPT discharge.
- Standard 9'(2.7 m) cord. 33'(10 m), 20'(6.1 m) cord available upon request.
- Maximum operating water temperature 104 °F (40 °C).
- 100% tested before shipment for reliable operation.

Construction



No.	Component	Material
01	Shaft	SUS 420J2
02	Motor Housing	ENGINEERED THERMOPLASTIC + FIBERGLASS
03	Pump Housing	
04	Base	
05	Impeller	
06	Mechanical Seal	SiC / CARBON
07	Seal and Gasket	NBR
08	Hardware	STAINLESS STEEL
09	Grease	Non-Toxic Food Grade

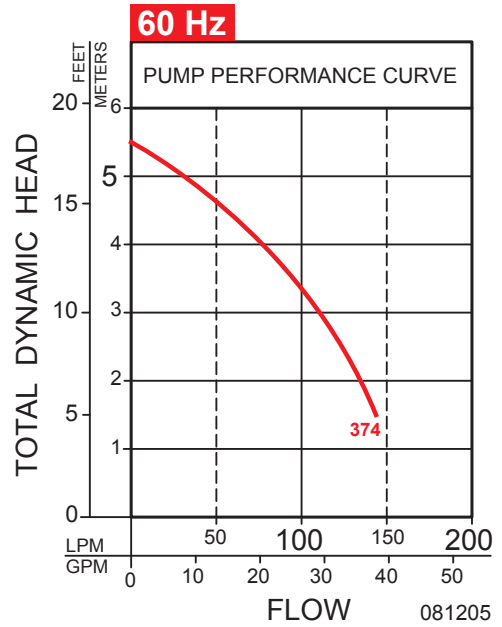
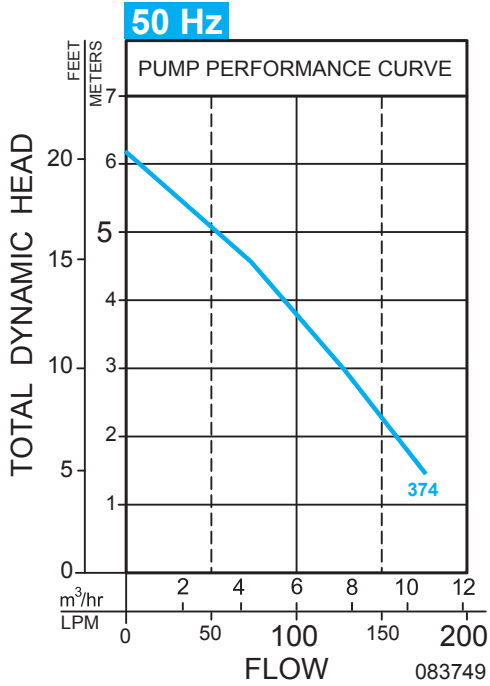
Application

- Fish pond circulation.
- Waterfall landscape.



PUMP COMPANY

Zoeller Family of Water Solutions™

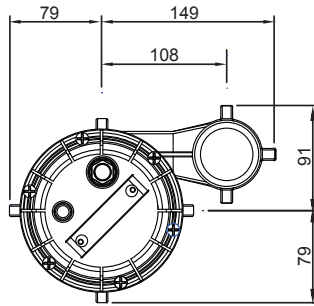


50 Hz

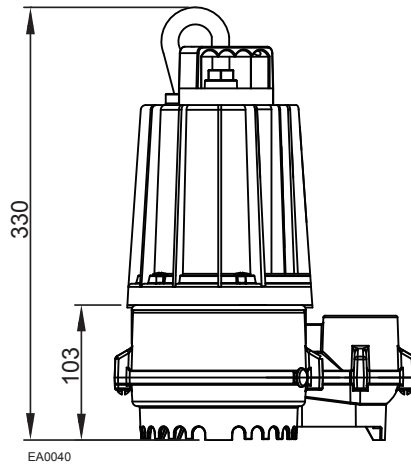
Model	Mode	Volt (V)	Ph Ø	Amps (A)	Motor		Weight	
					kW (p1)	HP	kg	lbs
V374	Non Auto	220	1	2.0	0.38	0.3	4.4	9.7

60 Hz

Model	Mode	Volt (V)	Ph Ø	Amps (A)	Motor		Weight	
					kW (p1)	HP	kg	lbs
N374	Non	115	1	3.1	0.29	0.3	4.4	9.7
BL374	Auto	220	1	1.6	0.30	0.3	4.4	9.7



Unit:mm



EA0040

Product information presented here reflects conditions at time of publication. Consult factory regarding discrepancies or inconsistencies.



PUMP COMPANY

Zoeller Family of Water Solutions™