

# Model 88

50 Hz 60 Hz

## Submersible Sump Pump

### Features:

- Thermal overload protected motor, rugged cast iron motor and pump housing for long life
- Highly efficient motor; oil-filled for enhanced heat dissipation
- Stainless steel hardware provide improved corrosion resistance
- Vent hole prevents air lock
- Non clogging vortex impeller passes up to 3/8" (9 mm) spherical solids
- Carrying handle for convenient pump placement
- Standard 9' (2.7 m) cord. 33' (10 m), 20' (6.1 m) cord available upon request
- Maximum operating water temperature 104 °F (40 °C)
- Vertical switch on/off point: on: 7" (178 mm), off: 3" (76 mm)
- Tethered switch on/off point: on: 11-1/2" (292 mm), off: 5" (127 mm)
- Non-auto model removes water from flat surface down to 5/8" (15 mm)

### Applications:

- Wastewater drainage
- Water supply for agriculture irrigation and landscape
- Lake/River water transfer
- Construction site water removal
- Basement water removal

**100% factory tested**



Trusted. Tested. Tough.™



Non-Automatic

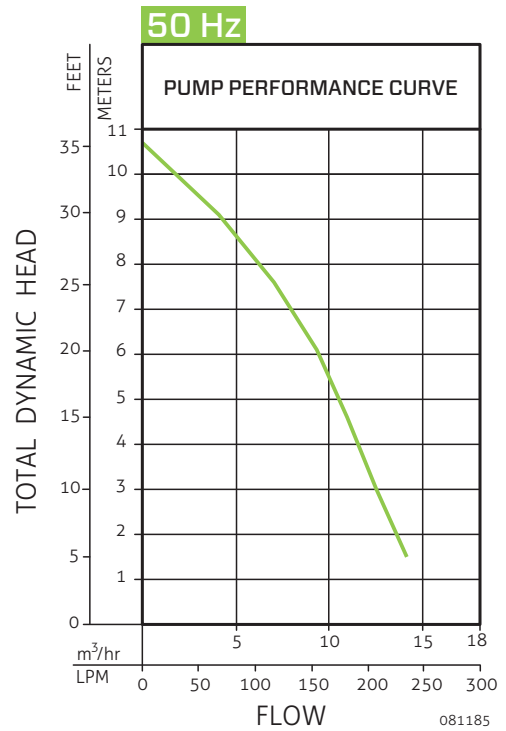
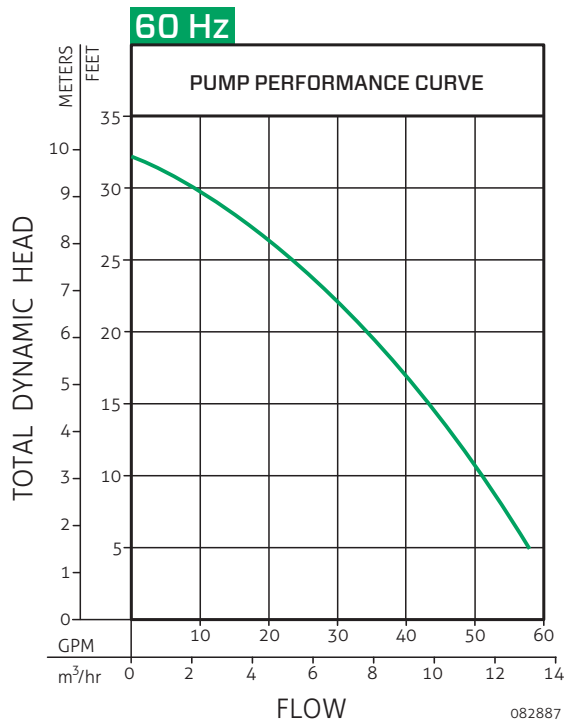


Automatic  
(Vertical Switch)



Automatic  
(Tethered Switch)

ZT0051\_Ec  
0318  
Supersedes  
1214



**60 Hz**

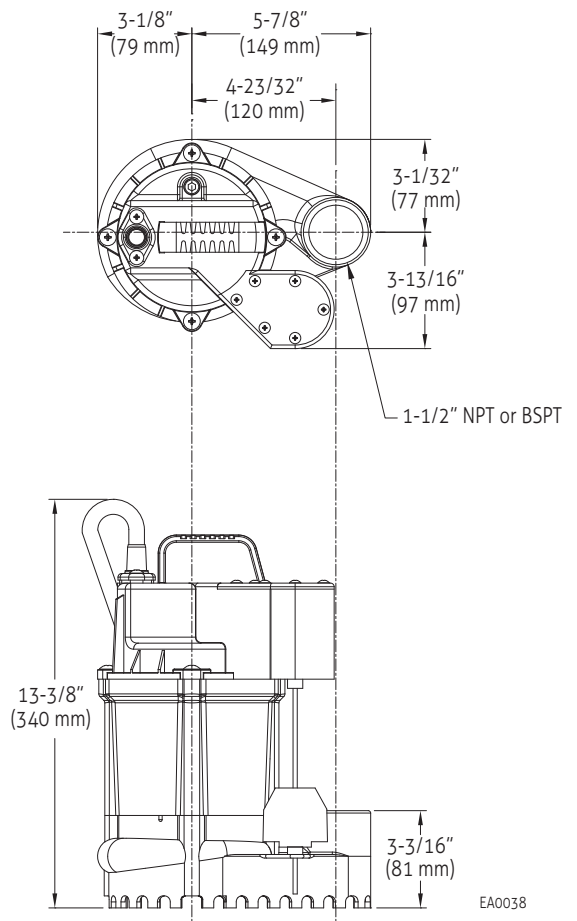
Model	Mode	Volt (V)	Ph Ø	Amps (A)	HP	Weight	
						kg	lbs
N88	Non-Auto	115	1	8.5	3/4	11.4	25.1
M88	Auto-Vertical	115	1	8.5	3/4	11.7	25.8
WM88	Auto-Tethered	115	1	8.5	3/4	11.6	25.6
E88	Non-Auto	230	1	3.6	3/4	11.4	25.1
D88	Auto-Vertical	230	1	3.6	3/4	11.7	25.8
WD88	Auto-Tethered	230	1	3.6	3/4	11.6	25.6
BL88	Non-Auto	220	1	3.6	3/4	11.4	25.1
BK88	Auto-Vertical	220	1	3.6	3/4	11.7	25.8
WB88	Auto-Tethered	220	1	3.6	3/4	11.6	25.6



**50 Hz**

Model	Mode	Volt (V)	Ph Ø	Amps (A)	Motor		Weight	
					kW (p1)	HP	kg	lbs
V88	Non-Auto	220	1	3.8	0.76	3/4	11.4	25.1
U88	Auto-Vertical	220	1	3.8	0.76	3/4	11.7	25.8
WU88	Auto-Tethered	220	1	3.8	0.76	3/4	11.6	25.6

**CE** \*Intended for indoor use only.



Product information presented here reflects conditions at time of publication. Consult factory regarding discrepancies or inconsistencies.

