

Model 222

50 Hz 60 Hz

Submersible Sewage Pump

Features:

- Thermal overload protected motor and rugged cast iron motor housing for long life
- Highly efficient motor; oil-filled for enhanced heat dissipation
- Engineered thermoplastic and stainless steel components provide improved corrosion resistance
- Vent hole prevents air lock
- Non-clogging vortex impeller passes up to 2" (50 mm) spherical solids
- Carrying handle for convenient pump placement
- Standard 9' (2.7 m) cord. CE 14.7' (4.5 m). 33' (10 m), 20' (6.1 m) cord available upon request
- Maximum operating water temperature 104 °F (40 °C)
- Vertical switch on/off point: on: 9-1/2" (241 mm), off: 5-1/2" (140 mm)
- Tethered switch on/off point: on: 14-9/16" (370 mm), off: 6-7/8" (175 mm)
- Non-auto model removes water from dry flat surface down to 2-9/16" (65 mm)

Applications:

- Wastewater removal for residential septic systems
- Factory wastewater removal
- Wastewater removal for livestock
- Wastewater removal containing solids
- General wastewater removal
- Intended for indoor use only

100% factory tested



Trusted. Tested. Tough.™



Non-Automatic

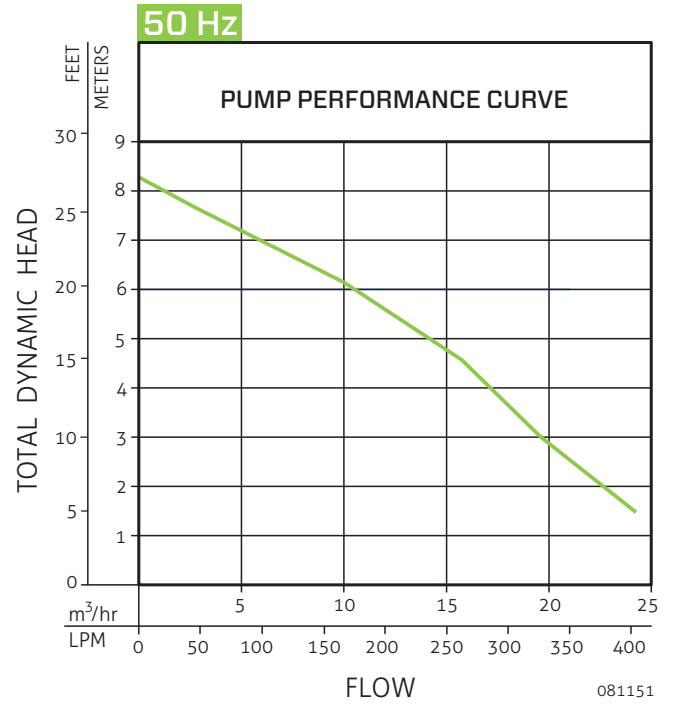
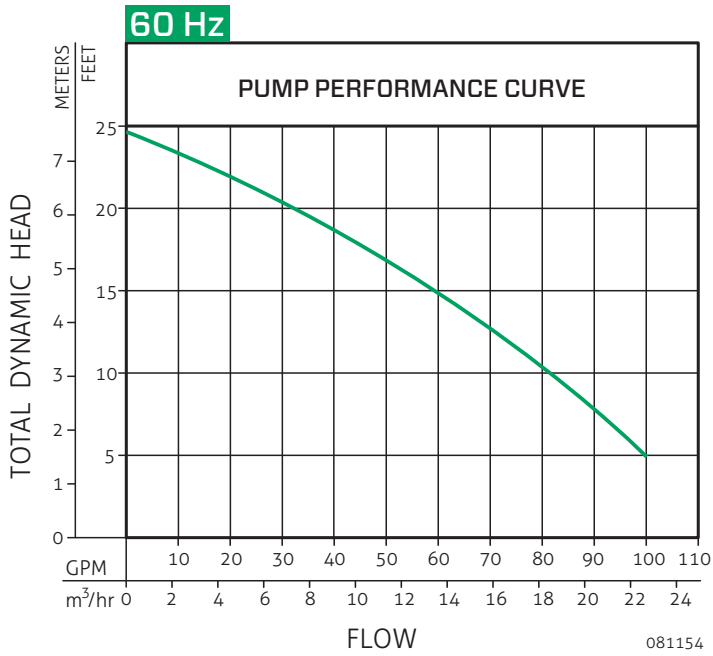


Automatic
(Vertical Switch)



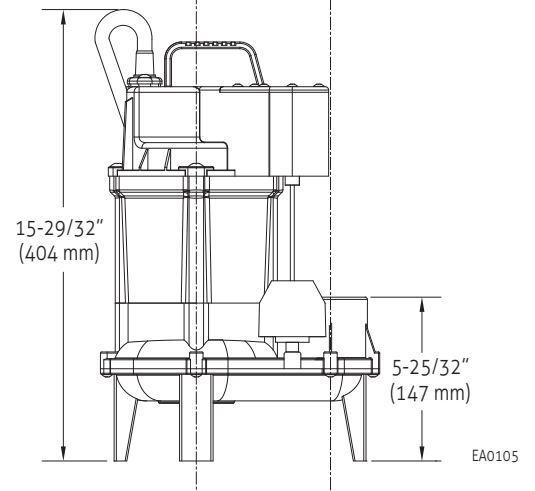
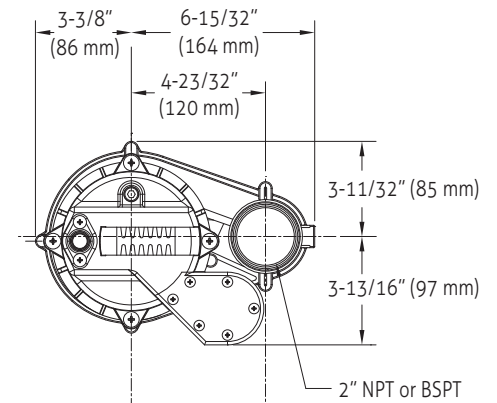
Automatic
(Tethered Switch)

ZT0047_Ec
0418
Supersedes
1214



60 Hz

Model	Mode	Volt (V)	Ph Ø	Amps (A)	HP	Weight	
						kg	lbs
N222	Non-Auto	115	1	9.5	3/4	8.8	19.4
M222	Auto-Vertical	115	1	9.5	3/4	9.0	19.8
WM222	Auto-Tethered	115	1	9.5	3/4	9.1	20.1
E222	Non-Auto	230	1	4.0	3/4	8.8	19.4
D222	Auto-Vertical	230	1	4.0	3/4	9.0	19.8
WD222	Auto-Tethered	230	1	4.0	3/4	9.1	20.1
BL222	Non-Auto	220	1	4.0	3/4	8.8	19.4
BK222	Auto-Vertical	220	1	4.0	3/4	9.0	19.8
WB222	Auto-Tethered	220	1	4.0	3/4	9.1	20.1



50 Hz

Model	Mode	Volt (V)	Ph Ø	Amps (A)	Motor		Weight	
					kW (p1)	HP	kg	lbs
V222	Non-Auto	220	1	5.2	1.03	3/4	8.8	19.4
U222	Auto-Vertical	220	1	5.2	1.03	3/4	9.0	19.8
WU222	Auto-Tethered	220	1	5.2	1.03	3/4	9.1	20.1



Product information presented here reflects conditions at time of publication. Consult factory regarding discrepancies or inconsistencies.

