

Trusted. Tested. Tough<sup>®</sup>

Product information presented here reflects conditions at time of publication. Consult factory regarding discrepancies or inconsistencies.



**60 Hz**

Visit our website:  
[www.zoellerpumps.com](http://www.zoellerpumps.com)

Register your  
Zoeller Pump Company  
Product on our website:  
<http://reg.zoellerpumps.com/>



# QWIK JON<sup>®</sup> CHOICE 200 SYSTEM

## INSTALLATION INSTRUCTIONS PREINSTALLATION CHECKLIST

1. Inspect all materials. Occasionally, products are damaged during shipment. If the unit is damaged, contact your dealer before using. **DO NOT** remove the test plugs from the pump.
2. Carefully read all the literature provided to familiarize yourself with specific details regarding installation and use. These materials should be retained for future reference.



### SEE BELOW FOR LIST OF WARNINGS

1. To reduce the risk of electrical shock, a properly grounded receptacle or control box must be installed in accordance with the governing codes. Never remove ground pin from plug.
2. Make certain that the ground fault interrupter protected receptacle or control box is within the reach of the pump's power supply cord. **DO NOT USE AN EXTENSION CORD.** Extension cords that are too long or too light do not deliver sufficient voltage to the pump motor, and they could present a safety hazard if the insulation were to become damaged or the connection end were to fall into a damp or wet area.
3. Make sure the pump's electrical supply circuit is equipped with fuses or circuit breakers of proper capacity. A separate branch circuit is recommended, sized according to the governing electrical codes for the current shown on the pump name plate.
4. **Testing for ground.** As a safety measure, each electrical outlet should be checked for ground using an Underwriters Laboratory Listed circuit analyzer which will indicate if the power, neutral and ground wires are correctly connected to your outlet. If they are not, call a qualified licensed electrician.
5. **FOR YOUR PROTECTION, ALWAYS DISCONNECT PUMP FROM ITS POWER SOURCE BEFORE HANDLING.** If pump is wired direct, de-energize the circuit at the control box. **DO NOT, UNDER ANY CIRCUMSTANCES, REMOVE THE GROUND PIN.** Wear insulated protective shoes and do not stand in water. Certain plug types may include a 3-prong ground plug to help protect against electrical shock. A properly grounded 3-prong receptacle or control box must be installed in accordance with governing codes.
6. Installation and servicing of the pump's electrical circuits and hardware should only be performed by a qualified licensed electrician.
7. Installation and maintenance of this appliance is not intended for persons (including children) with reduced physical, sensory or mental capabilities, or lack of experience or knowledge, unless they have been given supervision or instruction concerning use of the appliance by a person responsible for their safety.
8. **Risk of electrical shock.** Do not remove power supply cord and strain relief or connect conduit directly to the pump. If the supply cable is damaged, it must be replaced by an authorized Zoeller Representative.
9. Pump contains oil which becomes pressurized and hot when operating. Allow 2-1/2 hours after disconnecting before attempting service.
10. Pump is not intended for potable water due to possible contamination by oil contained in the pump.
11. **Risk of electrical shock.** These pumps have not been investigated for use in swimming pools and marine areas.

## SAFETY INSTRUCTIONS

**TO AVOID SERIOUS OR FATAL PERSONAL INJURY OR MAJOR PROPERTY DAMAGE, READ AND FOLLOW ALL SAFETY INSTRUCTIONS IN THIS MANUAL AND ON THE PUMP.**

**THIS MANUAL IS INTENDED TO ASSIST IN THE INSTALLATION AND OPERATION OF THIS UNIT AND MUST BE KEPT WITH THE PUMP.**



This is a **SAFETY ALERT SYMBOL.** Symbol on the pump or in the manual, look for one of the following signal words and be alert to the potential for personal injury or property damage.



**WARNING** Warns of hazards that **CAN** cause serious personal injury, death or major property damage.



**CAUTION** Warns of hazards that **CAN** cause personal injury or property damage.



Warns of electrical shock hazards that can cause serious personal injury, death or major property damage.



Identifies any terminal which is intended for connection to an external conductor for protection against electrical shock in case of a fault, or the terminal of a protective earth (ground) electrode.



Read operator's manual.

**THOROUGHLY REVIEW ALL INSTRUCTIONS AND WARNINGS PRIOR TO PERFORMING ANY WORK ON THIS PUMP. MAINTAIN ALL SAFETY DECALS.**

REFER TO WARRANTY ON PAGE 2.

## **CAUTION**

### SEE BELOW FOR LIST OF CAUTIONS

1. This unit is not designed to handle any material other than human waste and toilet paper. The list of items that should not be used with this system includes, but is not limited to: feminine sanitary products, condoms, cotton balls and swabs, baby wipes, paper towels, etc.
2. Check to be sure your power source is adequate to handle the amperage requirements of the motor as indicated on the pump or unit I.D. tag.
3. All plumbing (discharge and carbon filter vent) must be installed to meet local codes. **Unit must be vented. Do not use an automatic plumbing vent device.**
4. Maximum operating temperature must not exceed 40 °C (104 °F).
5. Do not use cleaning products containing bleach in the toilet tank, toilet or attached fixtures as they will degrade the pump seals.
6. **This product is designed for use with one toilet only.**
7. Conductor color coding: Type 1 - Line (Brown), Neutral (Blue), Ground (Yellow / Green). Type 2 - Line (Black), Neutral (White), Ground (Green).
8. Electrical control box or electrical box are waterproof required.
9. Prop65 Warning for California residents: Cancer and Reproductive Harm-  
[www.P65Warnings.ca.gov](http://www.P65Warnings.ca.gov).

## **NOTES**

### SEE BELOW FOR LIST OF NOTES

1. Repair and service should be performed by an Authorized Service and Warranty Center only. (Consult Factory.)
2. NOTE: Consult Factory if installation is above 6.1 m (20') vertical height in DN25 (1") pipe. The macerator pump is designed for use in Qwik Jon® Choice units only. It is not designed for use in any other application.
3. Pumps with the "cCSAus" mark and/or the "US" mark are tested to UL Standard UL778. Pumps with the "cCSAus" mark are certified to CSA Standard C22.2 No.108.
4. All fixtures connecting to the system must be on the same floor level.

## **LIMITED WARRANTY**

Manufacturer warrants, to the purchaser and subsequent owner during the warranty period, every new product to be free from defects in material and workmanship under normal use and service, when properly used and maintained, for a period of two years from date of purchase by the end user, that inspections determine to be defective. Proof of purchase is required. Inspections determine to be defective in material or workmanship, will be repaired, replaced or remanufactured at Manufacturer's option, provided however, that by so doing we will not be obligated to replace an entire assembly, the entire mechanism or the complete unit. Fill and flush mechanism are guaranteed as per OEM warranty only and vitreous china are guaranteed only for a factory defect. No allowance will be made for shipping charges, damages, labor or other charges that may occur due to product failure, repair or replacement. This warranty does not apply to and there shall be no warranty for any material or product that has been disassembled without prior approval of Manufacturer, subjected to misuse, misapplication, neglect, alteration, accident or uncontrolled weather event; that has not been installed, operated or maintained in accordance with Manufacturer's installation instructions; that has been exposed to outside substances including but not limited to the following: sand, gravel, cement, mud tar, hydrocarbons, hydrocarbon derivatives (oil, gasoline, solvents, etc.), or other

abrasive or corrosive substances, wash towels or any other abusive entity, etc. in all pumping applications. The warranty set out in the paragraph above is in lieu of all other warranties expressed or implied; and we do not authorize any representative or other person to assume for us any other liability in connection with our products.

Contact authorized distributors to obtain any needed repair or replacement of part(s) or additional information pertaining to our warranty.

**MANUFACTURER EXPRESSLY DISCLAIMS LIABILITY FOR SPECIAL, CONSEQUENTIAL OR INCIDENTAL DAMAGES OR BREACH OF EXPRESSED OR IMPLIED WARRANTY; AND ANY IMPLIED WARRANTY OF FITNESS FOR A PARTICULAR PURPOSE AND OF MERCHANTABILITY SHALL BE LIMITED TO THE DURATION OF THE EXPRESSED WARRANTY.**

Some jurisdictions do not allow limitations on the duration of an implied warranty, so the above limitation may not apply to you. Some jurisdictions do not allow the exclusion or limitation of incidental or consequential damages, so the above limitation or exclusion may not apply to you. This warranty gives you specific legal rights and you may also have other rights which vary from jurisdiction to jurisdiction.

**In those instances where damages are incurred as a result of an alleged pump failure, the Homeowner must retain possession of the pump for investigation purposes.**

## **HELPFUL HINTS FOR EASY INSTALLATION**

1. Read all instructions before beginning installation.
2. Be sure the floor is level within 3 mm (1/8").
3. Install vent pipe seal with flange side of seal on the outside of lid.
4. Use soapy water to lubricate all seals to aid installation.
5. Install rubber coupling/union in vent line to aid disassembly.
6. Do not over torque toilet mounting screws.
7. Do not use an automatic plumbing vent device.
8. Obtain model number and date code, and record information in the space provided on the front of this manual. Refer to this information when calling the factory.

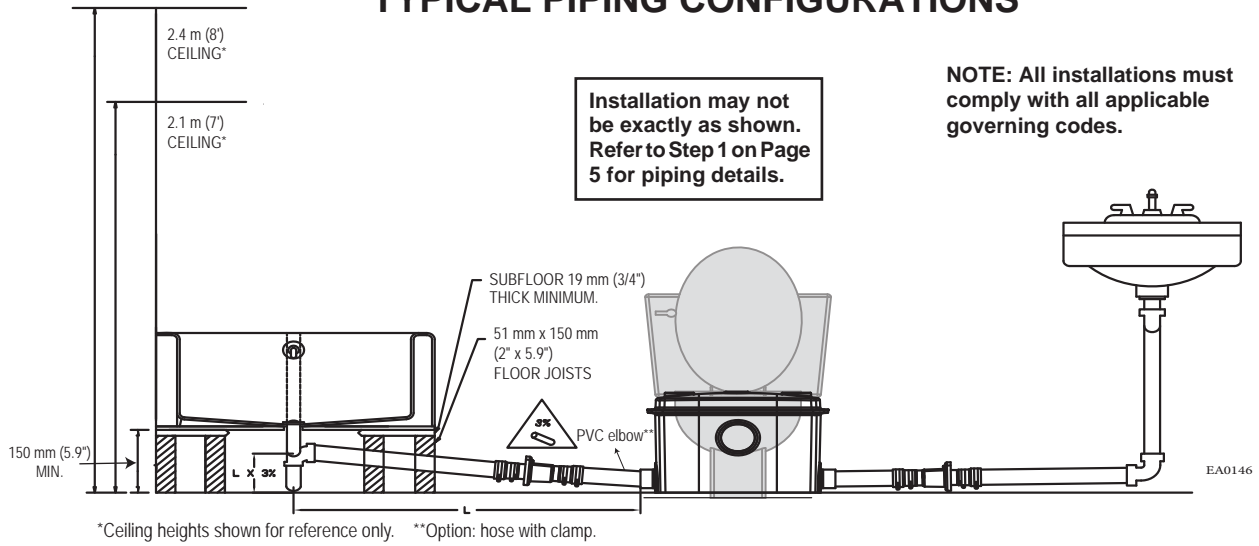
## **DO'S AND DON'T'S FOR INSTALLING A UNIT**

1. DO read all installation material with the unit.
2. DO inspect unit for any visible damage caused by shipping. Contact dealer if unit appears to be damaged.

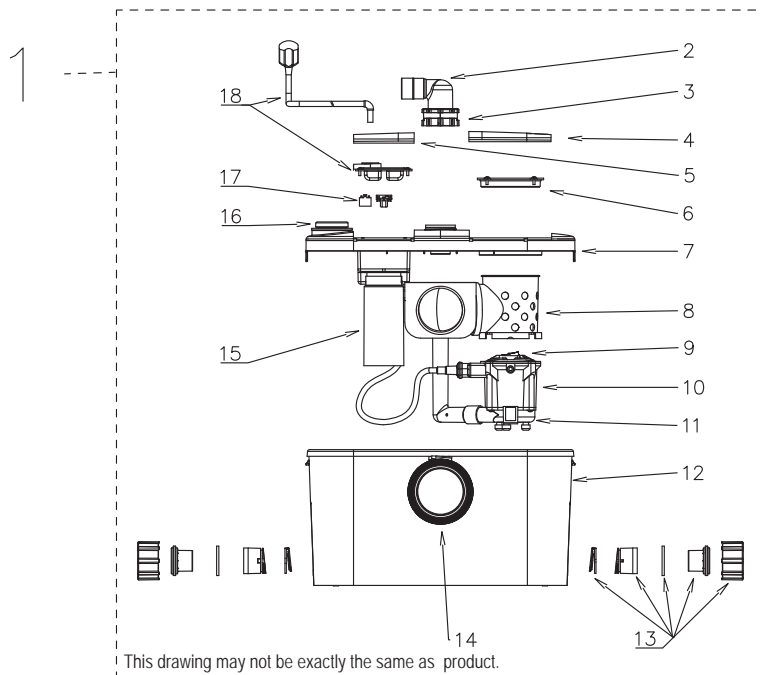
## **DO'S AND DON'T'S, *continued***

3. DO clean all visible debris from the unit.
4. DO always disconnect pump from power source before handling. DO always connect to a separately protected and properly grounded ground fault protected circuit. DO NOT ever cut, splice or damage power cord. DO NOT carry or lift pump by its power cord. DO NOT use an extension cord.
5. DO install a ball or gate valve and a union in the discharge line downstream of the check valve.
6. DO test pump immediately after installation to be sure that the system is working properly.
7. DO review all applicable local and national codes and verify that the installation conforms to each of them.
8. We DO NOT recommend this product be connected to utilities other than those found in a normal bathroom application. Washing machines and dishwashers are examples of equipment that we DO NOT recommend.
9. DO inspect and test system for proper operations at least every 3 months.

# TYPICAL PIPING CONFIGURATIONS



## SERVICE PARTS



Item	Description	115 V Repair Kit or Part Number	220 V Repair Kit or Part Number
1	Qwik Jon Choice® Sewage Removal System	200-0007	200-0008
2	Outlet Pipe Assembly Repair Kit	084839	084839
3	Check Valve Assembly Repair Kit	084854	084854
4	Decorative Cover of the Pump Repair Kit	084855	084855
5	Decorative Cover of the Junction Box Repair Kit	084856	085173
6	Pump Repair Cover Repair Kit	084846	085174
7	Tank Cover Repair Kit	084847	084847
8	Filter Basket and Inlet Elbow Pipe Repair Kit	084848	084848
9	Cutter Set Repair Kit	084844	084844
10	Pump, Discharge Elbow Pipe, and Volute Repair Kit	084852	085175
11	Volute, Discharge Elbow Pipe, Foot Pads, Securing Pads, and Screws Repair Kit	084850	084850
12	Tank Repair Kit	084851	084851
13	Side Inlet Valve Repair Kit	085087	085176
14	Bellow Repair Kit	084840	084840
15	Float Repair Kit	084841	084841
16	Vent Valve Repair Kit	084858	084858
17	Capacitor and Circuit Board Repair Kit	084859	084842
18	Junction Box Repair Kit	084860	085177

## TROUBLESHOOTING

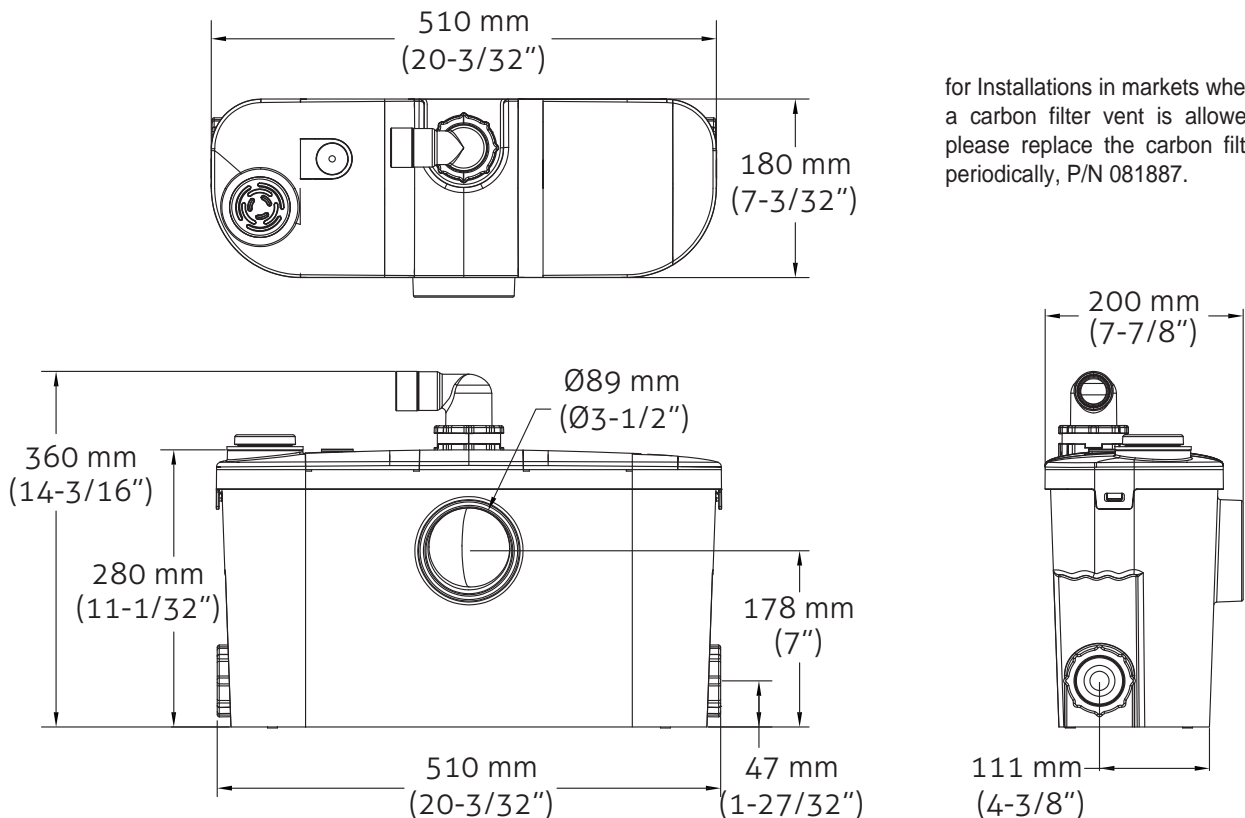
CONDITION	POSSIBLE CAUSE	REMEDY
<b>A. PUMP WILL NOT START OR RUN.</b>	Low voltage, open circuit, failed capacitor.	Have a qualified electrician check the circuit.
	Impeller bound and cutter bound.	Contact a Zoeller Authorized Service and Warranty Center.
	Motor or wiring shorted.	
	Debris on float switch.	Remove debris.
<b>B. PUMP WILL NOT SHUT OFF OR RUNS TOO LONG BEFORE WATER IS PUMPED.</b>	Debris under float.	Remove debris from around float.
	Faulty float switch	Contact a Zoeller Authorized Service and Warranty Center.
	Pump is air locked.	Make sure vent hole in discharge pipe is clear.
	Waste material has accumulated blocking flow of material to pump intake.	Hold flush handle down on toilet for 15 seconds. If unit will not clear, unplug and wait for 30 minutes. Plug unit back in and repeat. If unit still will not turn off, it will need to be opened and the debris removed.
<b>C. PUMP OPERATES BUT DELIVERS LITTLE OR NO WATER</b>	Debris around intake.	Clean area around intake.
	Blockage in discharge pipe.	Remove pipe and flush out debris.
	Low or incorrect voltage.	Have a qualified electrician check house wiring.
	Damaged Impeller.	Contact a Zoeller Authorized Service and Warranty Center.
	Incorrect float adjustment.	Contact Product Support Department.
	Pump is air locked.	Make sure vent hole in discharge pipe is clear.
	Vertical lift too high.	Change discharge piping or contact Product Support Department.

If the above checklist does not solve the problem, consult the Zoeller Product Support Department by [sales@zoeller.com.tw](mailto:sales@zoeller.com.tw)

Do not attempt to service or otherwise disassemble pump.

Care of finish: soap and water is all that is recommended for cleaning the outside of the tank. Other cleaning products may cause discoloration and scratching.

## DIMENSIONS



for Installations in markets where a carbon filter vent is allowed, please replace the carbon filter periodically, P/N 081887.

## STEP 1

## LOCATION SELECTION

Plan your new installation carefully.

**Floor:** The floor should be structurally sound and level within 3 mm (1/8"). If the floor is not level, use hydraulic cement or similar material to level to the floor.

**Water:** A water supply will be needed to operate the toilet. Usually a DN15 (1/2") line with a shut-off valve is sufficient.

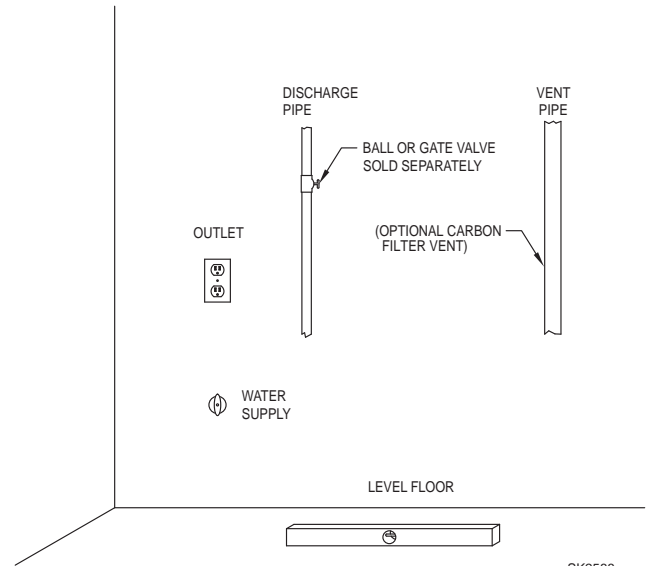
**Electrical:** A receptacle of the appropriate voltage will be needed to supply electrical power to the pump.

**Sewage:** Access to a sewage line is required. The Qwik Jon® Choice requires a DN25 (1") (or DN20 [3/4"] if local code allows it) sewage discharge line to connect to an existing sewage line. A ball or gate valve should be installed in the discharge line.

**Vent:** Access to a vent pipe is required in some markets. The use of a mechanical vent system is NOT recommended as the toilet will not flush.

**Optional carbon filter vent:** Please replace the carbon filter periodically. The use of a mechanical vent system is NOT recommended as the toilet will not flush.

**NOTE:** If a built-in installation is to be used, locate the pump unit in an area that will allow access to the pump and switch.



Always disconnect power source before attempting to install, service, or maintain the system.

Never handle a pump with wet hands or when standing on wet or damp surface or in water. Fatal electrical shock could occur.



QWIK JON® CHOICE  
MODEL 200

## STEP 2

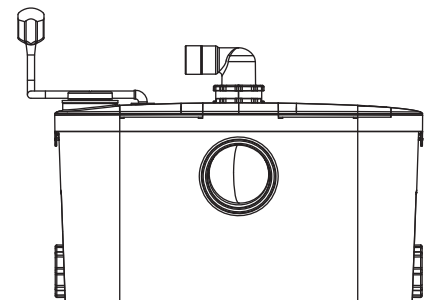
## LEVELING OF PUMP UNIT

### ⚠ CAUTION

Do not use wooden shims to level the pump unit!

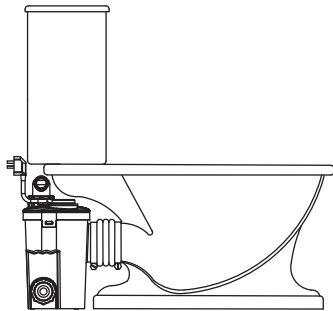
Ensure that nails, screws or other sharp objects do not puncture the pump unit!

Level the pump unit to within 3 mm (1/8") using hydraulic cement or similar material.



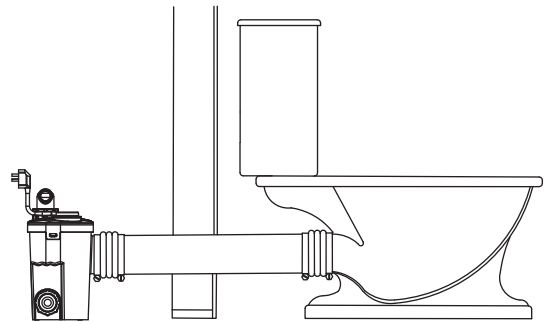
**(STAND-ALONE INSTALLATION)**

- 1) Position the pump unit a minimum of 3 mm (1/8") from the wall with the inlet facing away from the wall. Attach the bellows to the inlet using the worm drive clamp provided.
- 2) Place the toilet in front of pump unit aligning the discharge of the toilet with the inlet of the pump unit. Make sure that the bellows will bridge the gap adequately for final installation. The toilet tank should be a minimum of 13 mm (1/2") from the wall.
- 3) Lightly mark the locations of the pump unit, toilet and closet bolt locations on the floor. Lightly mark the wall with the height of the pump unit and the bottom and sides of the toilet tank to ensure against interference from pipe runs later.
- 4) Remove the toilet from the pump unit and set it aside.

**(BEHIND THE WALL INSTALLATION)**

- 1) Installing the pump unit behind a wall will require an extension kit (P/N 10-3050) sold separately.
- 2) Place the toilet assembly a minimum of 13 mm (1/2") from the wall and mark the closet bolt locations on the floor.
- 3) Measure the appropriate length of 3-1/2" Schedule 40 PVC pipe provided with the extension kit and cut it to length. See sketch below.
- 4) Set toilet aside.

**⚠ CAUTION** Toilet assembly is top heavy. Take special precautions to ensure that toilet does not tip over and break.



Connect the rear discharge toilet to the front inlet of the Qwik Jon® Choice via worm drive hose clamps. Ensure the connections are according to local, regional, and state codes.



\*These drawings are for reference only.  
Exact components may differ by region.

1. Cut and dry-fit the pipe and fittings as required for DN25 (1") diameter discharge pipe (may be reduced to DN20 [3/4"] diameter if local code allows it.)
2. While dry-fitting the discharge pipe, position and mark the location of the pump unit discharge fitting.
3. Cut and dry-fit DN40 (1-1/2") vent pipe as required to ensure that the vent pipe does not interfere with other components. Make the connection to the pump unit with the provided street elbow. A 2" x 1" 90° discharge fitting has been provided. However, it may be easier to pipe straight up depending on the installation.

**CAUTION** Proper venting is required.

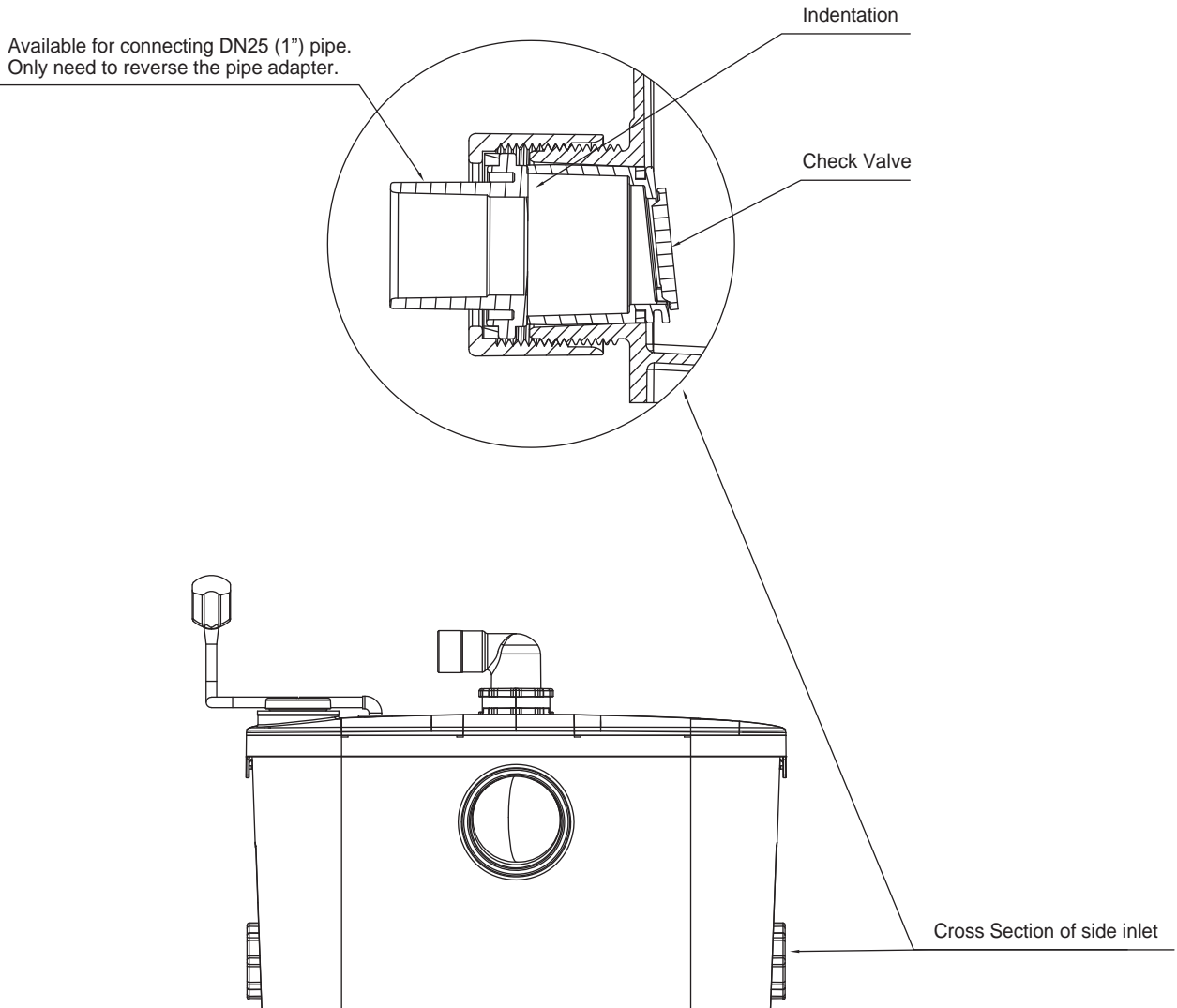
4. Temporarily set the toilet in place to check that there is no piping interference. Remove the toilet and set it aside.
5. Clean, prime and solvent weld the discharge piping and pump unit discharge fitting.

**CAUTION** When applying solvent weld to discharge fitting, ensure that none gets into the check valve assembly. Pay close attention to the proper alignment of the discharge fitting previously marked.

6. For markets requiring a pipe vent, clean and solvent weld the vent piping as required for proper venting.
7. Optional carbon filter vent:  
For markets where a carbon filter vent is allowed, please replace the carbon filter periodically to keep ventilation functioning properly.

**Note:** Adding other bathroom fixtures - The Qwik Jon® Choice is designed to accept additional bathroom fixtures utilizing the two side inlets. Available for connecting DN25 (1") pipe. Simply reverse the pipe adaptor and cut out the molded-in plug at the provided indentation.

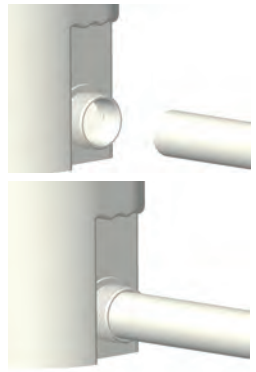
**CAUTION** Cut cleanly and remove burrs and rough edges to avoid the potential for clogging.



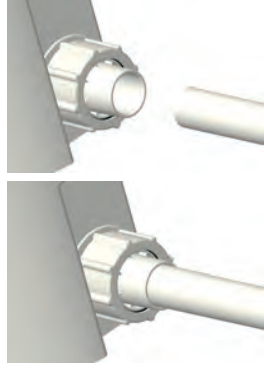
Connect the desired discharge inlets to the side of the Qwik Jon® Choice. Notice the side inputs have built in check valves and are compatible with many tubing sizes. Ensure the connections are according to local, regional, and state codes.



\*These drawings are for reference only.  
Exact components may differ by region.



US market



Taiwan market

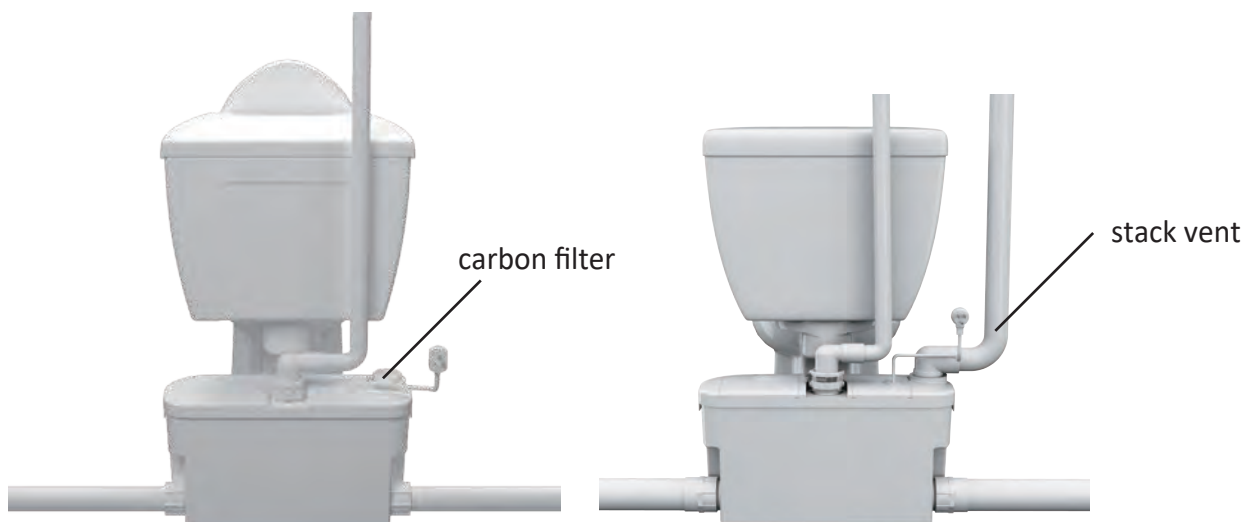
Connect the discharge pipe to the top of the Qwik Jon® Choice.



\*These drawings are for reference only.  
Exact components may differ by region.



Connect all the inlet piping to the Qwik Jon® Choice if desired



\*These drawings are for reference only.  
Exact components may differ by region.

## STEP 5

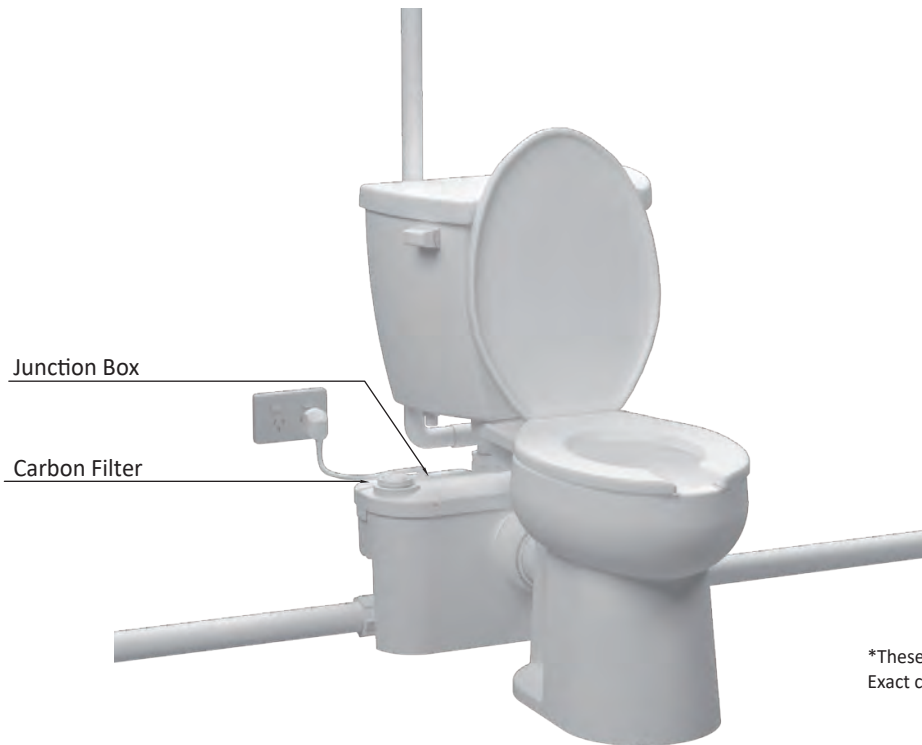
## POWER

Plug the power cord into a wall socket to provide power to the unit.

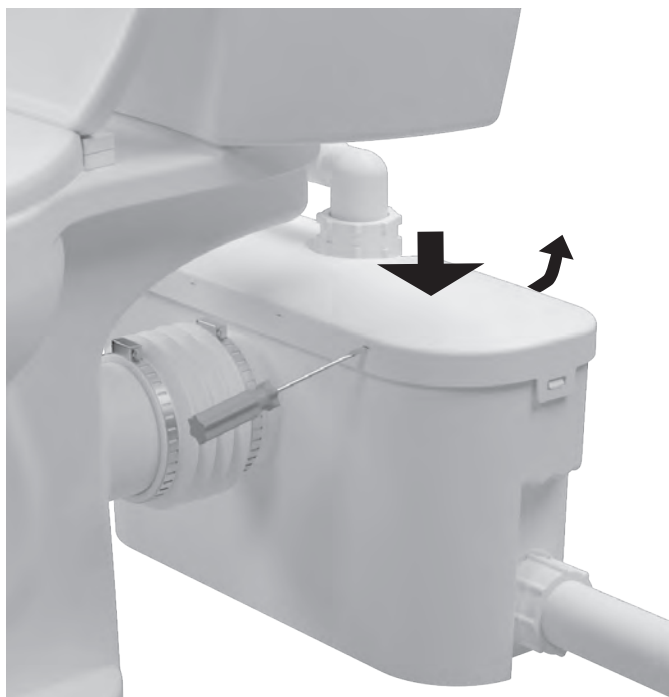


\*These drawings are for reference only.  
Exact components may differ by region.

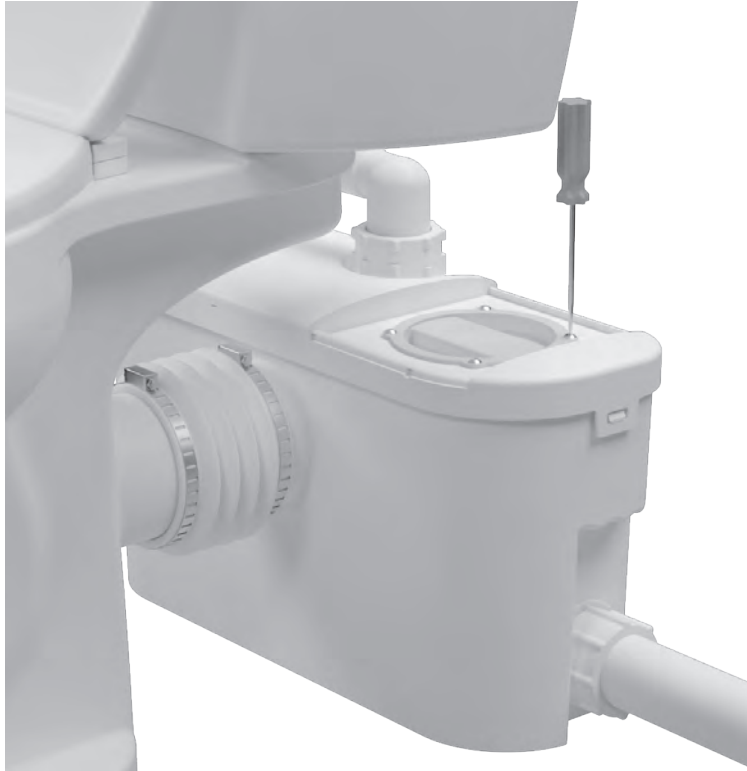
**WARNING -** Mechanical and Electrical Hazard. **Disconnect power** prior to maintenance or opening. This equipment is only to be serviced and maintained by a qualified professional.



Pry the decorative cover open with a screw driver.  
Or press down on the center of the decorative cover and lift the side up.



Unscrew the protective lid of the macerating basket with a screw driver.



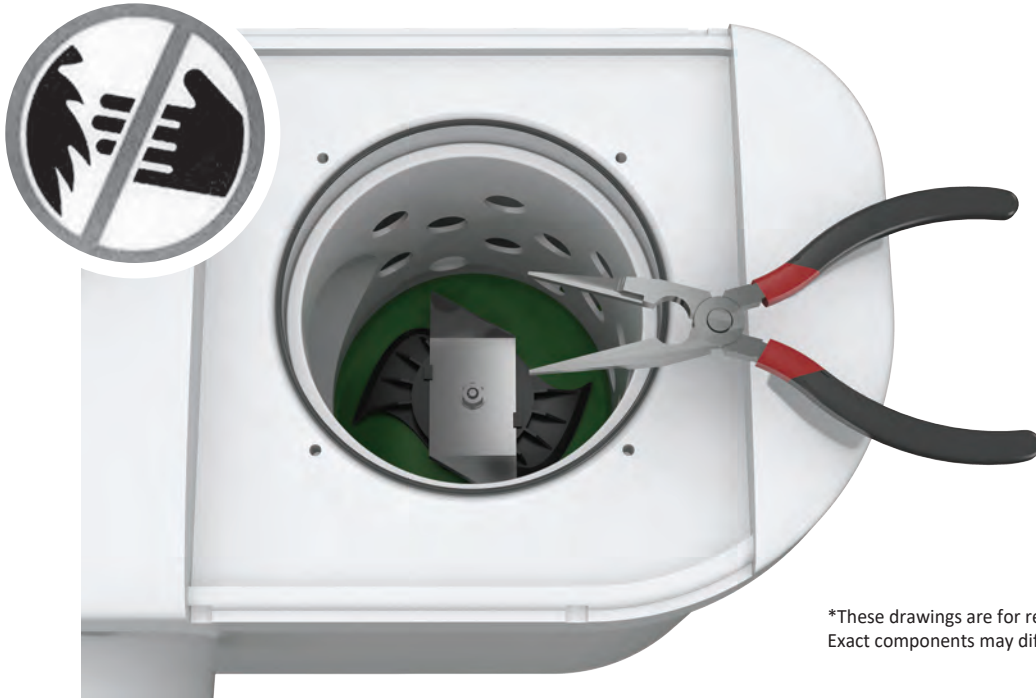
\*These drawings are for reference only.  
Exact components may differ by region.

Open the macerating basket by removing the protective lid.



\*These drawings are for reference only.  
Exact components may differ by region.

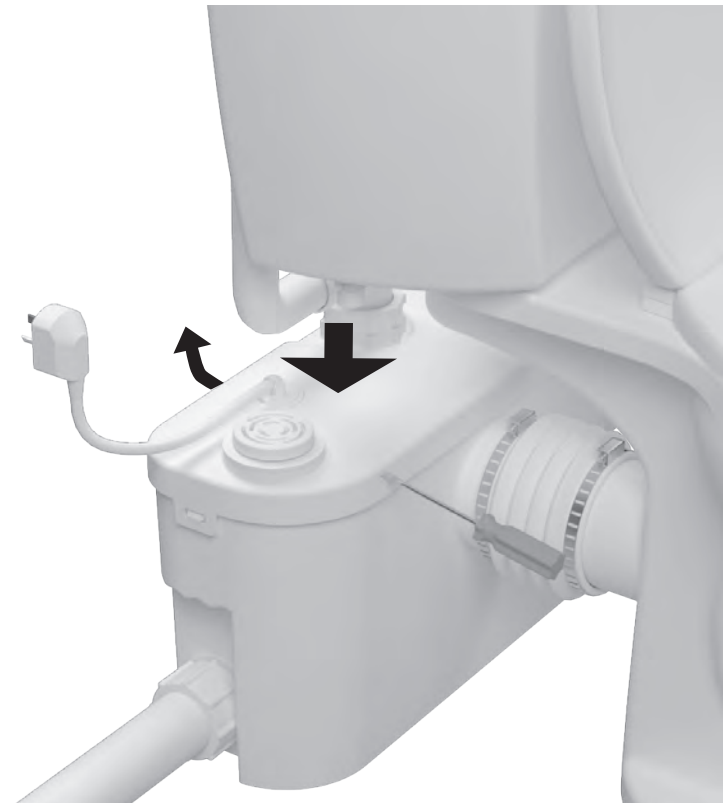
**DANGER** - Mechanical Hazard. Integrated cutting system with sharp edges.  
Do not reach into macerating tank or basket – injury can occur.  
Use tools such as needle nose pliers to retrieve debris in the macerating basket.



\*These drawings are for reference only.  
Exact components may differ by region.

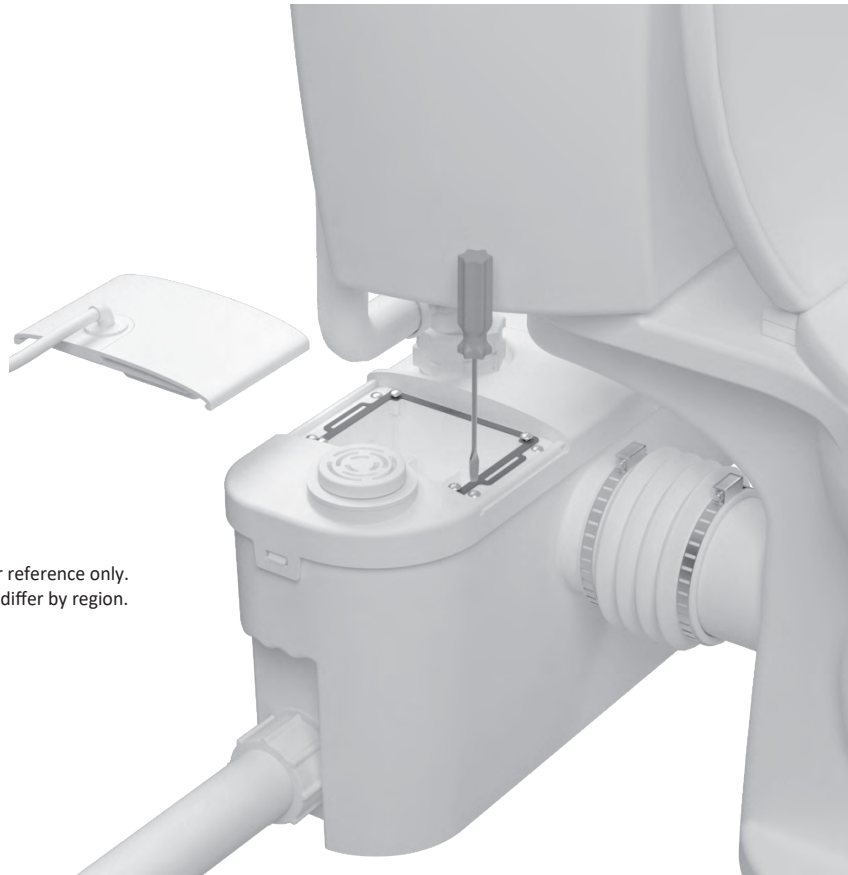
#### ACCESSING THE JUNCTION BOX

Pry the decorative cover open with a screw driver.  
Or press down on the center of the decorative cover and lift the side up.



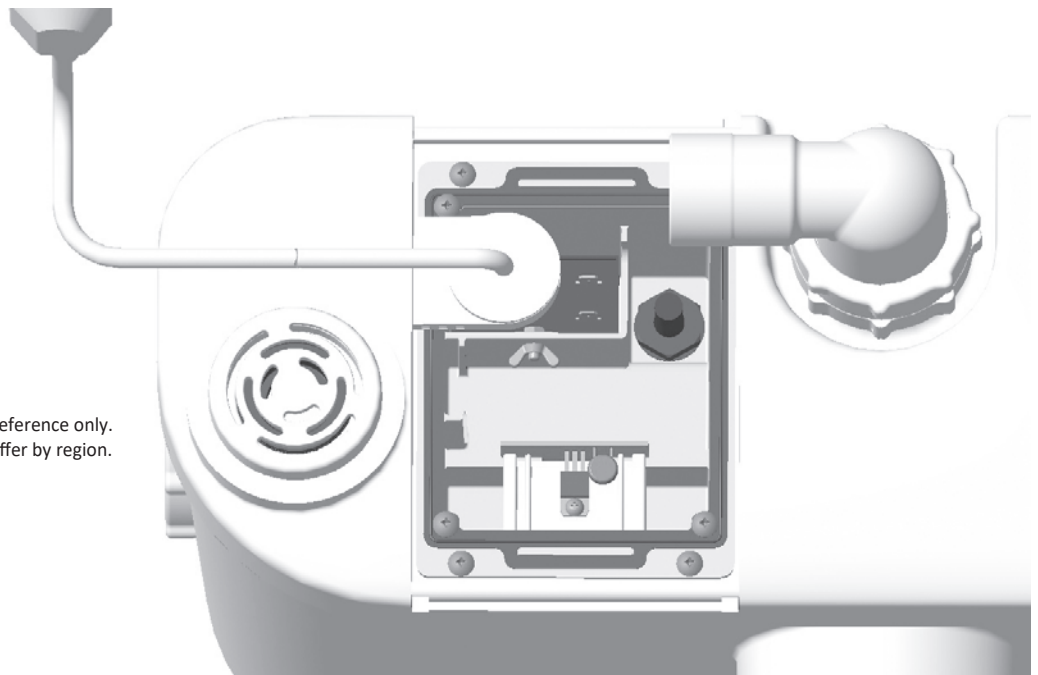
\*These drawings are for reference only.  
Exact components may differ by region.

Unscrew the lid of the junction box with a screw driver for access to the capacitor and float switch.



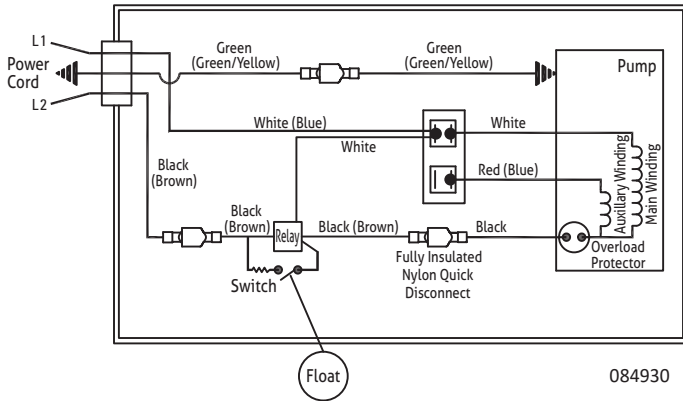
\*These drawings are for reference only.  
Exact components may differ by region.

The junction box can be accessed to replace the capacitor or troubleshoot the system.

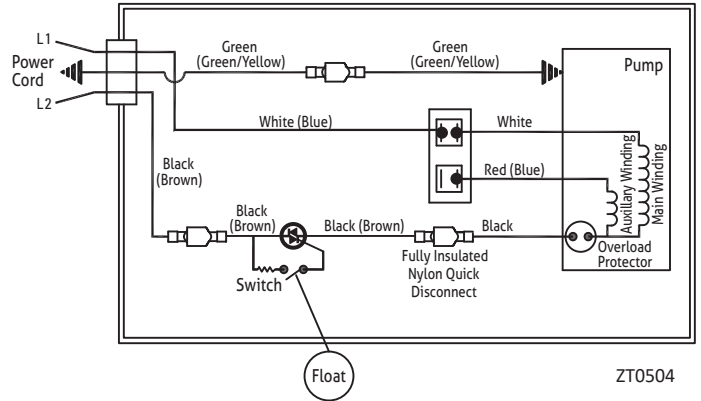


\*These drawings are for reference only.  
Exact components may differ by region.

115V



220V



\*Close up view of the nylon fully-insulated connectors.

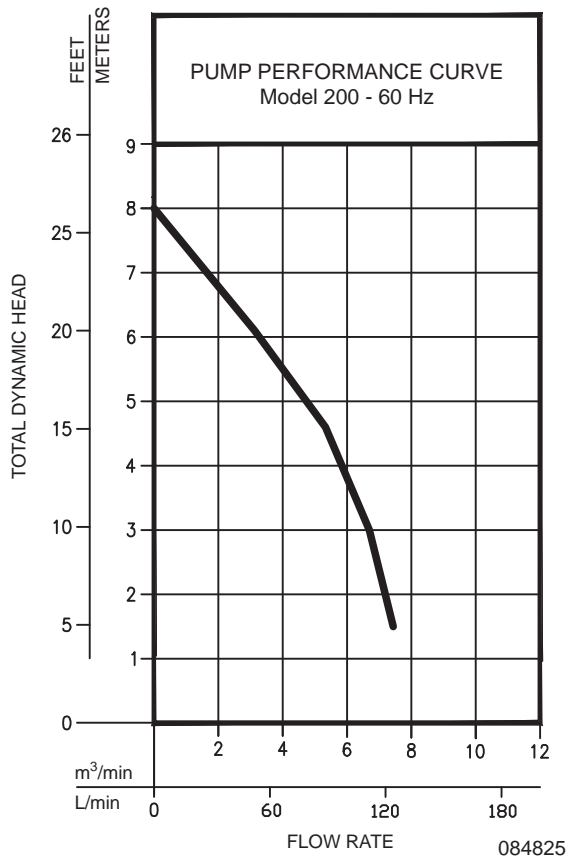
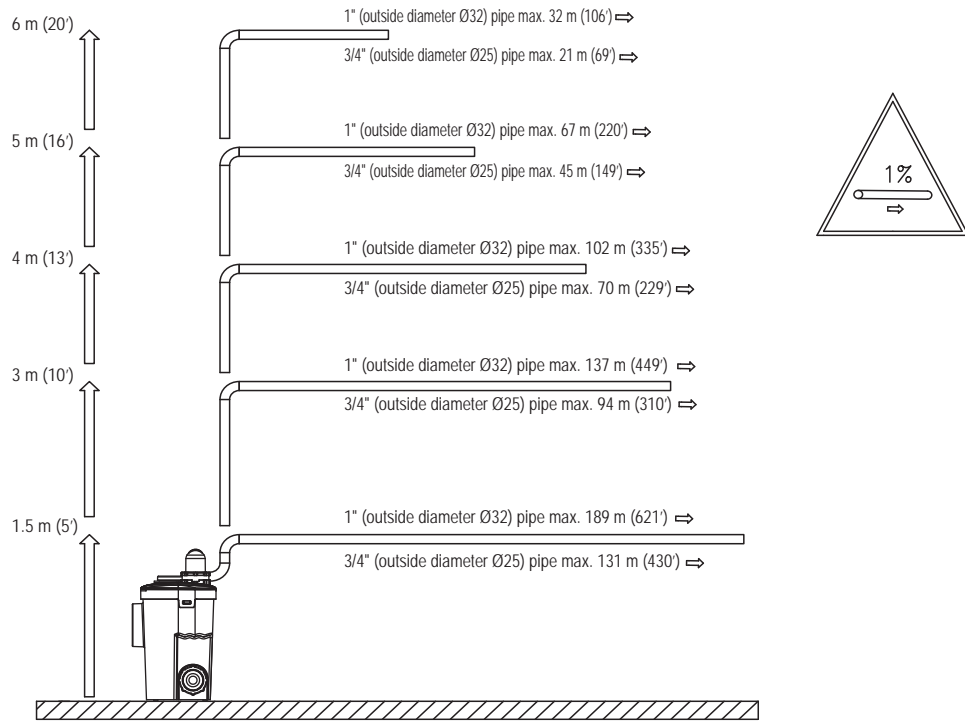
The junction box can be further removed by unscrewing the top screws for access to the float switch sleeve and tank internal.



\*These drawings are for reference only. Exact components may differ by region.

# STEP 7

# Pump Performance



TOTAL DYNAMIC HEAD / FLOW			
MODEL 200		115V / 220V	
Meters	Feet	m <sup>3</sup> / hr	LPM
1.5	5	7.5	124.6
3.0	10	6.7	112.0
4.6	15	5.3	87.6
6.1	20	3.2	54.0
Shut-off Head:		8.0m (26.25ft)	

# 安裝前務必詳讀說明書

Trusted. Tested. Tough.®

文件僅供參考  
若有任何修改  
恕不另行通知

請至美國卓勒泵浦公司  
官網完成您的產品註冊



60 Hz

Visit our website:  
[www.zoellerpumps.com](http://www.zoellerpumps.com)

## 安裝說明書 QWIK JON® CHOICE 200 安裝前檢查

1. 安裝前請仔細檢查所有零件。產品如果在運中損，請快聯絡經銷商。
2. 安裝前仔細閱讀所有提供的文件，熟悉安裝細節，並保存資料以供未來參考。



警告

1. 為防範使用者觸電，本公司所有產品皆配有包含接地功能的電線及三插插頭。為確保安全，請勿將插頭的接地插銷拔除，並確認將插頭插入符合國內電工法規的漏電保護插座。
2. 為確保安全請勿使用延長線。加裝延長線容易使泵浦馬達接收不到足夠的電壓。更重要的是，若延長線的絕緣遭破壞、或插頭鬆脫掉入水中，將可能造成危險。
3. 請確認在供給泵浦電源的電路中加裝適當規格的保險絲或斷路器。在此建議依照泵浦銘牌上的電流值，並參照國內電工法則來選擇及安裝獨立的斷路器。
4. 請在安裝前測試插座的漏電保護功能。為了安全考量，請使用符合國內電工法規的電路測試儀器來檢查插座中的火線、中性線及地線是否配置正確。若發現異常，請聯絡合格的水電技師來為您解決問題。
5. 為增加安全性使用漏電保護裝置，建議漏電流不超過30mA。
6. 僅允許由持有證照的合格水電技師來進行泵浦安裝、管路搭配及電路配線。
7. 為避免觸電，請勿移除電纜線。
8. 為了保護您的安全，接觸泵浦前請先拔除電源。
9. 為防範觸電，本產品勿用於游泳池。
10. 如果電纜線受損，請聯絡經銷商或本公司核可的服務單位維修。
11. 若無監督本產品不適合給兒童、心智不健全或經驗不足者使用，前述條件者使用本產品時，監督者應負全部安全責任。
12. 泵浦不可使用於飲用水，冷卻油有可能會污染水質。



注意

1. 本裝置可以磨碎並運輸糞便、衛生紙。然而，並不代表本公司建議將衛生用品沖入裝置，這可能會造成污水管道阻塞。
2. 檢查確認電源符合泵浦或裝置上銘牌所標示的電力資料。
3. 需依當地法令規章安裝所有的裝置（包括出口水管及碳製通氣閥等）。本裝置必須有通氣。請勿使用自動管路通氣設備，否則馬桶將不能沖水。
4. 最高環境溫度不得超過華氏104度（攝氏40度）。
5. 請勿使用含漂白劑的清潔劑，清洗馬桶水箱、馬桶或附屬裝置品，否則會侵蝕沉水泵密封件。
6. 此產品設計用於一套馬桶使用。



注意

1. 僅允許由有授權的服務站進行維修服務。
2. 備註：建議1英吋的水管安裝以不超過6.1公尺垂直高度為原則。迷你磨碎型泵浦的設計僅適用於Qwik Jon® Choice裝置，不適用於任何其他設施。
3. 型號200可搭配節水馬桶(6升)。

保固請參閱第2頁



## 保固說明

製造商在保修期內向購買者和隨後擁有者的保證，每個新產品不會有材料或工藝的瑕疵，在正常使用和維護的情況下，本產品的保固為自購買日起算的兩年。需具備購買證明。在保修期內出現故障的零件，經查驗若產品的缺陷是由材料或製造過程造成，本公司將負責維修或更換。本公司保留決定是否維修或更換產品、零件或配件的權利。馬桶水箱注水、沖水機制受原廠保固，而馬桶陶瓷保固僅限於工廠瑕疵。維修或更換期間買方所產生的費用或損失不在保固範圍內。對於因產品故障、維修或更換而可能產生的運費、損壞、人工費或其他費用，我們將不予授予。

保固不適用於：

- (1) 未依照說明書安裝、操作或維護所造成的故障或損壞。
- (2) 不當操作、意外或疏忽所造成故障或損壞。
- (3) 加裝不屬於本產品的零、配件。
- (4) 未依照當地法規進行安裝所造成的危害。

- (5) 將產品用在非原本設計的用途上所造成的損壞。(例：抽取沙、碎石、水泥、泥巴、瀝青、碳氫化合物及其衍生物、汽油、化學溶劑或其他有腐蝕性的液體、毛巾、女性衛生用品等。)

保固零、配件的退回：在本保固之下任何修理或更換需送回本公司或其他本公司所指定的維修服務點，運費需自付。在任何情況下本公司不負擔其他責任，包含資產或設備的損壞、利潤損失、等.....。

本公司的責任不超過產品的實售價格。

上述為本產品唯一的保固說明，任何人的修改或另做承諾皆為無效。

在因涉嫌產品故障而導致損害的情況下，財產擁有人必須保留該產品以供調查之用。

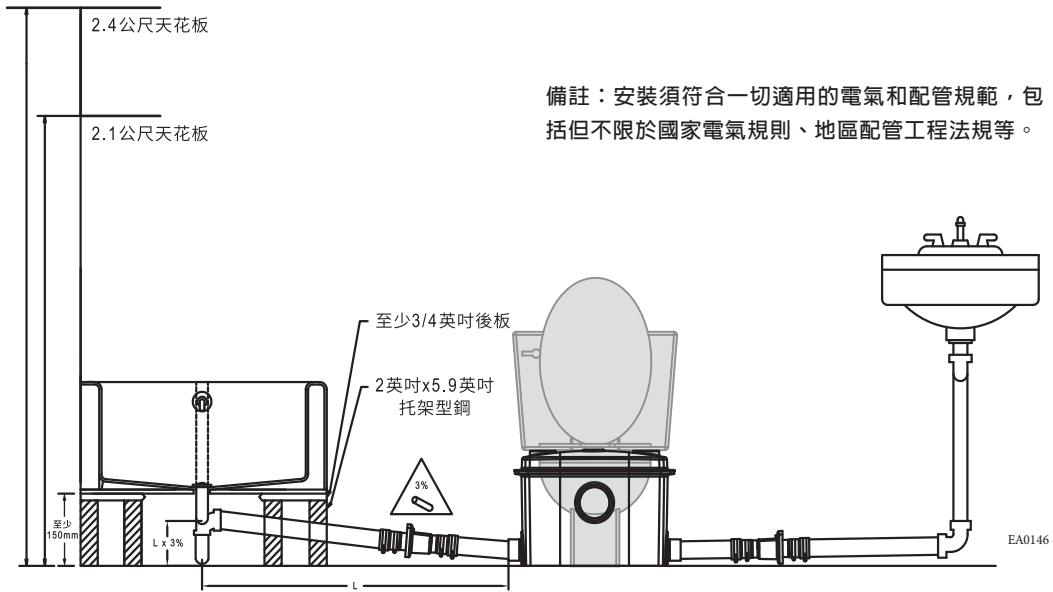
## 輕鬆安裝的要訣

- (1) 安裝前閱讀所有指示。
- (2) 確保安裝地面平坦度差異在3mm之內。
- (3) 安裝排水管密封件時，法蘭密封面向外面。
- (4) 必要時請使用肥皂水潤滑配件，以協助安裝。
- (5) 在通氣口上安裝碳製通氣閥，需定期更換活性炭濾棉。
- (6) 請不要過度鎖緊馬桶安裝的固定螺絲。
- (7) 請避免使用自動管道通氣設備。
- (8) 請記錄本機型號及製造日期，與經銷商聯絡時提供本資訊。

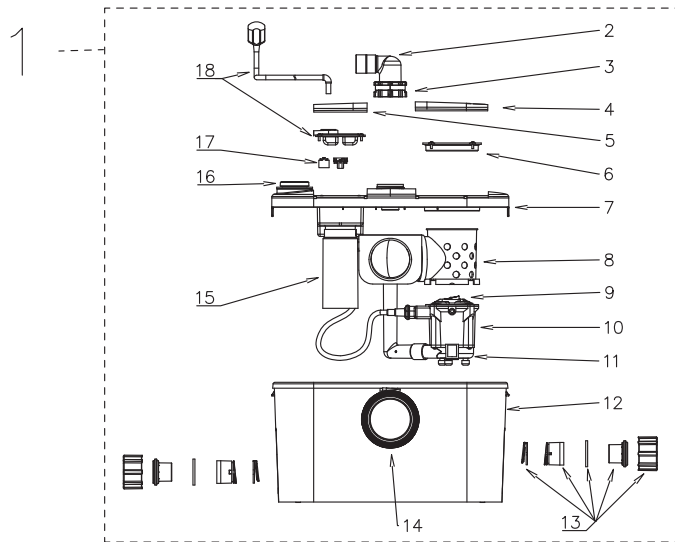
## 安裝注意事項

- (1) 請務必閱讀本裝置的所有安裝資料。
- (2) 請務必檢查裝置是否在運送中產生可見的損壞。若裝置顯示受損，請聯絡經銷商。
- (3) 請務必清理裝置所有可見的雜物。
- (4) 處理前切斷泵浦電源。連結到獨立受保護的接地漏電電流斷路器。請勿切斷、拼接或損壞電源線。請勿用電源線拉動或舉起泵浦。請勿使用延長線。
- (5) 請務必在逆止閥的排水管下游安裝球閥或閘閥。
- (6) 請務必在安裝後立即測試泵浦，以確認系統正常運作。
- (7) 請務必詳閱所有適用當地及國家規則，確認安裝符合各項規定。
- (8) 不建議將本產品連結到正常浴室設施以外的設施，如洗衣機及洗碗機。
- (9) 務必每三個月檢查並測試系統的正常運作。

## 建議安裝標準的管路設計



## 維修零件



此圖可能與產品不完全相同

項目	描述	115 V	220 V
		維修包或零件號	維修包或零件號
1	Qwik Jon® Choice 污水粉碎提升器	200-0007	200-0008
2	出口管組件維修包	084839	084839
3	止回閥組件維修包	084854	084854
4	泵的裝飾蓋維修包	084855	084855
5	集線盒的裝飾蓋維修包	084856	085173
6	泵維修蓋維修包	084846	085174
7	本體蓋維修套件	084847	084847
8	濾渣網和入水彎管維修包	084848	084848
9	切刀套裝維修包	084844	084844
10	泵浦維修包	084852	085175
11	水機維修包	084850	084850
12	水箱維修包	084851	084851
13	側進入水閥維修包	085087	085176
14	波形彎管維修包	084840	084840
15	浮球維修包	084841	084841
16	通氣閥維修包	084858	084858
17	電容器和電路板維修包	084859	084842
18	集線盒維修包	084860	085177

異常狀況	可能原因	補救措施
A. 泵浦未開始運作。	低電壓、保險絲燒斷、電路中斷。	由合格電氣技師檢查保險絲和電路。
	葉輪卡住。	聯絡經銷商。
	馬達或電線短路。	
	浮球開關上有雜物。	去除雜物
B. 泵浦太快啟動。	浮球“啟動”點調得太低。	調整浮球設定。
C. 泵浦太慢啟動。	浮球“啟動”點調得太高。	調整浮球設定。
D. 泵浦不停止或在抽水前運轉太久。	泵浦未連結到外接浮球開關插座。	確認泵浦電線連結到外接式浮球開關。
	浮球下方有雜物。	去除浮球周圍的雜物。
	浮球開關故障。	聯絡經銷商。
	浮球“停止”點調得太低。	提高下端浮球制子。
	泵浦氣鎖。	確保排放管中的通氣孔暢通。
	水位太低。	提高下端浮球制子。
	污物累積，造成通道不良。	按下馬桶沖水柄15秒。若裝置未暢通，拔除插頭等待30分。將裝置的插頭插回，重複此動作。若裝置仍未關閉，必須打開裝置移除雜物。
E. 泵浦運轉正常，但抽不到水或水流量太少。	進水口周圍有雜物。	清理進水口附近區域。
	排放管堵塞。	必要時卸除排放管，沖走雜物。
	電壓太低或不當電壓。	由合格電氣技師檢查家庭管線。
	葉輪受損。	聯絡經銷商。
	浮球調整不當。	聯絡經銷商。
	泵浦氣鎖。	確保排放管中的通氣孔暢通。
	安裝揚程超過系統設計的揚程。	更換排放管或聯絡經銷商。

### ⚠ 警告

在維修沉水泵浦之前，須關閉總電源斷路器，拔除泵浦插頭，確保人未站在水中，且穿上絕緣保護底的鞋子。水溢流時，聯絡當地的電力公司，或有執照的合格電氣技師，在移除管之前進行斷電。

本泵浦含冷卻油，在運作狀態下會受壓變熱，斷電後等待2.5小時再進行維修。

如果以上檢查點都無法排除問題，請與經銷商聯絡，不要嘗試維修或拆除沉泵浦及其他零件。

### ⚠ 注意

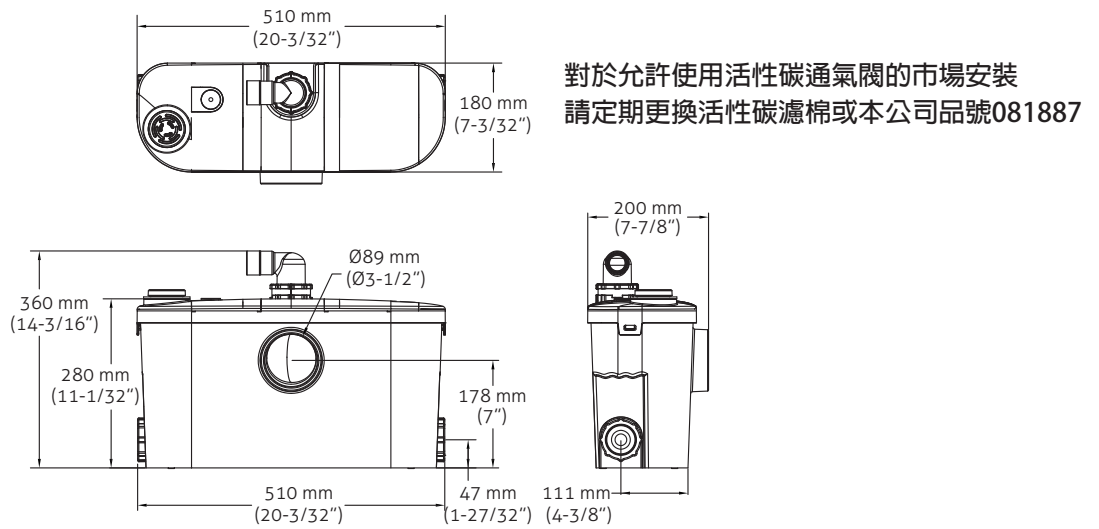
不要將女性生理用品、可拋棄式尿片、抹布等丟入QWIK JON® CHOICE中。這可能堵塞水泵或其他管道，導致故障。

完成後的保養：僅建議使用肥皂和水清洗水箱外側。其他清潔產品可能造成褪色和刮傷。

以上任何清潔請洽原購置經銷商或指定維修單位。

# Qwik Jon® Choice 參考手冊

## 尺寸



### 步驟 1

### 位置選擇

請仔細規劃後再施工。

**地板：**地板結構須穩固，地板凹凸面高低差在3mm之內。若地板不平，使用水泥或類似材料校平。

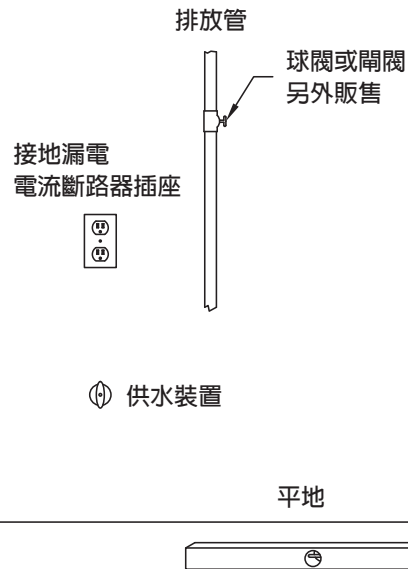
**水：**馬桶運作需有供水源。通常1/2英寸(外徑Ø20mm)管配備截流閥就足夠。

**電氣：**需要115/220伏特含接地漏電斷路器的插座以供應電源到泵浦。

**下水道：**需要連結到糞管排放。Qwik Jon® Choice要求有1英寸(25mm)或外徑Ø32mm(若當地規則許可，也可为3/4英寸(19mm))或外徑Ø25mm的管路，以連結到既有的糞管。排放管路上應安裝球閥或閘閥。

**碳製通氣閥：**需定期更換活性炭濾棉。不建議採用機械式通氣系統。

**備註：**若欲採用隱藏安裝，請將提升器設在維修人員有足夠空間維修拆裝的地方。



SK2588

在嘗試安裝，維修或維護系統之前，請務必斷開電源。

切勿用濕手或在潮濕或潮濕的表面或水中站立時操作泵，可能會導致致命的電擊。



QWIK JON® CHOICE  
MODEL 200

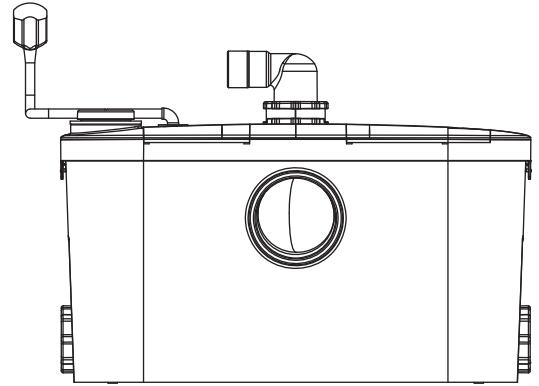
# 泵浦裝置

## 步驟 2

### ▲ 注意

勿使用木質墊片校平提升器。

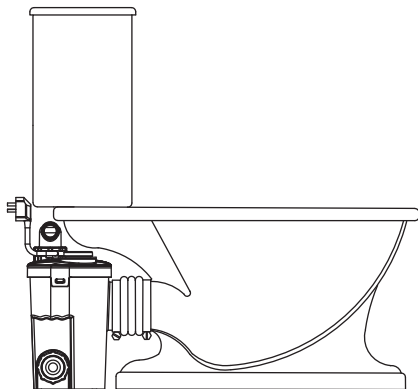
確保釘子、螺絲或其他尖銳物不會刺穿提升器。  
使用水硬水泥或類似材料將泵浦校平至差距在3mm之內。



## 步驟 3

### 簡圖(獨立式安裝)

1. 將本體安置在離牆至少3mm處，進水口朝前。使用提供的金屬管束夾件，將伸縮管安裝到進水口。
2. 將馬桶安置在本體前面，馬桶排放管和提升器裝置進水口的位置需對正。確保伸縮管足以跨越間隙，以進行最後安裝。馬桶水箱應離牆至少13mm。
3. 在地板上輕輕標記提升器裝置、馬桶和馬桶螺絲的位置。在牆上輕輕標記泵浦裝置及馬桶水箱底部和側邊的高度，以確保未來實際安裝馬桶水箱和管路時，不會發生干涉。
4. 將馬桶卸離提升器，另外安放。

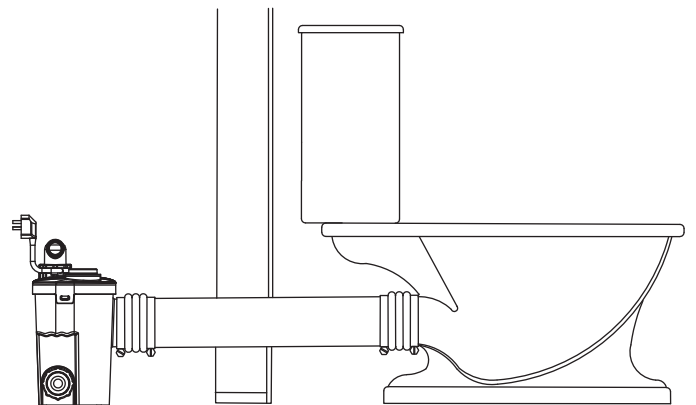


### 簡圖(隱藏式安裝)

1. 安裝牆後泵浦組須有另外販賣的延伸套件(品號10-3050)
2. 將馬桶安置在離牆至少13mm處，並在地板上標記馬桶羅斯的位置。
3. 測量延伸套件中的PVC規格Schedule 40管徑3-1/2英寸的水管所需長度再加以裁切安裝。參見右圖。
4. 將馬桶卸離提升器，另外安放。

### ▲ 注意

馬桶組件頭重腳輕，要特別注意，確保馬桶不會傾倒破碎。



將後排馬桶連接到Qwik Jon® Choice的前入口。確保連接符合本地，區域，或州的標準。



\* 以上圖面僅供參考，配置將因不同國家或區域而有所不同。

## 配管安裝

### 步驟 4

1. 依1英吋(外徑 $\varnothing$ 32mm)排放管(若法規允許，可降低至使用3/4英吋(外徑 $\varnothing$ 25mm)直徑排放管)的需求，裁切並試接配件。
2. 在試接排放管時，安放並標記泵浦裝置排放配件的位置。

#### ▲ 注意

馬桶沖水需要適當的通氣。不要使用機械式通氣系統。

3. 暫時將馬桶安放在位置上，檢查是否有管道干涉情況。卸下馬桶放在一旁。
4. 請依照正規接管程序進行安裝。

#### ▲ 注意

進行溶劑熔接到排放配件時，應確保溶劑不會流入逆止閥裝備。注意適當校直先前標記的排放配件。

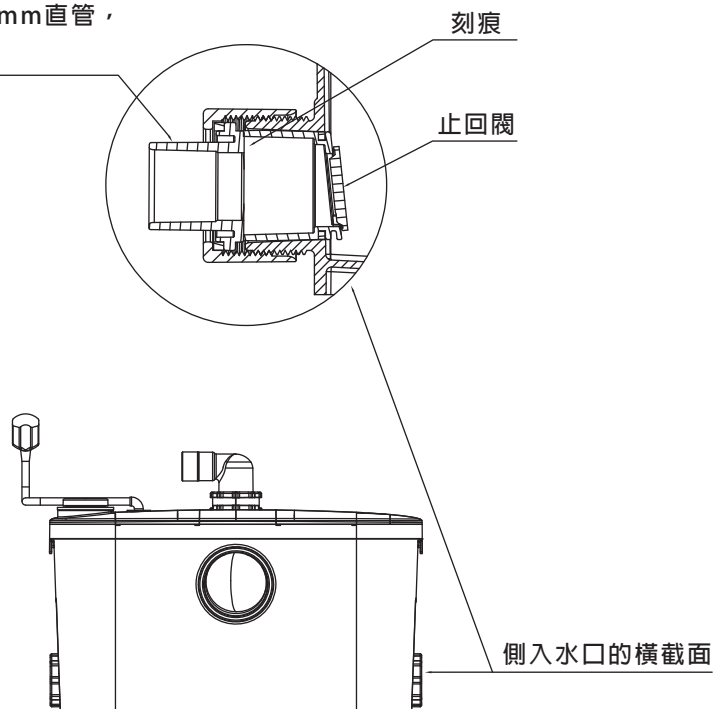
5. 定期更換活性炭濾棉，以達到適當的通氣。

備註：增加其他浴室配備 — Qwik Jon® Choice的設計可以利用兩側邊的進水口，接受額外的浴室配備。可直接接1英吋或外徑 $\varnothing$ 32mm直管，簡單的扭轉轉接頭並且切出模內插件所提供的刻痕。

#### ▲ 注意

完整的切除並且移除毛邊及粗糙的邊緣來防止阻塞。塑膠螺母不可使用工具鎖緊，若發生漏水請更換O型環。

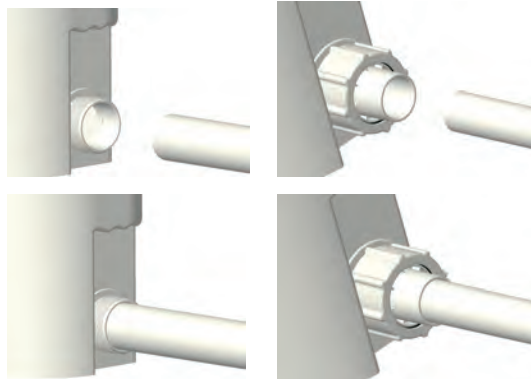
可直接接1英吋或外徑 $\varnothing$ 32mm直管，只需將直管接頭反轉即可。



將排水管從另一個浴室固定裝置連接到側面Qwik Jon® Choice上的進水口。請注意，側面輸入端內置有止回閥，並且與許多管道尺寸兼容。確保連接符合本地，區域，或州的標準。



\* 以上圖面僅供參考，配置將因不同國家或區域而有所不同。



美國市場

台灣市場

將排放管連接到Qwik Jon® Choice的頂部。



\* 以上圖面僅供參考，配置將因不同國家或區域而有所不同。

Qwik Jon® Choice的兩側均具有進水口讓其他浴室裝置的入口連接。  
如果需要，將所有入口管道連接到Qwik Jon® Choice



\* 以上圖面僅供參考，配置將因不同國家或區域而有所不同。

## 步驟 5

## 電源

將電源線插入牆壁插座以為設備供電。



\* 以上圖面僅供參考，配置將因不同國家或區域而有所不同。





**警告**

機械和電氣危險。在維護或打開之前，先斷開電源。  
本設備只能由合格的專業人員進行維修和保養。

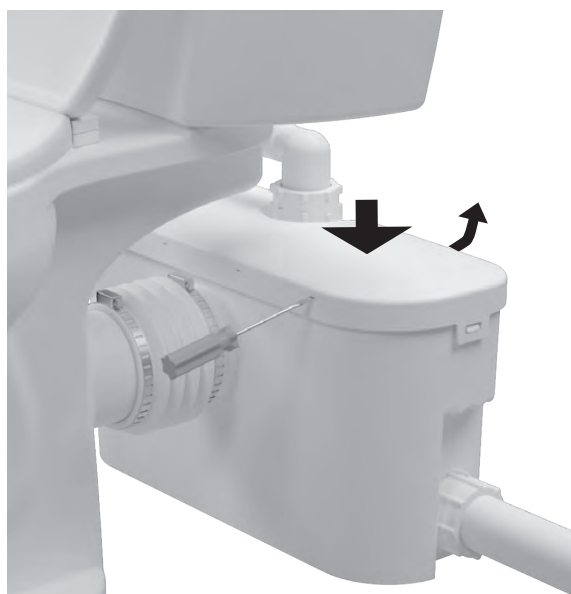


集線盒

活性炭通氣閥

\* 以上圖面僅供參考，配置將因不同國家或區域而有所不同。

用螺絲起子撬開裝飾蓋。  
或向下按裝飾蓋的中央，然後使側面朝上。



\* 以上圖面僅供參考，配置將因不同國家或區域而有所不同。

用螺絲起子撬開裝飾蓋。  
或向下按裝飾蓋的中央，然後使側面朝上。



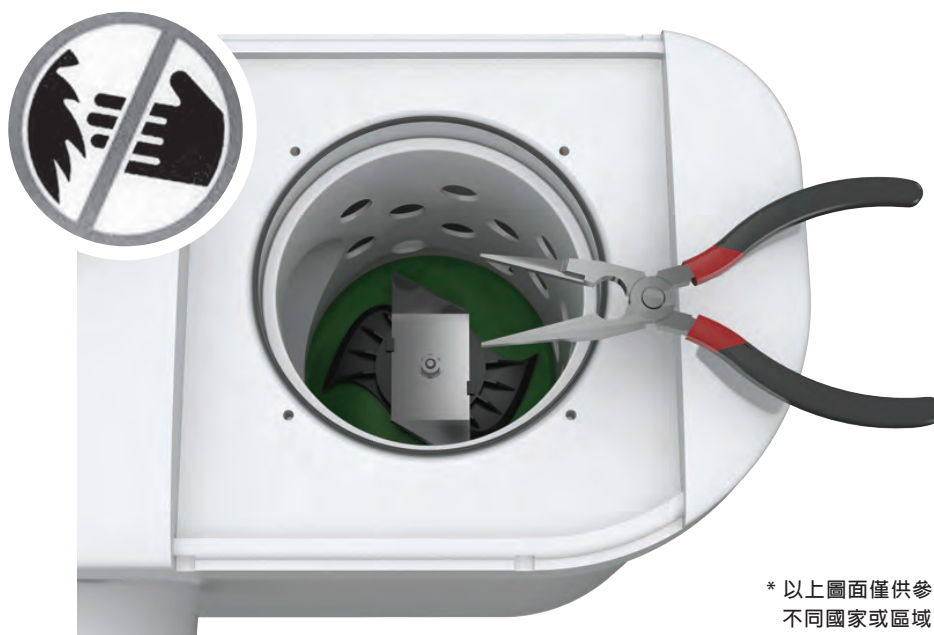
\* 以上圖面僅供參考，配置將因  
不同國家或區域而有所不同。

卸下保護蓋，打開濾渣網。



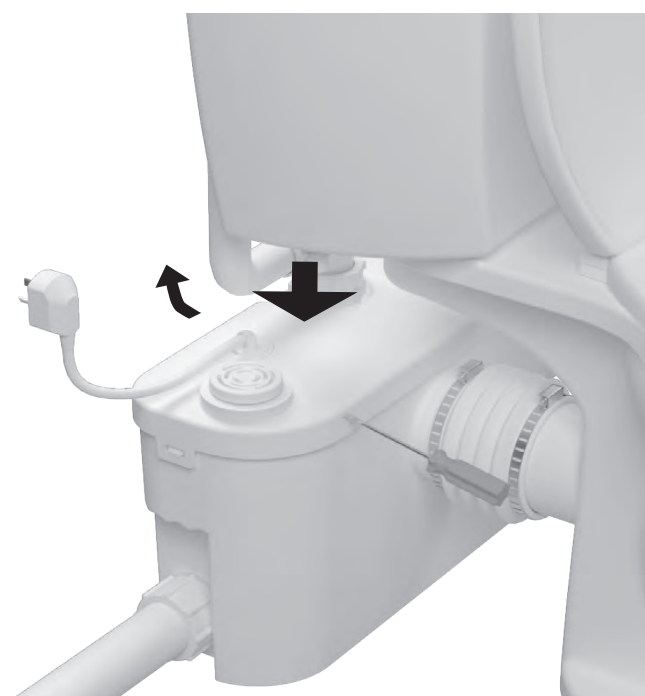
\* 以上圖面僅供參考，配置將因  
不同國家或區域而有所不同。

危險- 機械危險。帶有鋒利邊緣的集成切割系統。  
請勿將手伸入濾渣網中，否則可能會造成傷害。  
使用尖嘴鉗之類的工具取回濾渣網中的碎屑。



\* 以上圖面僅供參考，配置將因  
不同國家或區域而有所不同。

用螺絲起子撬開裝飾蓋。  
或向下按裝飾蓋的中央，然後將面朝上。



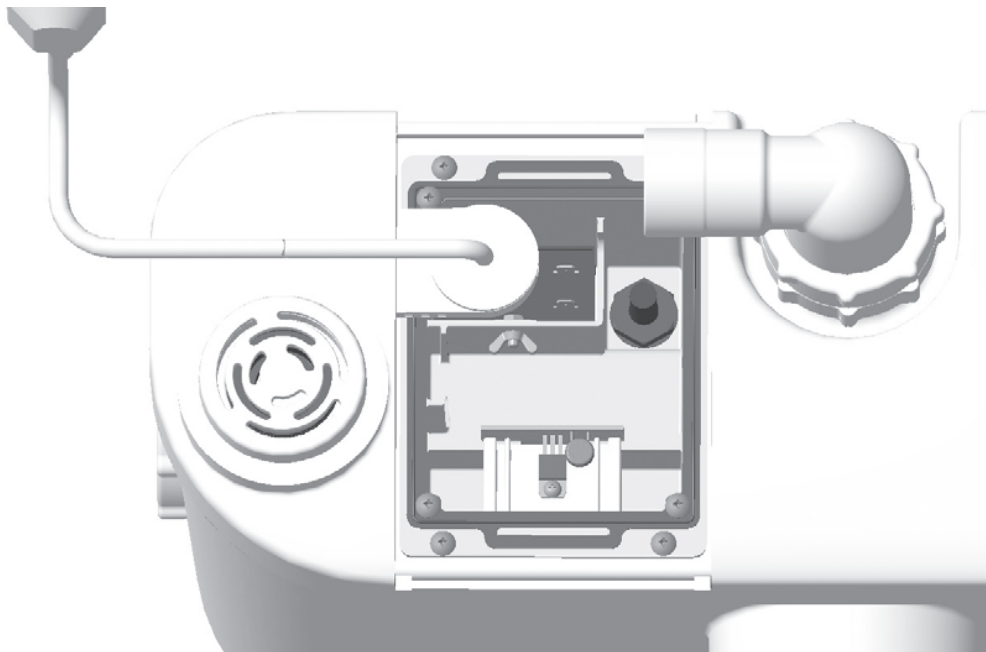
\* 以上圖面僅供參考，配置將因  
不同國家或區域而有所不同。

用螺絲起子擰開集線盒的蓋子，以檢修電容器和浮球開關。



\* 以上圖面僅供參考，配置將因不同國家或區域而有所不同。

集線盒可打開以便更換電容器或對系統進行故障排除。

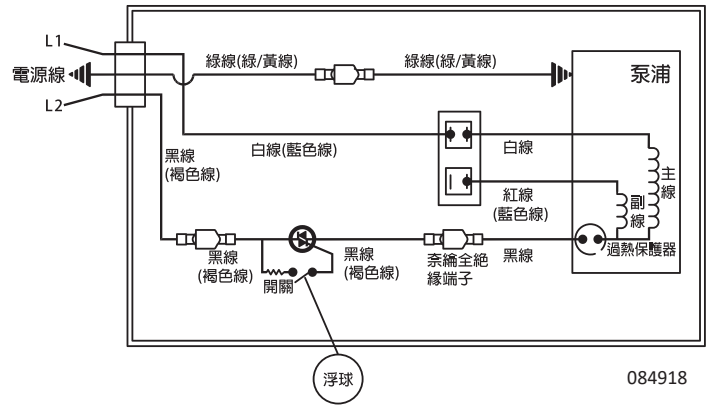
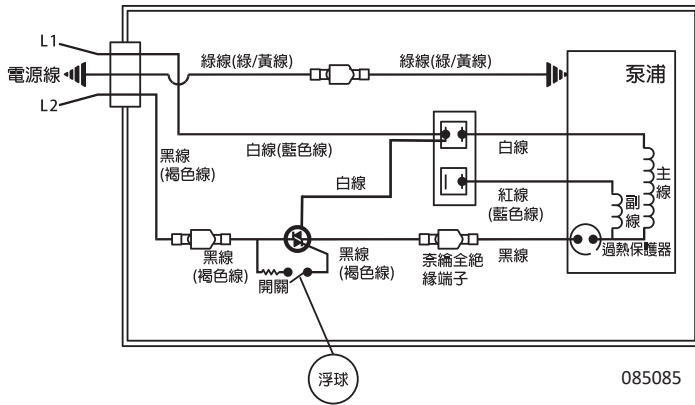


\* 以上圖面僅供參考，配置將因不同國家或區域而有所不同。

# QJ CHOICE 接線圖

115V

220V



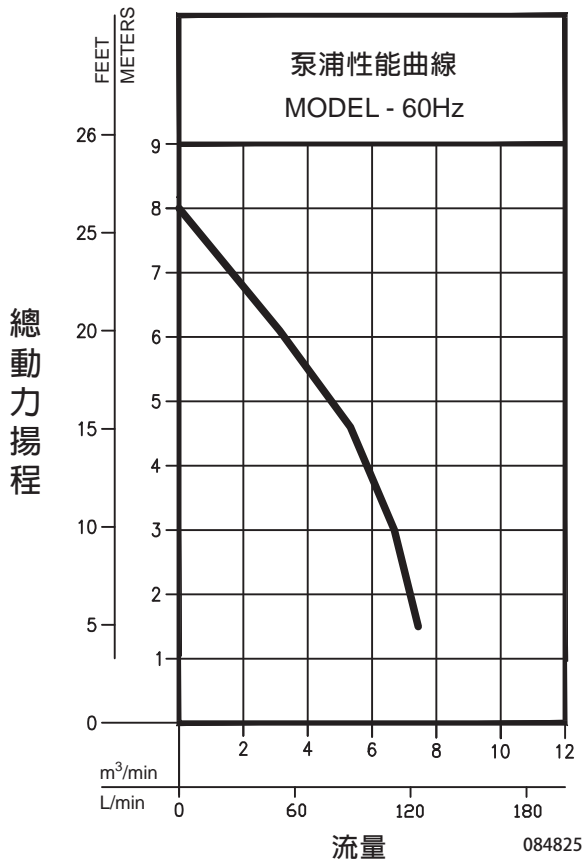
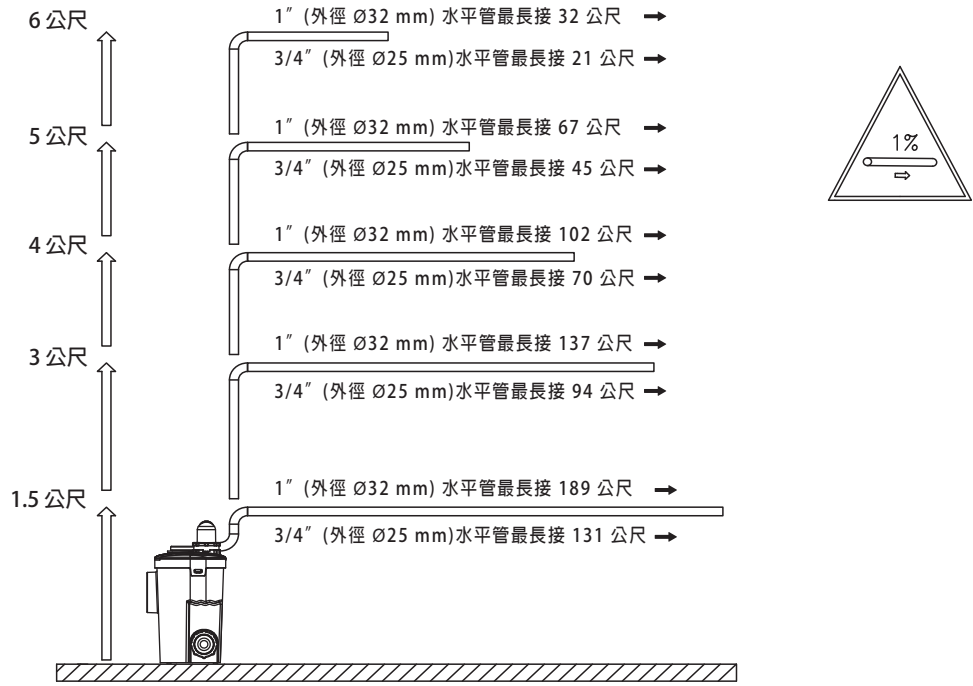
尼龍全絕緣隔離  
快速接頭端

鬆開頂部螺絲釘以進一步拆下集線盒以便得到  
浮球保護桿和水箱內部。



\* 以上圖面僅供參考，配置將因  
不同國家或區域而有所不同。

# 泵浦性能



總動力揚程/流量			
型號200		115V/220V	
公尺	英尺	m³/hr	LPM
1.5	5	7.5	124.6
3.0	10	6.7	112.0
4.6	15	5.3	87.6
6.1	20	3.2	54.0
全閉揚程		8.0m(26.25ft)	