



QWIK JON® CHOICE
MODEL #200

<https://www.zoellerpumps.com/zh-cn/>
<https://www.zoellerpumps.com/en-na/>

**QUICK REFERENCE GUIDE.
SEE INSTRUCTION MANUAL FOR
COMPLETE DETAILS.**



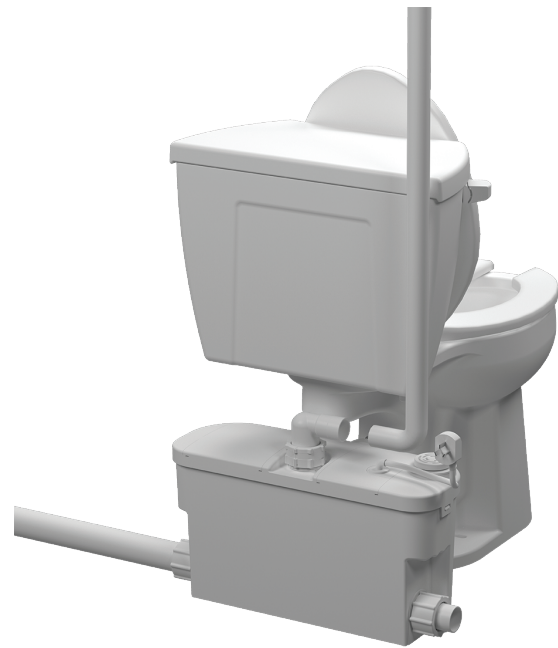
1 Connect the rear discharge toilet to the front inlet of the Qwik Jon® Choice. Ensure the connections are in accordance with local, regional, and state codes.



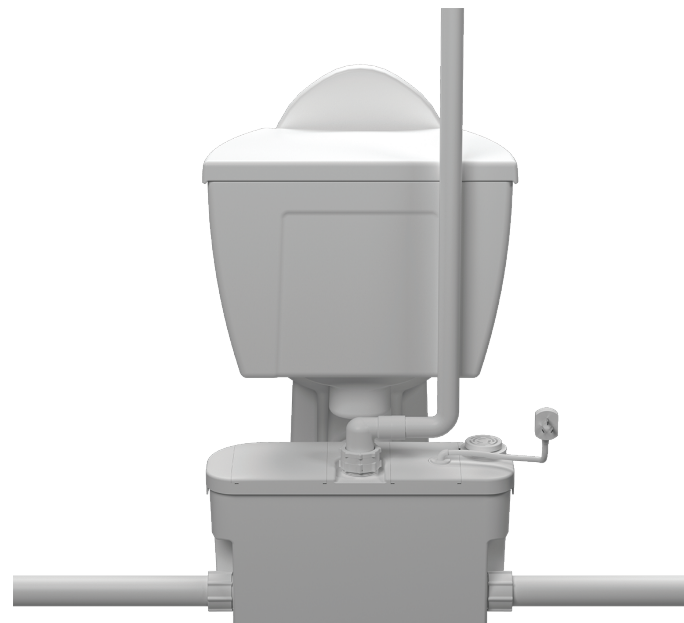
2 Connect the drain pipe from another bathroom fixture to the side inlet on the Qwik Jon® Choice. Notice the side inputs have built in check valves and are compatible with many piping sizes. Ensure the connections are in accordance with local, regional, and state codes.



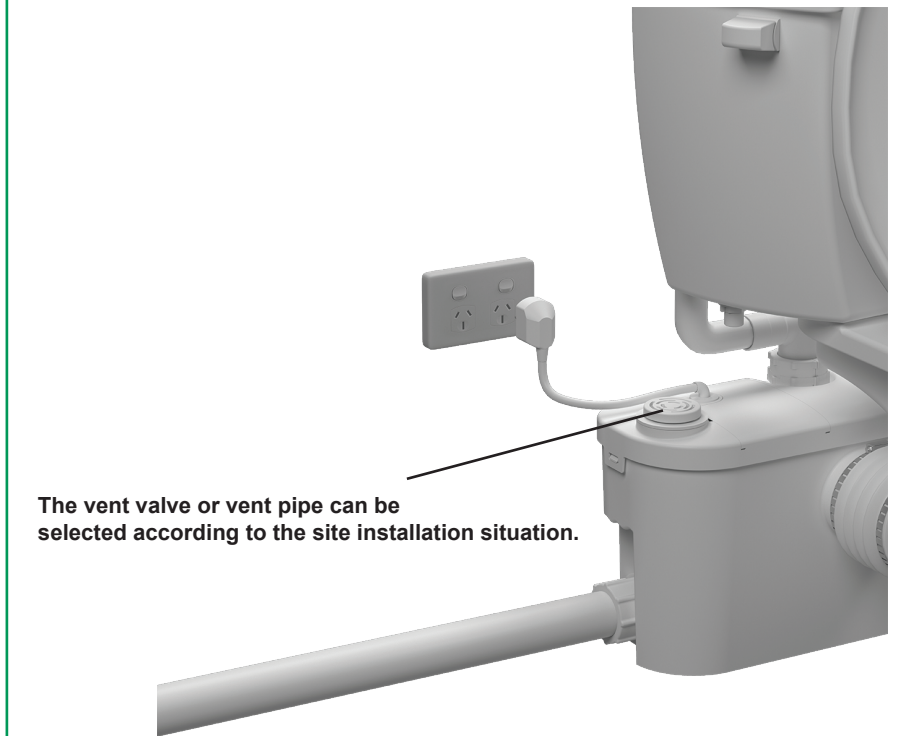
3 Connect the discharge pipe to the top of the Qwik Jon® Choice.



4 The Qwik Jon® Choice has an inlet on either side allowing side inlet connections from other bathroom fixtures.



5 Plug the power cord into a wall socket to provide power to the unit.



FIRE/EXPLOSION HAZARD.

Do not pump flammable or explosive fluids such as gasoline, fuel oil, kerosene, etc. Do not use in a flammable and/or explosive atmosphere. Failure to follow these warnings could result in death or serious injury and/or property damage.

***These drawings are for reference only.
Exact components may differ by region.**



Qwik Jon® CHOICE
MODEL #200

快速安裝說明

如需要完整細節，請見安裝手冊

<https://www.zoellerpumps.com/zh-cn/>
<https://www.zoellerpumps.com/en-na/>



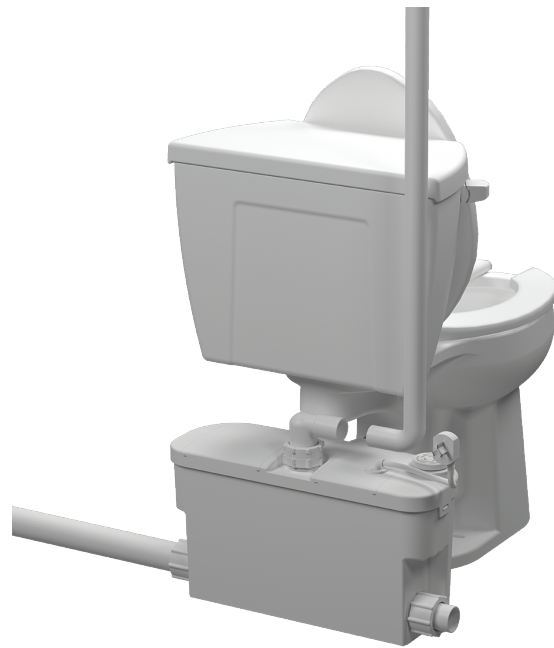
1 請將後排式馬桶連接到Qwik Jon® Choice前方面入水口，請確保安裝條件符合當地建築法規。



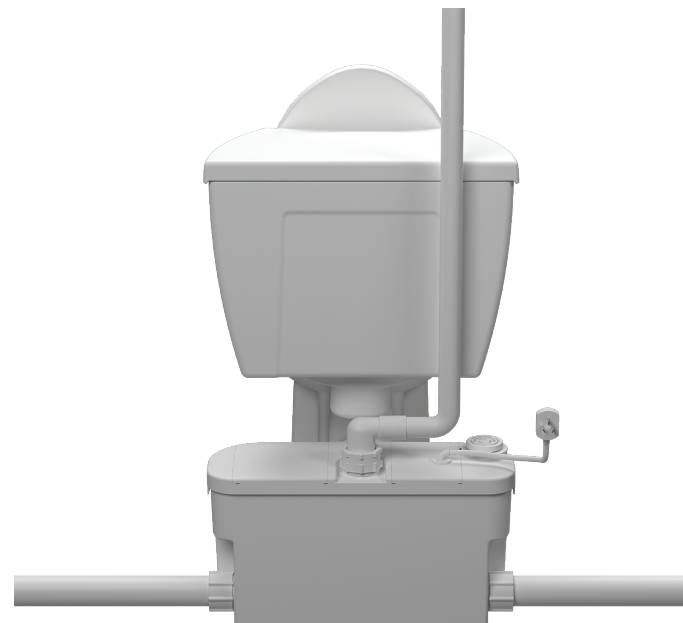
2 您可將其他衛浴設備的排水管連接至Qwik Jon® Choice兩側入水口，請注意Qwik Jon® Choice兩側入水口備有內建式止回閥，並且可以搭配多種尺寸管件。



3 將排水管連接到Qwik Jon® Choice上方出水口接頭。



4 Qwik Jon® Choice提升器兩側備有側入水口，可以連接其他衛浴設備。



5 確定入水，出水管安裝無誤後請將提升器插頭連接至牆上電源插座。



可依現場安裝情況選用通氣閥或通氣管。

© 版權所有：2021 Zoeller® 公司。翻印必究。

火災/爆炸危險提醒

請勿泵送易燃或易爆液體，例如汽油，燃料油及煤油等。
請勿在易燃和/或易爆性的環境中使用。
如不遵守這些警告可能會導致死亡或重傷和/或財產損失。

*以上圖面僅供參考，配置將因不同國家或區域而有所不同。