

Trusted. Tested. Tough<sup>®</sup>

Product information presented here reflects conditions at time of publication. Consult factory regarding discrepancies or inconsistencies.

Register your Zoeller Pump Company Product on our website: <http://reg.zoellerpumps.com/>




Visit our website:  
[www.zoellerpumps.com](http://www.zoellerpumps.com)

## QWIK JON<sup>®</sup> PREMIER 201 SYSTEM

### INSTALLATION INSTRUCTIONS

### PREINSTALLATION CHECKLIST

1. Inspect all materials. Occasionally, products are damaged during shipment. If the unit is damaged, contact your dealer before using. **DO NOT** remove the test plugs from the pump.
2. Carefully read all the literature provided to familiarize yourself with specific details regarding installation and use. These materials should be retained for future reference.



### ⚠ **WARNING**

**SEE BELOW FOR LIST OF WARNINGS**

1. To reduce the risk of electrical shock, a properly grounded receptacle or control box must be installed in accordance with the governing codes. Never remove ground pin from plug.
2. Make certain that the ground fault interrupter protected receptacle or control box is within the reach of the pump's power supply cord. **DO NOT USE AN EXTENSION CORD.** Extension cords that are too long or too light do not deliver sufficient voltage to the pump motor, and they could present a safety hazard if the insulation were to become damaged or the connection end were to fall into a damp or wet area.
3. Make sure the pump's electrical supply circuit is equipped with fuses or circuit breakers of proper capacity. A separate branch circuit is recommended, sized according to the governing electrical codes for the current shown on the pump name plate.
4. **Testing for ground.** As a safety measure, each electrical outlet should be checked for ground using an Underwriters Laboratory Listed circuit analyzer which will indicate if the power, neutral and ground wires are correctly connected to your outlet. If they are not, call a qualified licensed electrician.
5. **FOR YOUR PROTECTION, ALWAYS DISCONNECT PUMP FROM ITS POWER SOURCE BEFORE HANDLING.** If pump is wired direct, de-energize the circuit at the control box. **DO NOT, UNDER ANY CIRCUMSTANCES, REMOVE THE GROUND PIN.** Wear insulated protective shoes and do not stand in water. Certain plug types may include a 3-prong ground plug to help protect against electrical shock. A properly grounded 3-prong receptacle or control box must be installed in accordance with governing codes.
6. Installation and servicing of the pump's electrical circuits and hardware should only be performed by a qualified licensed electrician.
7. Installation and maintenance of this appliance is not intended for persons (including children) with reduced physical, sensory or mental capabilities, or lack of experience or knowledge, unless they have been given supervision or instruction concerning use of the appliance by a person responsible for their safety.
8. **Risk of electrical shock.** Do not remove power supply cord and strain relief or connect conduit directly to the pump. If the supply cable is damaged, it must be replaced by an authorized Zoeller Representative.
9. Pump contains oil which becomes pressurized and hot when operating. Allow 2-1/2 hours after disconnecting before attempting service.
10. Pump is not intended for potable water due to possible contamination by oil contained in the pump.
11. **Risk of electrical shock.** These pumps have not been investigated for use in swimming pools and marine areas.

## SAFETY INSTRUCTIONS

**TO AVOID SERIOUS OR FATAL PERSONAL INJURY OR MAJOR PROPERTY DAMAGE, READ AND FOLLOW ALL SAFETY INSTRUCTIONS IN THIS MANUAL AND ON THE PUMP.**

**THIS MANUAL IS INTENDED TO ASSIST IN THE INSTALLATION AND OPERATION OF THIS UNIT AND MUST BE KEPT WITH THE PUMP.**



This is a **SAFETY ALERT SYMBOL.** Symbol on the pump or in the manual, look for one of the following signal words and be alert to the potential for personal injury or property damage.



Warns of hazards that **CAN** cause serious personal injury, death or major property damage.



Warns of hazards that **CAN** cause personal injury or property damage.



Warns of electrical shock hazards that can cause serious personal injury, death or major property damage.



Identifies any terminal which is intended for connection to an external conductor for protection against electrical shock in case of a fault, or the terminal of a protective earth (ground) electrode.



Read operator's manual.

**THOROUGHLY REVIEW ALL INSTRUCTIONS AND WARNINGS PRIOR TO PERFORMING ANY WORK ON THIS PUMP. MAINTAIN ALL SAFETY DECALS.**

**REFER TO WARRANTY ON PAGE 2.**

## **⚠ CAUTION**

### SEE BELOW FOR LIST OF CAUTIONS

1. This unit is not designed to handle any material other than human waste and toilet paper. The list of items that should not be used with this system includes, but is not limited to: feminine sanitary products, condoms, cotton balls and swabs, baby wipes, paper towels, etc.
2. Check to be sure your power source is adequate to handle the amperage requirements of the motor as indicated on the pump or unit I.D. tag.
3. All plumbing (discharge and carbon filter vent) must be installed to meet local codes. **Unit must be vented. Do not use an automatic plumbing vent device.**
4. Maximum operating temperature must not exceed 40 °C (104 °F).
5. Do not use cleaning products containing bleach in the toilet tank, toilet or attached fixtures as they will degrade the pump seals.
6. **This product is designed for use with one toilet only.**
7. Conductor color coding: Type 1 - Line (Brown), Neutral (Blue), Ground (Yellow / Green). Type 2 - Line (Black), Neutral (White), Ground (Green).
8. Electrical control box or electrical box are waterproof required.
9. Prop65 Warning for California residents: Cancer and Reproductive Harm-  
[www.P65Warnings.ca.gov](http://www.P65Warnings.ca.gov).

## **⚠ NOTES**

### SEE BELOW FOR LIST OF NOTES

1. Repair and service should be performed by an Authorized Service and Warranty Center only. (Consult Factory.)
2. Note: Consult Factory if installation is above 7.6 m (25') vertical height in DN25 (1") pipe. The grinder pump is designed for use in Qwik Jon® Premier units only. It is not designed for use in any other application.
3. Pumps with the "cCSAus" mark and/or the "US" mark are tested to UL Standard UL778. Pumps with the "cCSAus" mark are certified to CSA Standard C22.2 No.108.
4. All fixtures connecting to the system must be on the same floor level.

## **LIMITED WARRANTY**

Manufacturer warrants, to the purchaser and subsequent owner during the warranty period, every new product to be free from defects in material and workmanship under normal use and service, when properly used and maintained, for a period of two years from date of purchase by the end user, that inspections determine to be defective. Proof of purchase is required. Inspections determine to be defective in material or workmanship, will be repaired, replaced or remanufactured at Manufacturer's option, provided however, that by so doing we will not be obligated to replace an entire assembly, the entire mechanism or the complete unit. Fill and flush mechanism are guaranteed as per OEM warranty only and vitreous china are guaranteed only for a factory defect. No allowance will be made for shipping charges, damages, labor or other charges that may occur due to product failure, repair or replacement. This warranty does not apply to and there shall be no warranty for any material or product that has been disassembled without prior approval of Manufacturer, subjected to misuse, misapplication, neglect, alteration, accident or uncontrolled weather event; that has not been installed, operated or maintained in accordance with Manufacturer's installation instructions; that has been exposed to outside substances including but not limited to the following: sand, gravel, cement, mud tar, hydrocarbons, hydrocarbon derivatives (oil, gasoline, solvents, etc.), or other

abrasive or corrosive substances, wash towels or any other abusive entity, etc. in all pumping applications. The warranty set out in the paragraph above is in lieu of all other warranties expressed or implied; and we do not authorize any representative or other person to assume for us any other liability in connection with our products.

Contact authorized distributors to obtain any needed repair or replacement of part(s) or additional information pertaining to our warranty.

**MANUFACTURER EXPRESSLY DISCLAIMS LIABILITY FOR SPECIAL, CONSEQUENTIAL OR INCIDENTAL DAMAGES OR BREACH OF EXPRESSED OR IMPLIED WARRANTY; AND ANY IMPLIED WARRANTY OF FITNESS FOR A PARTICULAR PURPOSE AND OF MERCHANTABILITY SHALL BE LIMITED TO THE DURATION OF THE EXPRESSED WARRANTY.**

Some jurisdictions do not allow limitations on the duration of an implied warranty, so the above limitation may not apply to you. Some jurisdictions do not allow the exclusion or limitation of incidental or consequential damages, so the above limitation or exclusion may not apply to you. This warranty gives you specific legal rights and you may also have other rights which vary from jurisdiction to jurisdiction.

**In instances where property damages are incurred as a result of an alleged product failure, the property owner must retain possession of the product for investigation purpose.**

## **HELPFUL HINTS FOR EASY INSTALLATION**

1. Read all instructions before beginning installation.
2. Be sure the floor is level within 3 mm (1/8").
3. Install vent pipe seal with flange side of seal on the outside of lid.
4. Use soapy water to lubricate all seals to aid installation.
5. Install rubber coupling/union in vent line to aid disassembly.
6. Do not over torque toilet mounting screws.
7. Do not use an automatic plumbing vent device.
8. Obtain model number and date code, and record information in the space provided on the front of this manual. Refer to this information when calling the factory.

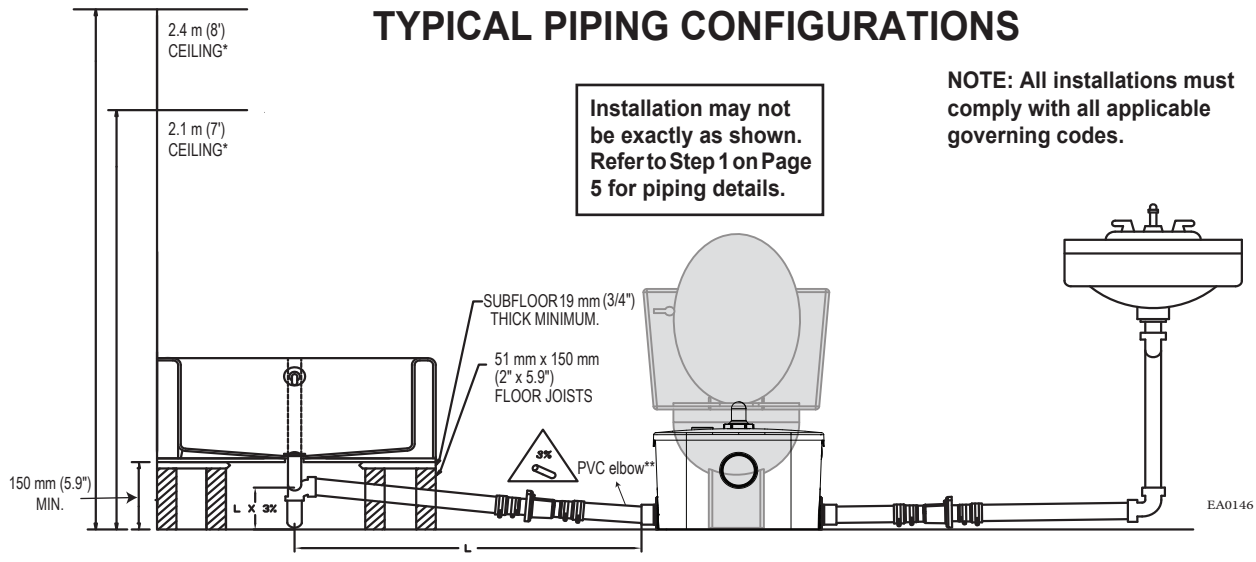
## **DO'S AND DON'T'S FOR INSTALLING A UNIT**

1. DO read all installation material with the unit.
2. DO inspect unit for any visible damage caused by shipping.  
Contact dealer if unit appears to be damaged.

## **DO'S AND DON'T'S, *continued***

3. DO clean all visible debris from the unit.
4. DO always disconnect pump from power source before handling.  
DO always connect to a separately protected and properly grounded ground fault protected circuit. DO NOT ever cut, splice or damage power cord. DO NOT carry or lift pump by its power cord. DO NOT use an extension cord.
5. DO install a ball or gate valve and a union in the discharge line downstream of the check valve.
6. DO test pump immediately after installation to be sure that the system is working properly.
7. DO review all applicable local and national codes and verify that the installation conforms to each of them.
8. We DO NOT recommend this product be connected to utilities other than those found in a normal bathroom application. Washing machines and dishwashers are examples of equipment that we DO NOT recommend.
9. DO inspect and test system for proper operations at least every 3 months.

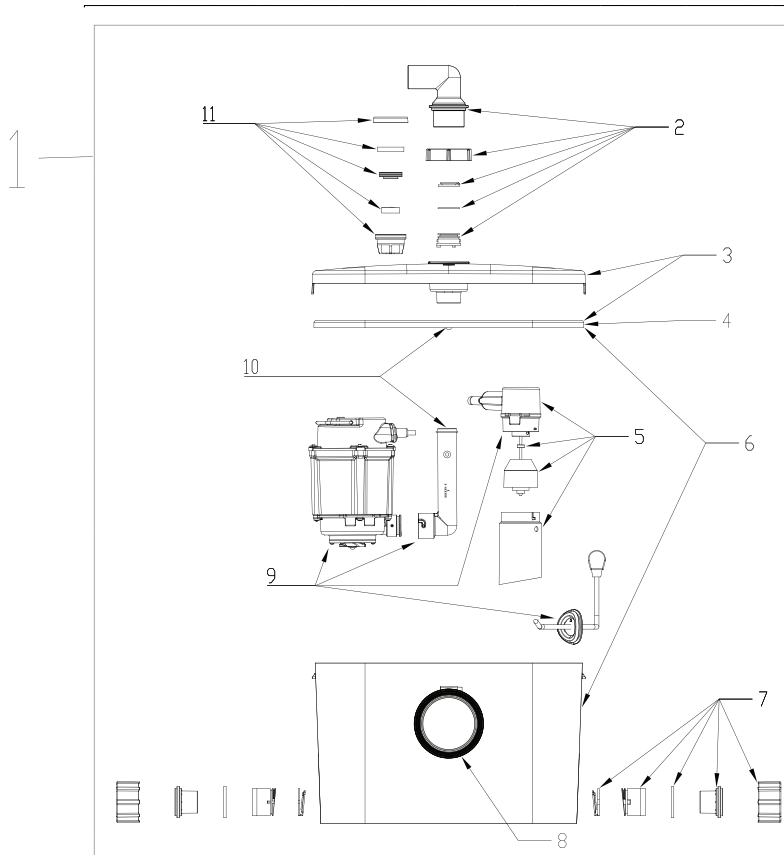
# TYPICAL PIPING CONFIGURATIONS



\*Ceiling heights shown for reference only.

\*\*Option: hose with clamp.

## SERVICE PARTS



Item	Description	Repair Kit or Part Number
1	QWIK JON® PREMIER Sewage Removal System	201-0005
2	Outlet Pipe Assembly Repair Kit	084993
3	Tank Cover Repair Kit	085159
4	Tank Seal Repair Kit	085160
5	Switch Housing and Float Repair Kit	085161
6	Tank Repair Kit	085162
7	Side Inlet Valve Repair Kit	084672
8	Bellow Repair Kit	084840
9	Pump Repair Kit	085163
10	Discharge Elbow Pipe Repair Kit	085164
11	Vent Valve Repair Kit	084858

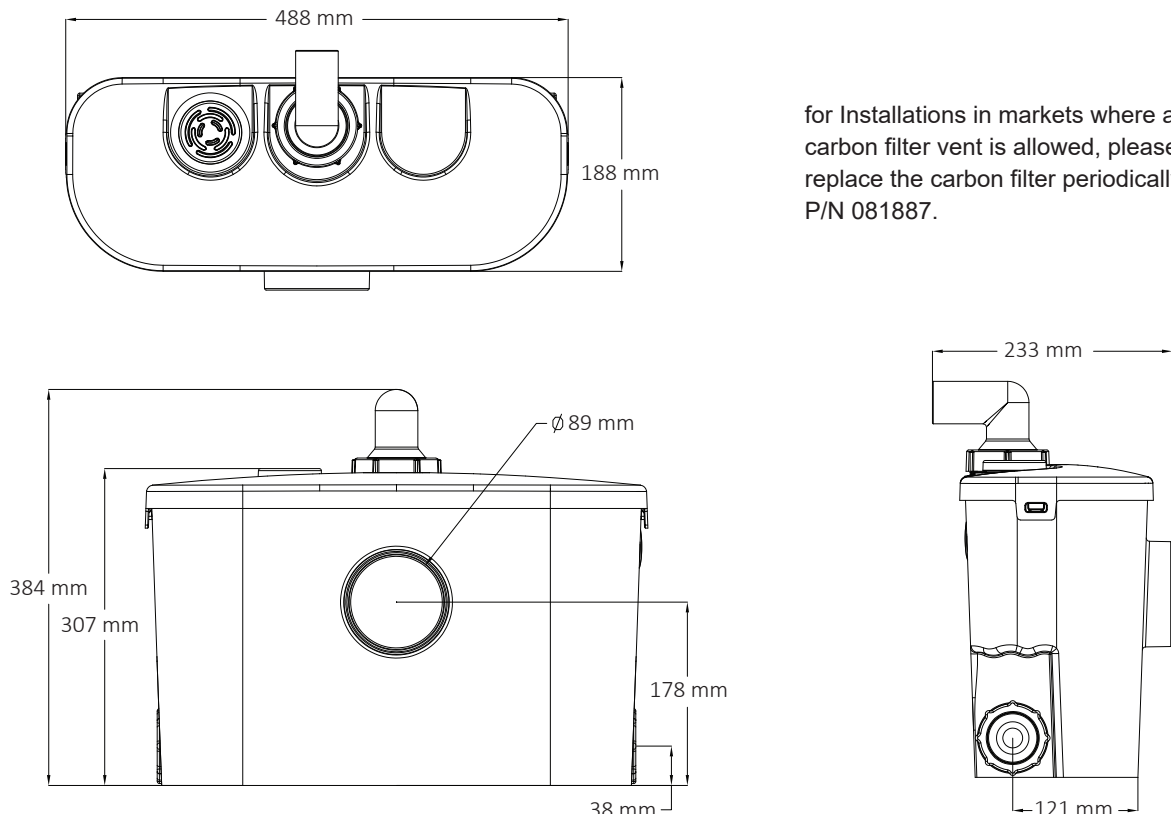
# TROUBLESHOOTING

CONDITION	POSSIBLE CAUSE	REMEDY
<b>A. PUMP WILL NOT START OR RUN.</b>	Low voltage, open circuit, failed capacitor.	Have a qualified electrician check the circuit.
	Impeller bound and cutter bound.	Contact a Zoeller Authorized Service and Warranty Center.
	Motor or wiring shorted.	
	Debris on float switch.	Remove debris.
<b>B. PUMP WILL NOT SHUT OFF OR RUNS TOO LONG BEFORE WATER IS PUMPED.</b>	Debris under float.	Remove debris from around float.
	Faulty float switch	Contact a Zoeller Authorized Service and Warranty Center.
	Pump is air locked.	Make sure vent hole in discharge pipe is clear.
	Waste material has accumulated blocking flow of material to pump intake.	Hold flush handle down on toilet for 15 seconds. If unit will not clear, unplug and wait for 30 minutes. Plug unit back in and repeat. If unit still will not turn off, it will need to be opened and the debris removed.
<b>C. PUMP OPERATES BUT DELIVERS LITTLE OR NO WATER</b>	Debris around intake.	Clean area around intake.
	Blockage in discharge pipe.	Remove pipe and flush out debris.
	Low or incorrect voltage.	Have a qualified electrician check house wiring.
	Damaged Impeller.	Contact a Zoeller Authorized Service and Warranty Center.
	Incorrect float adjustment.	Contact Product Support Department.
	Pump is air locked.	Make sure vent hole in discharge pipe is clear.
	Vertical lift too high.	Change discharge piping or contact Product Support Department.

If the above checklist does not solve the problem, consult the Zoeller Product Support Department by [sales@zoeller.com.tw](mailto:sales@zoeller.com.tw). Do not attempt to service or otherwise disassemble pump.

Care of finish: soap and water is all that is recommended for cleaning the outside of the tank. Other cleaning products may cause discoloration and scratching.

## DIMENSIONS



for Installations in markets where a carbon filter vent is allowed, please replace the carbon filter periodically, P/N 081887.

## STEP 1

## LOCATION SELECTION

**Plan your new installation carefully.**

**Floor:** The floor should be structurally sound and level within 3 mm (1/8"). If the floor is not level, use hydraulic cement or similar material to level to the floor.

**Water:** A water supply will be needed to operate the toilet. Usually a DN15 (1/2") line with a shut-off valve is sufficient.

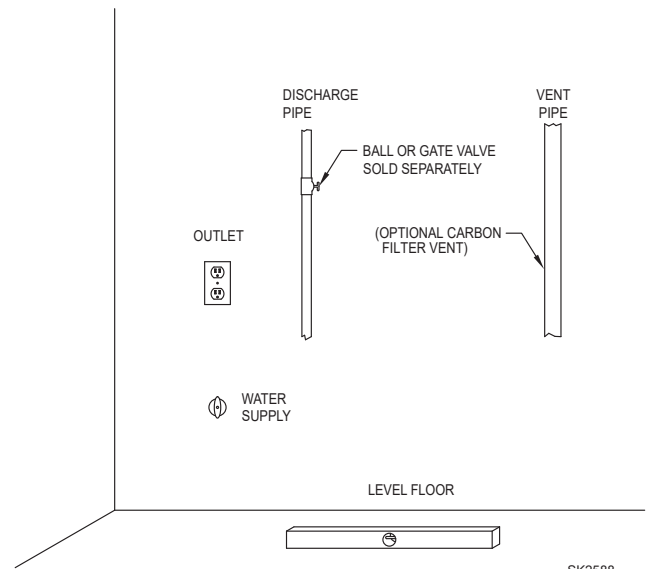
**Electrical:** A receptacle of the appropriate voltage will be needed to supply electrical power to the pump.

**Sewage:** Access to a sewage line is required. The Qwik Jon® Premier requires a DN25 (1") (or DN20 [3/4"] if local code allows it) sewage discharge line to connect to an existing sewage line. A ball or gate valve should be installed in the discharge line.

**Vent:** Access to a vent pipe is required in some markets. The use of a mechanical vent system is NOT recommended as the toilet will not flush.

**Optional carbon filter vent:** Please replace the carbon filter periodically. The use of a mechanical vent system is NOT recommended as the toilet will not flush.

**NOTE:** If a built-in installation is to be used, locate the pump unit in an area that will allow access to the pump and switch.



Always disconnect power source before attempting to install, service, or maintain the system.

Never handle a pump with wet hands or when standing on wet or damp surface or in water. Fatal electrical shock could occur.



QWIK JON® PREMIER  
MODEL 201

## STEP 2

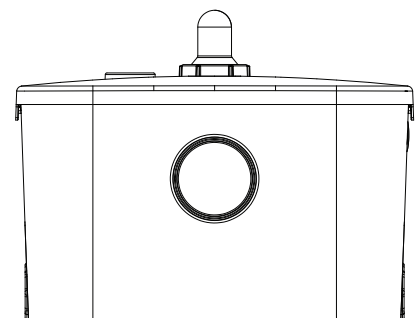
## LEVELING OF PUMP UNIT

### ▲ CAUTION

Do not use wooden shims to level the pump unit.

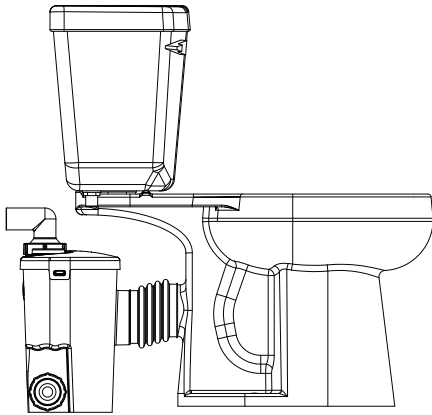
### ▲ CAUTION

Ensure that nails, screws or other sharp objects do not puncture the pump unit. Level the pump unit to within 3mm (1/8") using hydraulic cement or similar material.



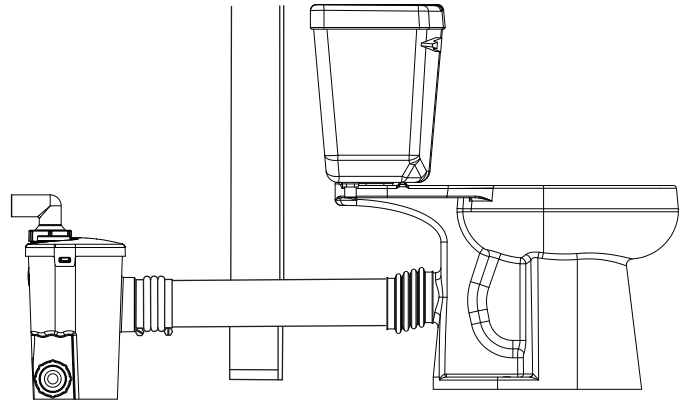
**(STAND-ALONE INSTALLATION)**

- 1) Position the pump unit a minimum of 3 mm (1/8") from the wall with the inlet facing away from the wall. Attach the bellows to the inlet using the worm drive clamp provided.
- 2) Place the toilet in front of pump unit aligning the discharge of the toilet with the inlet of the pump unit. Make sure that the bellows will bridge the gap adequately for final installation. The toilet tank should be a minimum of 13 mm (1/2") from the wall.
- 3) Lightly mark the locations of the pump unit, toilet and closet bolt locations on the floor. Lightly mark the wall with the height of the pump unit and the bottom and sides of the toilet tank to ensure against interference from pipe runs later.
- 4) Remove the toilet from the pump unit and set it aside.

**(BEHIND THE WALL INSTALLATION)**

- 1) Installing the pump unit behind a wall will require an extension kit (P/N 10-3050) sold separately.
- 2) Place the toilet assembly a minimum of 13 mm (1/2") from the wall and mark the closet bolt locations on the floor.
- 3) Measure the appropriate length of 89mm (3-1/2") Schedule 40 PVC pipe provided with the extension kit and cut it to length. See sketch below.
- 4) Set toilet aside.

**⚠ CAUTION** Toilet assembly is top heavy. Take special precautions to ensure that toilet does not tip over and break.



Connect the rear discharge toilet to the front inlet of the Qwik Jon® Premier via hose clamps. Ensure the connections are according to local, regional, and state codes.



\*These drawings are for reference only.  
Exact components may differ by region.

## STEP 4

## PIPING

- 1) Cut and dry-fit the pipe and fittings as required for DN25 (1") diameter discharge pipe (may be reduced to DN20 [3/4"] diameter if local code allows it.)
- 2) While dry-fitting the discharge pipe, position and mark the location of the pump unit discharge fitting.
- 3) Cut and dry-fit DN40 (1-1/2") vent pipe as required to ensure that the vent pipe does not interfere with other components. Make the connection to the pump unit with the provided street elbow. A 2" x 1" 90° discharge fitting has been provided. However, it may be easier to pipe straight up depending on the installation.

**CAUTION** Proper venting is required.

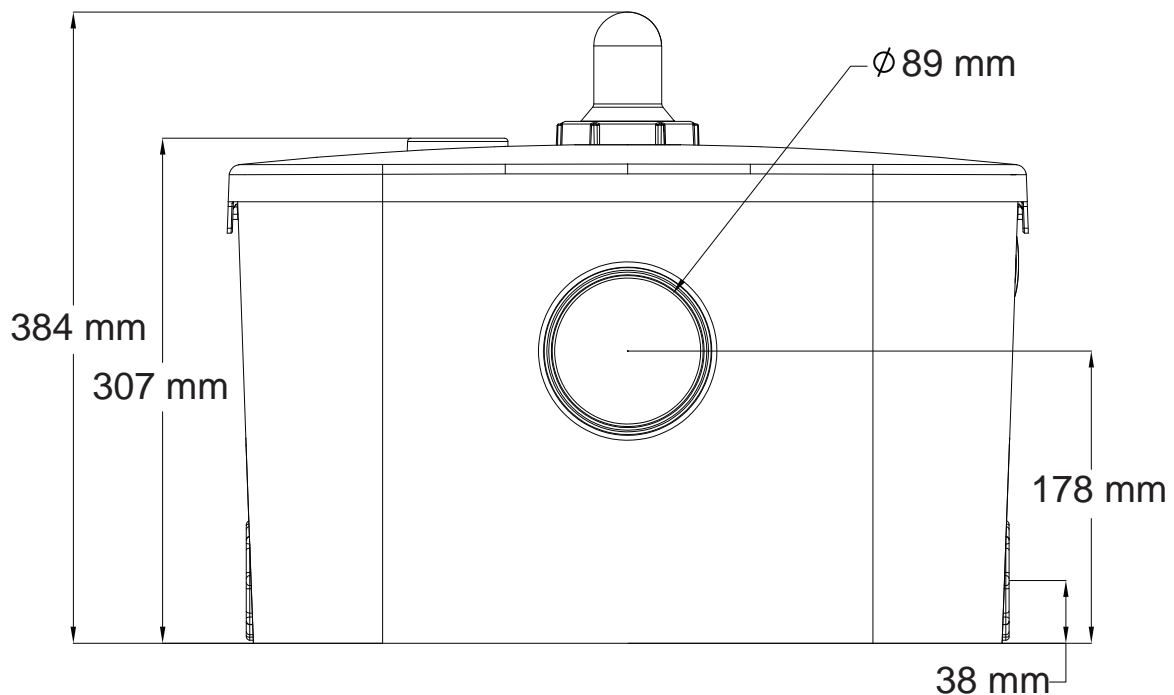
- 4) Temporarily set the toilet in place to check that there is no piping interference. Remove the toilet and set it aside.
- 5) Clean, prime and solvent weld the discharge piping and pump unit discharge fitting.

**CAUTION** When applying solvent weld to discharge fitting, ensure that none gets into the check valve assembly. Pay close attention to the proper alignment of the discharge fitting previously marked.

- 6) For markets requiring a pipe vent, clean and solvent weld the vent piping as required for proper venting.
- 7) Optional carbon filter vent:  
For markets where a carbon filter vent is allowed, please replace the carbon filter periodically to keep ventilation functioning properly.

**Note:** Adding other bathroom fixtures - The Qwik Jon® Premier is designed to accept additional bathroom fixtures utilizing the two side inlets. Available for connecting DN25 (1") pipe. Simply reverse the pipe adaptor and cut out the molded-in plug at the provided indentation.

**CAUTION** Cut cleanly and remove burrs and rough edges to avoid the potential for clogging.



Connect the desired inlet pipe from other fixtures to the side inlet(s) of the Qwik Jon® Premier.  
Use a 1-3/4" (44 mm) hole saw to cut hole in side inlet(s)



\*These drawings are for reference only.  
Exact components may differ by region.

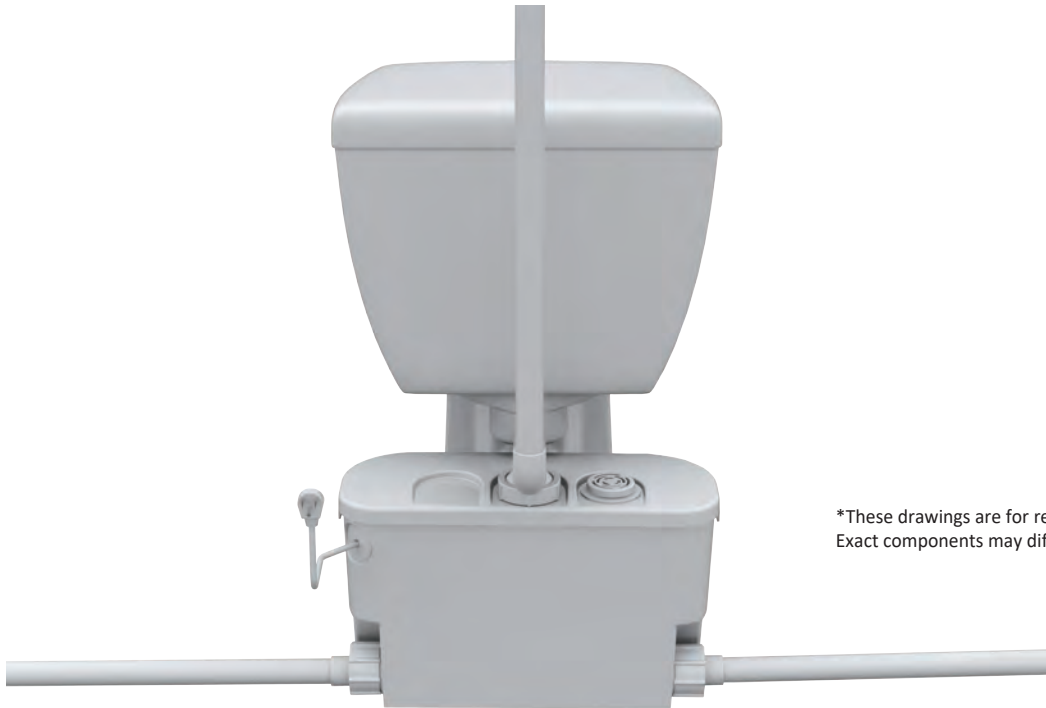
Connect the discharge pipe to the top of the Qwik Jon® Premier.



\*These drawings are for reference only.  
Exact components may differ by region.



Connect all the inlet piping to the Qwik Jon® Premier if desired



\*These drawings are for reference only.  
Exact components may differ by region.

## STEP 5

## POWER

Plug the power cord into a wall socket to provide power to the unit.



\*These drawings are for reference only.  
Exact components may differ by region.

**WARNING** - Mechanical and Electrical Hazard. **Disconnect power** prior to maintenance or opening. This equipment is only to be serviced and maintained by a qualified professional.



\*These drawings are for reference only.  
Exact components may differ by region.

Remove the discharge pipe from the top of the Qwik Jon® Premier.



\*These drawings are for reference only.  
Exact components may differ by region.

Remove the discharge pipe.



\*These drawings are for reference only.  
Exact components may differ by region.

Take the lid off the Qwik Jon<sup>®</sup> Premier.



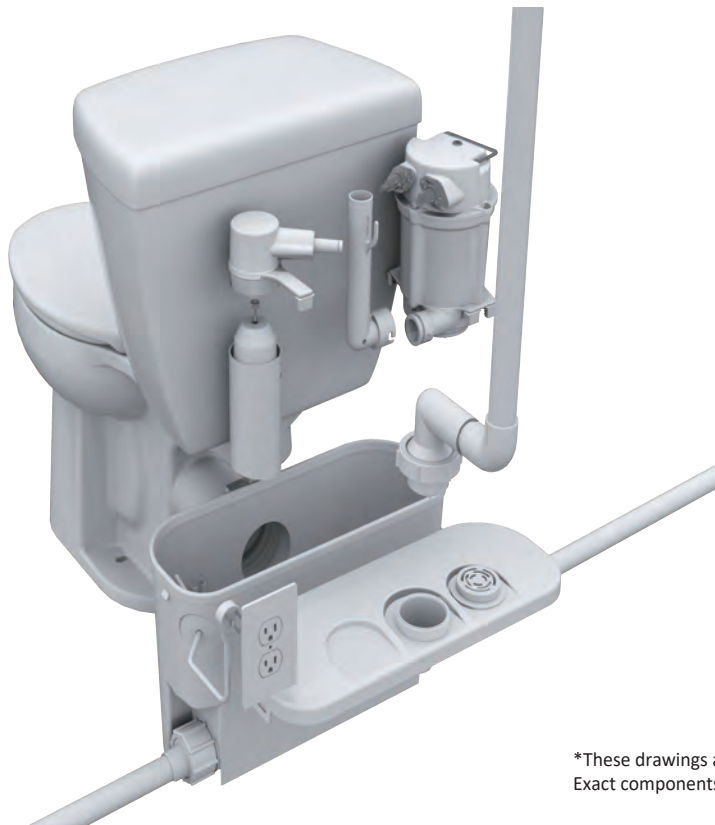
\*These drawings are for reference only.  
Exact components may differ by region.

Lift the switch housing and pump out of the tank.



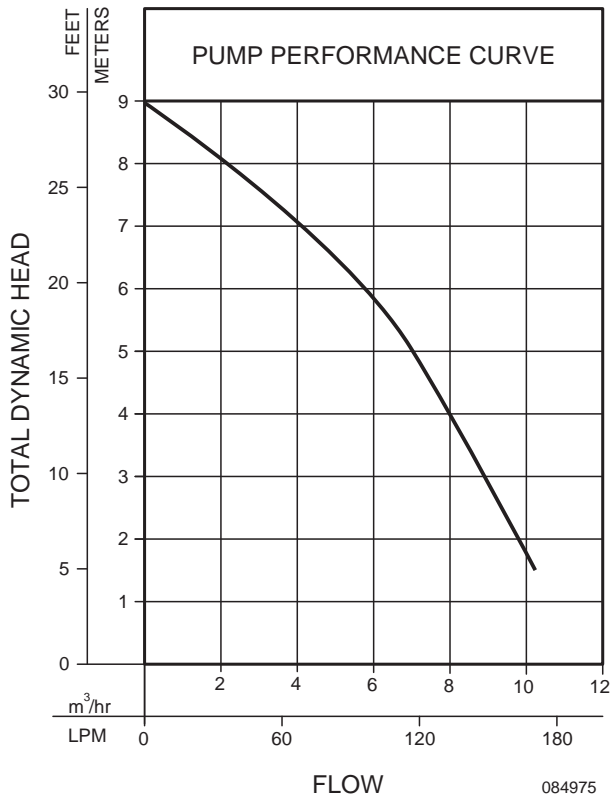
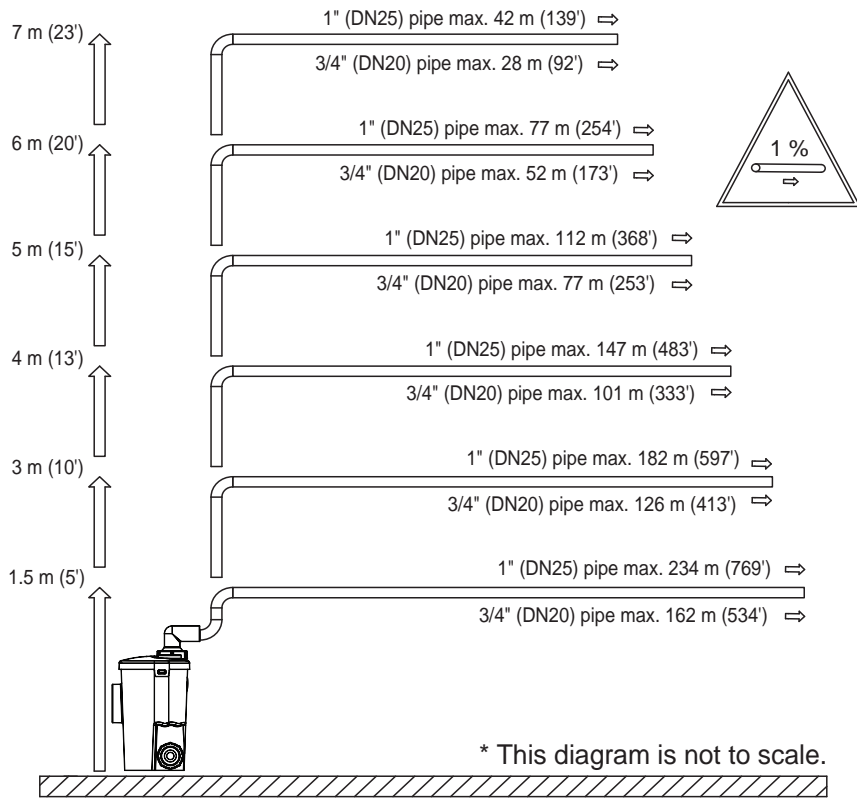
\*These drawings are for reference only.  
Exact components may differ by region.

The discharge elbow pipe can be disconnected from the volute of the pump to be cleared of debris.



\*These drawings are for reference only.  
Exact components may differ by region.

# Pump Performance



TOTAL DYNAMIC HEAD / FLOW			
MODEL		220V / 50Hz	
Feet	Meters	m³ / hr	Liters
5	1.5	10.2	170.3
10	3.0	8.8	147.6
15	4.6	7.4	124.9
20	6.1	5.6	94.6
25	7.6	2.9	49.2
Shut-off Head		9m (29.5ft)	

# 安装前务必详读说明书

Trusted. Tested. Tough.®

文件仅供参考  
若有任何修改  
恕不另行通知

请至美国卓勒水泵公司  
官网完成您的产品注册



50 Hz

Visit our website:  
[www.zoellerpumps.com](http://www.zoellerpumps.com)

## 安装说明书 QWIK JON® PREMIER 201 安装前检查

1. 安装前请仔细检查所有零件。产品如果在运送中受损，请尽快联络经销商，不要从泵上拆下测试塞。
2. 安装前仔细阅读所有提供的文件，熟悉安装细节，并保存资料以供未来参考。



**警告**

1. 为防范使用者触电，本公司所有产品皆配有包含接地功能的电线及三插插头。为确保安全，请勿将插头的接地插销拔除，并确认将插头插入符合国内电工法规的漏电保护插座。
2. 确保故障断路器保护的插座或控制箱在泵的电源线可及的范围内。为确保安全请勿使用延长线。加装延长线容易使水泵马达接收不到足够的电压。更重要的是，若延长线的绝缘遭破坏、或插头松脱掉入水中，将可能造成危险。
3. 请确认在供给水泵电源的电路中加装适当规格的保险丝或断路器。在此建议依照水泵铭牌上的电流值，并参照国内电工法则来选择及安装独立的断路器。
4. 请在安装前测试插座的漏电保护功能。为了安全考量，请使用符合国内电工法规的电路测试仪器来检查插座中的火线、中性线及地线是否配置正确。若发现异常，请联络合格的水电技师来为您解决问题。
5. 为增加安全性使用漏电保护装置，建议漏电流不超过30 mA。
6. 仅允许由持有证照的合格水电技师来进行水泵安装、管路搭配及电路配线。
7. 为避免触电，请勿移除电缆线。
8. 为了保护您的安全，接触水泵前请先拔除电源。
9. 为防范触电，本产品勿用于游泳池。
10. 如果电缆线受损，请联络经销商或全公司核可的服务单位维修。
11. 若无监督本产品不适合儿童、心智不健全或经验不足者使用，前述条件者使用本产品时，监督者应负全部安全责任。
12. 水泵不可使用于饮用水，冷却油有可能会污染水质。



**注意**

1. 本装置可以磨碎并运输粪便、卫生纸。然而，并不代表本公司建议将卫生用品冲入本装置，这可能会造成污水管道阻塞。
2. 检查确认电源符合水泵或装置上铭牌所标示的电力资料。
3. 需依当地法令规章安装所有的装置(包括出口水管及碳制通气阀等)。本装置必须有通气。请勿使用自动管路通气设备，否则马桶将不能冲水。
4. 最高环境温度不得超过华氏104度(摄氏40度)。
5. 请勿使用含漂白剂的清洁剂，清洗马桶水箱、马桶或附属装置品，否则会侵蚀沉水泵密封件。
6. 此产品设计用于一套马桶使用。



**注意**

1. 仅允许由有授权的服务站进行维修服务。
2. 备注：建议1英寸的水管安装以不超过7.6米的垂直高度为原则。迷你磨碎型水泵的设计仅适用于Qwik Jon® Premier装置，不适用于任何其他设施。
3. 型号201可搭配节水马桶(6升)

保固请参阅第2页

# 保固说明

制造商在保修期内向购买者和随后拥有者的保证，每个新产品不会有材料或工艺的瑕疵，在正常使用和维护的情况下，本产品的保固为自购买日起算的两年。需具备购买证明。在保修期内出现故障的零件，经查验若产品的缺陷是由材料或制造过程造成，本公司将负责维修或更换。本公司保留决定是否维修或更换产品、零件或配件的权利。马桶水箱注水、冲水机制受原厂保固，而马桶陶瓷保固仅限于工厂瑕疵。维修或更换期间买方所产生的费用或损失不在保固范围内。对于因产品故障、维修或更换而可能产生的运费、损坏、人工费或其他费用，我们将不予授予。

保固不适用于：

- (1) 未依照说明书安装、操作或维护所造成的故障或损坏。
- (2) 不当操作、意外或疏忽所造成故障或损坏。
- (3) 加装不属于本产品的零、配件。

(4) 未依照当地法规进行安装所造成的危害。

(5) 将产品用在非原本设计的用途上所造成的损坏。(例：抽取沙、碎石、水泥、泥巴、沥青、碳氢化合物及其衍生物、汽油、化学溶剂或其他有腐蚀性的液体、毛巾、女性卫生用品等。)

保固零、配件的退回：在本保固下任何修理或更换需送回本公司或其他本公司所指定的维修服务点，运费需自负。在任何情况下本公司不承担其他责任，包含资产或设备的损坏、利润损失、等.....。

上述为本产品唯一的保固说明，任何人的修改或另做承诺皆为无效。

在因涉嫌产品故障而招致损害的情况下，财产拥有人必须保留该产品以供调查之用。

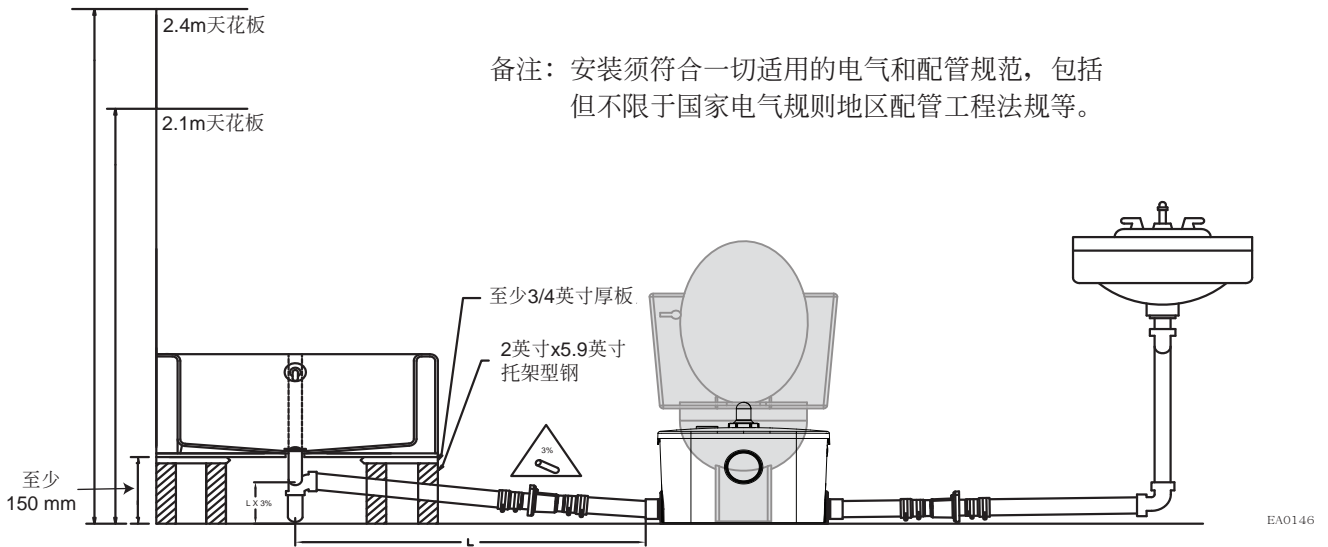
## 轻松安装的要诀

1. 安装前阅读所有指示。
2. 确保安装地面平坦度差异在3mm之内。
3. 安装排水管密封件时，法兰密封面向外面。
4. 必要时请使用肥皂水润滑配件，以协助安装。
5. 在通气口上安装碳制通气阀，需定期更换活性炭滤棉。
6. 请不要过度锁紧马桶安装的固定螺丝。
7. 请避免使用自动管道通气设备。
8. 请纪录本机型号及制造日期，与经销商联络时提供本资讯。

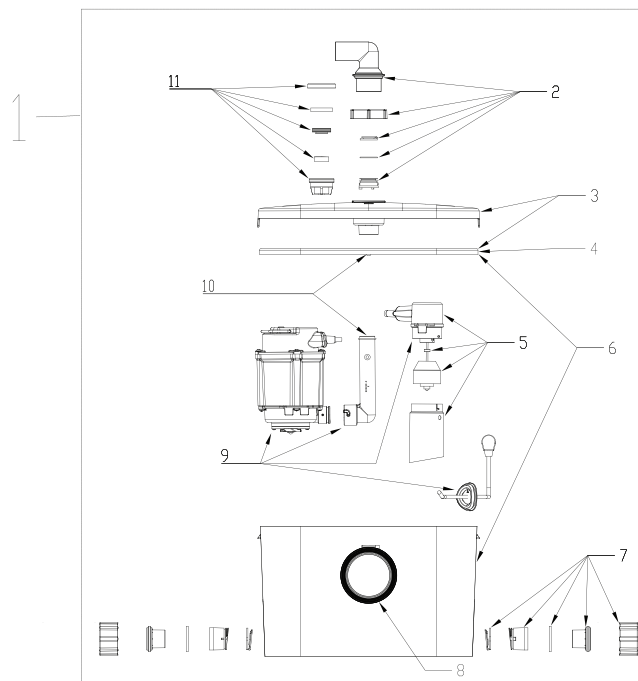
## 安装注意事项

1. 请务必阅读本装置的所有安装资料。
2. 请务必检查装置是否在运送中产生可见的损坏。若装置显示受损，请联络经销商。
3. 请务必清理装置所有可见的杂物。
4. 处理前切断水泵电源，连结到独立受保护的接地漏电流断路器。请勿切断、拼接或损坏电源线。请勿用电源线拉动或举起水泵。请勿使用延长线。
5. 请务必在逆止阀的排水管下游安装球阀或闸阀。
6. 请务必在安装后立即测试水泵，以确认系统正常运作。
7. 请务必详阅所有适用当地及国家规则，确认安装符合各项规定。
8. 不建议将本产品连结到正常浴室设施以外的设施，如洗衣机及洗碗机。
9. 请务必每三个月检查并测试系统的正常运作。

## 建议安装标准的管路设计



## 维修零件



此图可能与产品不完全相同。

项目	描述	维修包或零件号码
1	Qwik Jon® Premier 污水粉碎提升器	201-0005
2	出口管组件维修包	084993
3	本体盖维修套件	085159
4	箱体密封维修包	085160
5	开关外壳及浮球维修包	085161
6	水箱维修包	085162
7	侧进入水阀维修包	084672
8	波形弯管维修包	084840
9	水泵维修包	085163
10	出水弯管维修包	085164
11	通气阀维修包	084858



异常状况	可能原因	补救措施
A. 水泵未开始运作。	低电压、保险丝烧断、电路中断。	由合格电气技师检查保险丝和电路。
	叶轮卡住。	联络经销商。
	马达或电线短路。	
	浮球开关上有杂物。	去除杂物
B. 水泵太快启动。	浮球”启动”点调得太低。	调整浮球设定。
C. 水泵太慢启动。	浮球”启动”点调得太高。	调整浮球设定。
D. 水泵不停止或在抽水前运转太久。	水泵未连接到外接浮球开关插座。	确认水泵电线连接到外接式浮球开关。
	浮球下方有杂物。	去除浮球周围的杂物。
	浮球开关故障。	联络经销商。
	浮球”停止”点调得太低。	提高下端浮球制子。
	水泵气锁。	确保排放管中的通气孔畅通。
	水位太低。	提高下端浮球制子。
	污物累积, 造成通道不良。	按下马桶冲水柄15秒。若装置未畅通, 拔除插头等待30分。将装置的插头插回, 重复此动作。若装置仍未关闭, 必须打开装置移除杂物。
E. 水泵运转正常, 但抽不到水或水流量太少。	进水口周围有杂物。	清理进水口附近区域。
	排放管堵塞。	必要时卸除排放管, 冲走杂物。
	电压太低或不当电压。	由合格电气技师检查家庭管线。
	叶轮受损。	联络经销商。
	浮球调整不当。	联络经销商。
	水泵气锁。	确保排放管中的通气孔畅通。
	安装扬程超过系统设计的扬程。	更换排放管或联络经销商。



### 警告

在维修沉水泵之前, 须关闭总电源断路器, 拔除水泵插头, 确保人未站在水中, 且穿上绝缘保护底的鞋子。水溢流时, 联络当地的电力公司, 或有执照的合格电气技师, 在移除管之前进行断电。

### 警告

本水泵含冷却油, 在运作状态下会受压变热, 断电后等待2.5小时再进行维修。如果以上检查点都无法排除问题, 请与经销商联络, 不要尝试维修或拆除沉水泵及其他零件。

### 注意

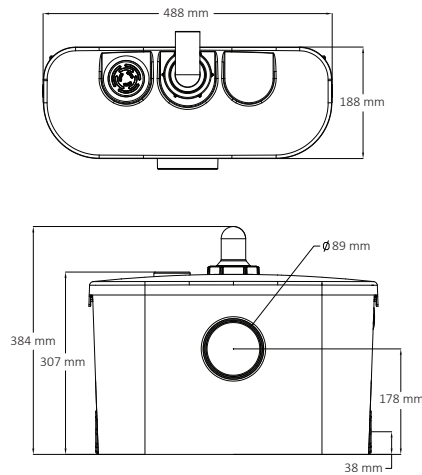
不要将女性生理用品、可抛弃式尿片、抹布等丢入QWIK JON® REMIER这可能堵塞水泵或其他管道, 导致故障。

完成后的保养: 仅建议使用肥皂和水清洗水箱外侧。其他清洁产品可能造成褪色和刮伤。

以上任何清理请洽原购置经销商或指定维修单位。

# Qwik Jon® Premier 参考手册

## 尺寸



对于允许使用活性炭通气阀的市场安装  
请定期更换活性炭滤棉或卓勒品号081887



## 步骤 1

## 位置选择

### 请仔细规划后再施工。

**地板:**地板结构须稳固,地板凹凸面高低差在3mm之内。若地板不平,使用水泥或类似材料校平。

**水:**马桶运作需有供水源。通常1/2英寸(外径 $\varnothing 20$ mm)管配备截流阀就足够。

**电器:**需要115/220伏特含接地漏电断路器的插座以供应电源到水泵。

**下水道:**需要连结到粪管排放。Qwik Jon® PREMIER 要求有1英寸(25mm)或外径 $\varnothing 32$ mm(若当地规则许可,也可为3/4英寸(19mm))或外径 $\varnothing 25$ mm的管路,以连结到既有的粪管。

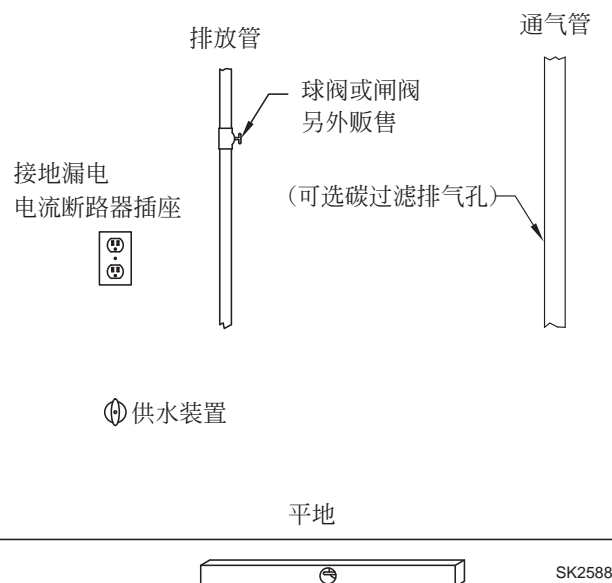
排放管路上应安装球阀或闸阀。

**碳制通气阀:**需定期更换活性炭滤棉。不建议采用机械式通气系统。

**备注:**若欲采用隐藏安装,请将提升器设在维修人员有足够空间维修拆装的地方。

在尝试安装,维修或维护系统之前,请务必断开电源。

切勿用湿手或在潮湿或潮湿的表面或水中站立时操作泵。可能会导致致命的电击。



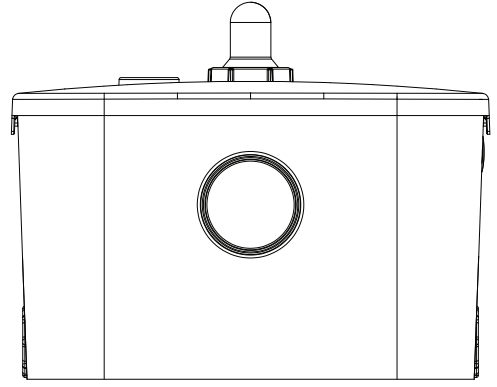
QWIK JON® PREMIER  
MODEL 201

**▲ 注意**

勿使用木质垫片校平提升器。

**▲ 注意**

确保钉子、螺丝或其他尖锐物不会刺穿提升器。  
使用水硬水泥或类似材料将水泵校平至差距在 3mm 之内。



步骤 3

**简图(独立式安装)**

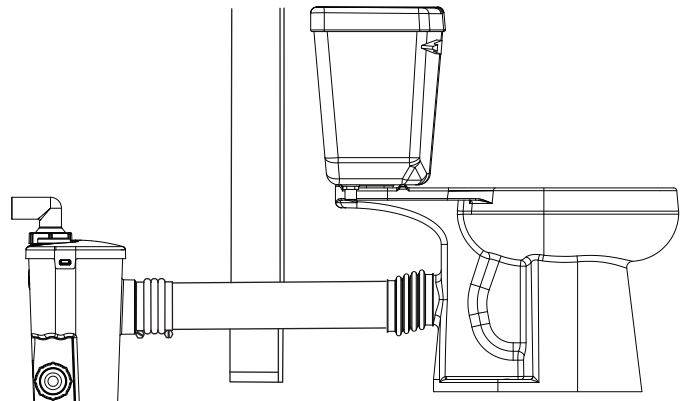
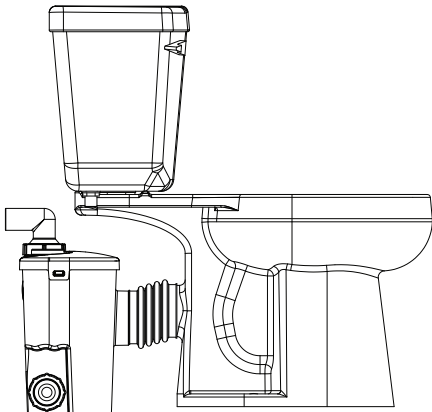
- 1) 将本体安置在离墙至少3mm处，进水口朝前。使用提供的蜗轮式夹件，将伸缩管安装到进水口。
- 2) 将马桶安置在主体前面，马桶排放管和提升器装置进水口的位置需对正。确保伸缩管足以跨接间隙，以进行最后安装。马桶水箱应离墙至少13mm。
- 3) 在地板上轻轻标记提升器装置、马桶和马桶螺丝的位置。在墙上轻轻标记水泵装置及马桶水箱底部和侧边的高度，以确保未来实际安装马桶水箱和管路时，不会发生干涉。
- 4) 将马桶卸离提升器，另外安放。

**简图(隐藏式安装)**

- 1) 安装墙后水泵组须有另外贩卖的延伸套件(品号10-3050)。
- 2) 将马桶组件安置在离墙至少13mm处，并在地板上标记马桶螺丝的位置。
- 3) 测量适当的长度89mm (3-1 / 2")，测量延伸套件中的PVC规格Schedule 40管径3½英寸的水管所需长度再加以裁切安装。参见右图。
- 4) 将马桶另外安放。

**▲ 注意**

马桶组件头重脚轻，要特别注意，确保马桶不会倾倒破碎。



将后排便桶连接到 Qwik Jon® Premier 的前入口。确保连接符合本地，区域，或州的标准。



\*以上图面仅供参考，配置将因不同国家或区域而有所不同。

## 步骤 4

## 配管安装

- 1) 依 1 英寸(外径 $\text{\O}32\text{mm}$ )排放管(若法规允许, 可降低至使用 3/4 英寸(外径 $\text{\O}25\text{mm}$ )直径排放管)的需求, 裁切并试接配件。
- 2) 在试接排放管时, 安放并标记水泵装置排放配件的位置。

### ▲ 注意

马桶冲水需要适当的通气。不要使用机械式通气系统。

- 3) 暂时将马桶安放在位置上, 检查是否有管道干涉情况。卸下马桶放在一旁。
- 4) 请依照正规接管程序进行安装。

### ▲ 注意

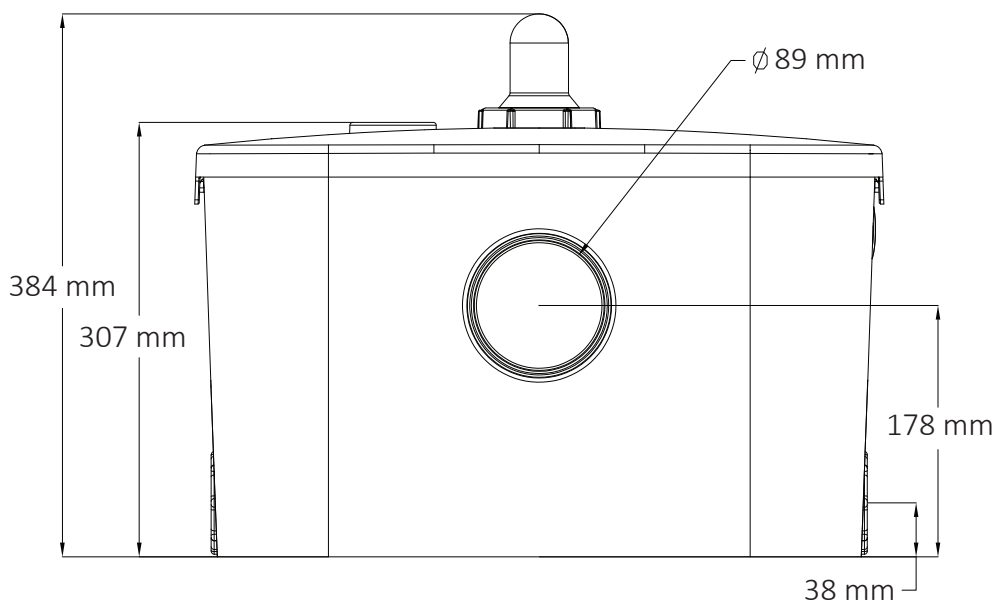
进行溶剂熔接到排放配件时, 应确保溶剂不会流入逆止阀装备。注意适当校直先前标记的排放配件。

- 5) 定期更换活性炭滤棉, 以达到适当的通气。

备注: 增加其他浴室配备—— Qwik Jon® Premier 的设计可以利用两侧边的进水口, 接受额外的浴室配备。可直接接 1 英寸或外径 $\text{\O}32\text{mm}$ 直管, 简单的扭转转接头并且切出模内插件所提供的刻痕。

### ▲ 注意

完整的切除并且移除毛边及粗糙的边缘来防止阻塞。塑胶螺母不可使用工具锁紧, 若发生漏水请更换 O 型环。



将所需的进水管从其他固定装置连接到Qwik Jon® Premier的侧面进水管。  
使用1-3/4英寸（44毫米）孔锯在侧面入口处切孔。



\*以上图面仅供参考，配置将因不同国家或区域而有所不同。

将排放管连接到Qwik Jon® Premier的顶部。



\*以上图面仅供参考，配置将因不同国家或区域而有所不同。

如果需要，将所有入口管道连接到Qwik Jon® Premier



\*以上图面仅供参考，配置将因不同国家或区域而有所不同。

## 步骤 5

## 电源

将电源线插入墙壁插座以为设备供电。



\*以上图面仅供参考，配置将因不同国家或区域而有所不同。

**警告**

机械和电气危险。在维护或打开之前，先断开电源。  
本设备只能由合格的专业人员进行维修和保养。



\*以上图面仅供参考，配置将因不同国家或区域而有所不同。

从Qwik Jon® Premier的顶部卸下排放管。



\*以上图面仅供参考，配置将因不同国家或区域而有所不同。

拆下排放管。



\*以上图面仅供参考，配置将因不同国家或区域而有所不同。

取下Qwik Jon® Premier的盖子。



\*以上图面仅供参考，配置将因不同国家或区域而有所不同。



将浮子开关盒及泵从水箱取出。



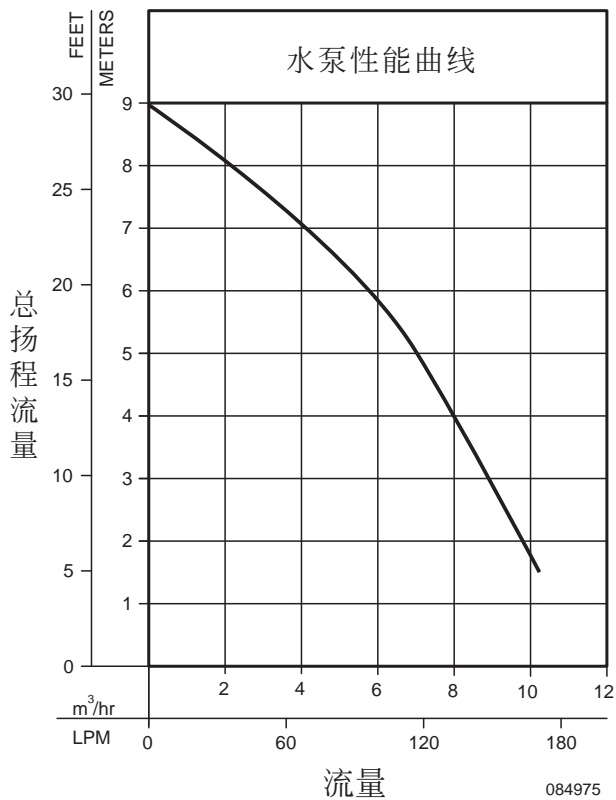
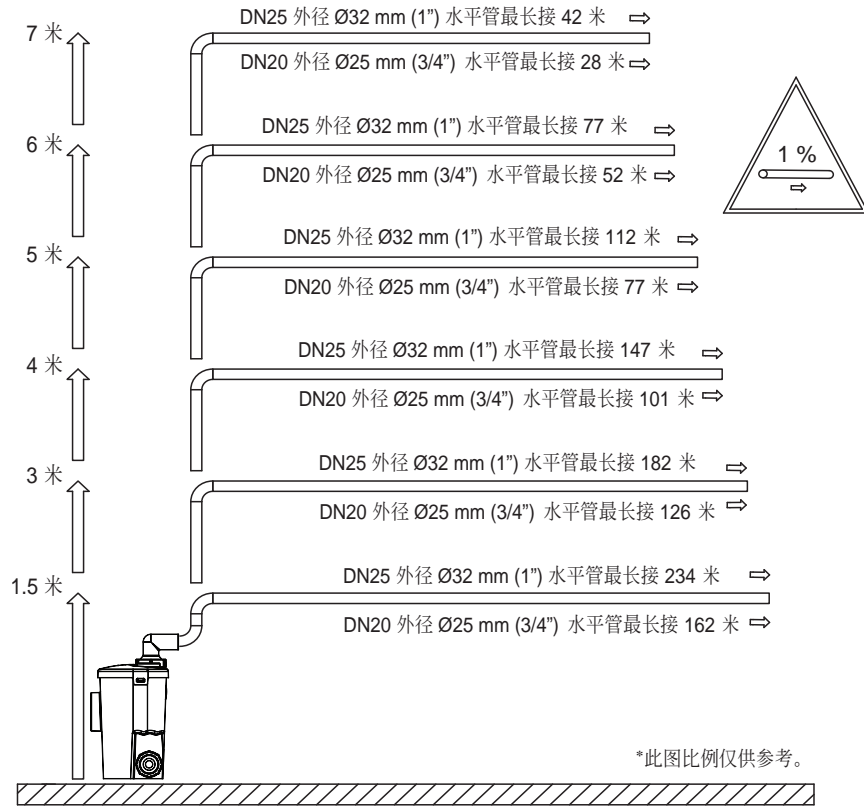
\*以上图面仅供参考，配置将因不同国家或区域而有所不同。

将排放弯管与泵的水机断开，以清除碎屑。



\*以上图面仅供参考，配置将因不同国家或区域而有所不同。

# 水泵性能



总动力扬程/流量			
型号		220V/50Hz	
英尺	米	m <sup>3</sup> /hr	LPM
5	1.5	10.2	170.3
10	3.0	8.8	147.6
15	4.6	7.4	124.9
20	6.1	5.6	94.6
25	7.6	2.9	94.6
全闭扬程		9m (29.5ft)	