



**QWIK JON® CHOICE**  
MODEL #200

<https://www.zoellerpumps.com/zh-cn/>  
<https://www.zoellerpumps.com/en-na/>

**QUICK REFERENCE GUIDE.  
SEE INSTRUCTION MANUAL FOR  
COMPLETE DETAILS.**



**1** Connect the rear discharge toilet to the front inlet of the Qwik Jon® Choice. Ensure the connections are in accordance with local, regional, and state codes.



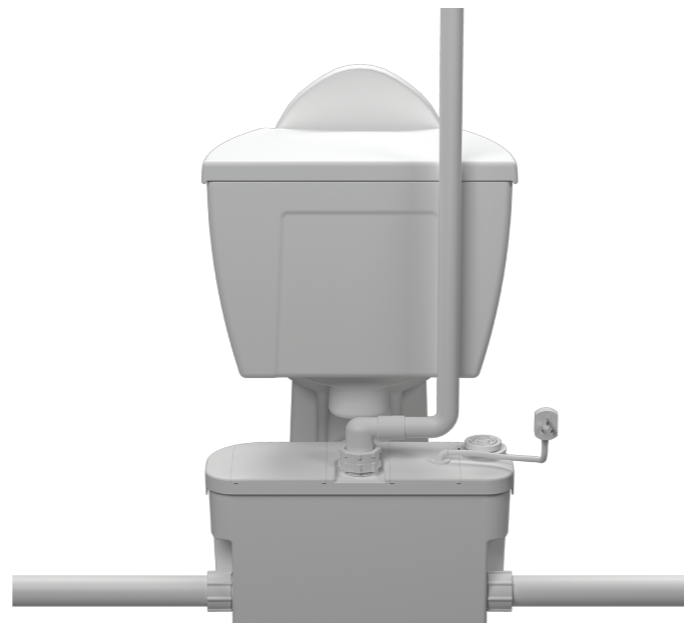
**2** Connect the drain pipe from another bathroom fixture to the side inlet on the Qwik Jon® Choice. Notice the side inputs have built in check valves and are compatible with many piping sizes. Ensure the connections are in accordance with local, regional, and state codes.



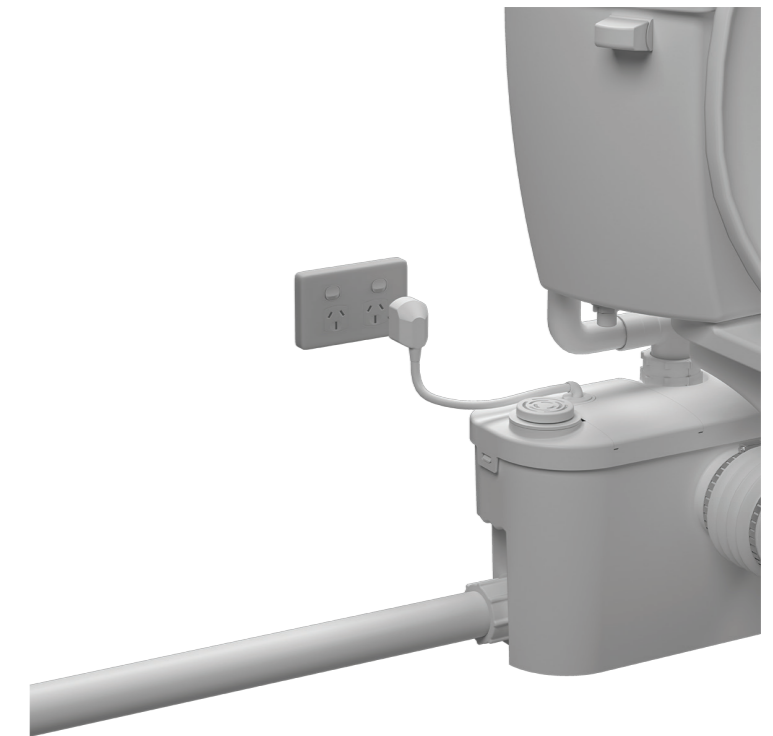
**3** Connect the discharge pipe to the top of the Qwik Jon® Choice.



**4** The Qwik Jon® Choice has an inlet on either side allowing side inlet connections from other bathroom fixtures.



**5** Plug the power cord into a wall socket to provide power to the unit.



**FIRE/EXPLOSION HAZARD.**

Do not pump flammable or explosive fluids such as gasoline, fuel oil, kerosene, etc. Do not use in a flammable and/or explosive atmosphere. Failure to follow these warnings could result in death or serious injury and/or property damage.



Qwik Jon® CHOICE  
MODEL #200

# 快速安装说明

如需要完整细节，请见安装手册  
<https://www.zoellerpumps.com/zh-cn/>  
<https://www.zoellerpumps.com/en-na/>



**1** 请将后排式马桶连接到Qwik Jon® Choice前方正面入水口，请确保安装条件符合当地建筑法规。



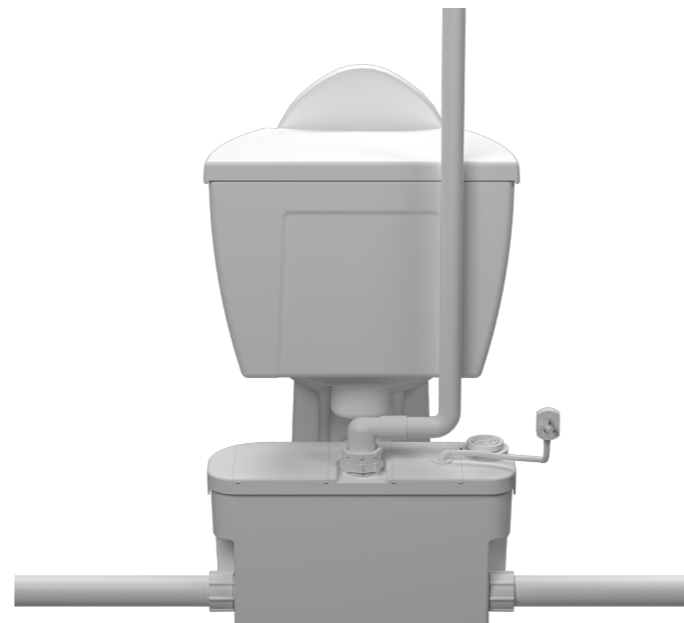
**2** 您可将其他卫浴设备的排水管连接至Qwik Jon® Choice两侧入水口，请注意Qwik Jon® Choice两侧入水口备有内建式止回阀，并且可以搭配多种尺寸管件。



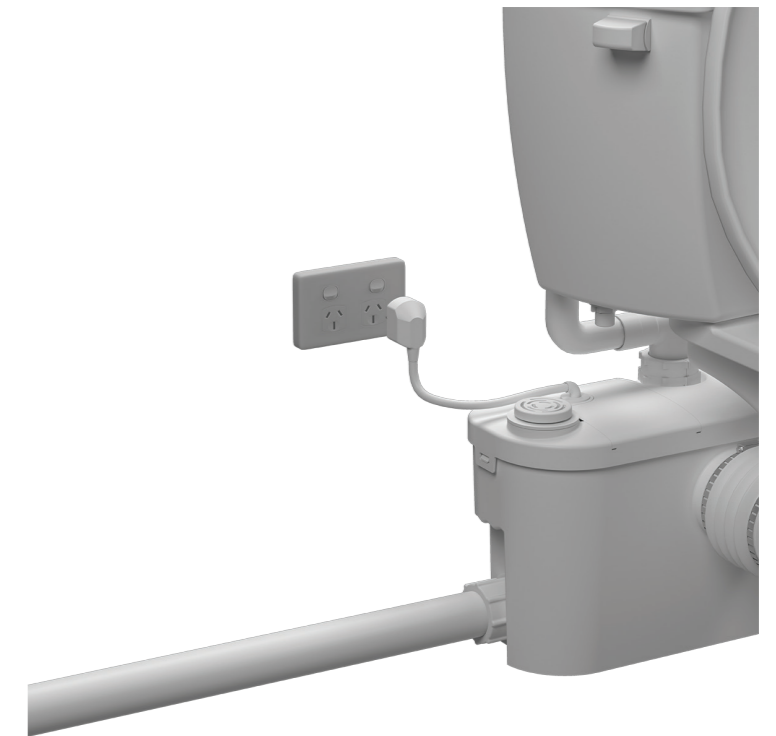
**3** 将排水管连接到Qwik Jon® Choice上方出水口接头。



**4** Qwik Jon® Choice提升器两侧备有侧入水口，可以连接其他卫浴设备。



**5** 确定入水，出水管安装无误后将提升器插头连接至墙上电源插座。



## 火灾/爆炸危险提醒

请勿泵送易燃或易爆液体，例如汽油，燃料油 及煤油等。  
请勿在易燃和/或易爆性的环境中使用。  
如不遵守这些警告可能会导致死亡或重伤和/或财产损失。