

NOTICE TO INSTALLER: Instructions must remain with installation.

ZT0155_ECa

0521

Supersedes

0818

Trusted. Tested. Tough.®

Product information presented here reflects conditions at time of publication. Consult factory regarding discrepancies or inconsistencies.



60 Hz

Visit our web site:
zoellerpumps.com

Patent No. 7,203,976
Other Patents Pending

QWIK JON® ULTIMA 202 SYSTEM INSTALLATION INSTRUCTIONS PREINSTALLATION CHECKLIST

MODEL NO. _____
DATE CODE: _____
DATE INSTALLED: _____

1. Inspect all materials. Occasionally, products are damaged during shipment. If the unit is damaged, contact your dealer before using. **Do Not** remove the test plugs from the pump.
2. Carefully read all the literature provided to familiarize yourself with specific details regarding installation and use before attempting the installation. These materials should be retained for future reference.



WARNING

SEE BELOW FOR LIST OF WARNINGS

SAFETY INSTRUCTIONS

1. **Make sure there is a properly grounded receptacle available.** All pumps are furnished with provisions for proper grounding to protect you against the possibility of electrical shock.
2. Make certain that the receptacle is within the reach of the pump's power supply cord. **DO NOT USE AN EXTENSION CORD.** Extension cords that are too long or too light do not deliver sufficient voltage to the pump motor, and they could present a safety hazard if the insulation were to become damaged or the connection end were to fall into a wet or damp area.
3. **Make sure the pump electrical supply circuit is equipped with fuses or circuit breakers of proper capacity.** A separate branch circuit is recommended, sized according to governing electrical code for the current shown on the pump nameplate.
4. **Testing for ground.** As a safety measure, each electrical outlet should be checked for ground using a circuit analyzer which will indicate if the power, neutral and ground wires are correctly connected to your outlet. If they are not, call a qualified licensed electrician.
5. **For Added Safety.** Use of a residual current device with an operating current not higher than 30 mA is recommended.
6. **FOR YOUR PROTECTION, ALWAYS DISCONNECT PUMP FROM ITS POWER SOURCE BEFORE HANDLING. DO NOT, UNDER ANY CIRCUMSTANCES, REMOVE THE GROUND PIN.** The 3-prong plug must be inserted into a mating 3-prong grounded receptacle. If the installation does not have such a receptacle, it must be changed to the proper type, wired and grounded in accordance with the governing electrical code and all applicable local codes and ordinances.
7. **Risk of electrical shock.** Do not remove power supply cord and strain relief or connect conduit directly to the pump.
8. Installation and servicing of pump, electrical circuits, and hardware should be performed by a qualified licensed electrician.
9. **Risk of electrical shock.** These pumps have not been investigated for use in swimming pool and marine areas.
10. If the supply cable is damaged, it must be replaced by the manufacturer or its technical service or similarly qualified persons in order to avoid a hazard.
11. The appliance is not intended for use by persons (including children) with reduced physical, sensory or mental capabilities, or lack of experience and knowledge, unless they have been given supervision or instruction to concerning use of the appliance by a person responsible for their safety.
12. Pump is not intended for potable water due to possible contamination by oil contained in the pump.

TO AVOID SERIOUS OR FATAL PERSONAL INJURY OR MAJOR PROPERTY DAMAGE, READ AND FOLLOW ALL SAFETY INSTRUCTIONS IN THIS MANUAL AND ON THE PUMP.

THIS MANUAL IS INTENDED TO ASSIST IN THE INSTALLATION AND OPERATION OF THIS UNIT AND MUST BE KEPT WITH THE PUMP.



This is a **SAFETY ALERT SYMBOL.**

Symbol on the pump or in the manual, look for one of the following signal words and be alert to the potential for personal injury or property damage.



Warns of hazards that **CAN** cause serious personal injury, death or major property damage.



Warns of hazards that **CAN** cause personal injury or property damage.



Warns of electrical shock hazards that can cause serious personal injury, death or major property damage.



Identifies any terminal which is intended for connection to an external conductor for protection against electrical shock in case of a fault, or the terminal of a protective earth (ground) electrode.



Read operator's manual.

THOROUGHLY REVIEW ALL INSTRUCTIONS AND WARNINGS PRIOR TO PERFORMING ANY WORK ON THIS PUMP. MAINTAIN ALL SAFETY DECALS.

REFER TO WARRANTY ON PAGE 2.

P/N 082998

⚠ CAUTION

SEE BELOW FOR LIST OF CAUTIONS

⚠ NOTES

SEE BELOW FOR LIST OF NOTES

1. The QWIK JON® ULTIMA is fitted with a specially designed grinder pump and is capable of pumping faecal matter, toilet paper and also sanitary articles which might accidentally be dropped into the toilet. It is not the manufacturer's suggestion to flush such foreign objects into the sewer main as they might clog the sanitary sewer.
2. Check to be sure your power source is adequate to handle the amperage requirements of the motor as indicated on the pump or unit I.D. tag.
3. All plumbing (discharge and carbon filter vent) must be installed to meet local codes. **Unit must be vented. Do not use an automatic plumbing vent device. Toilet will not flush.**
4. Maximum operating temperature for model 202 must not exceed 40 °C (104 °F).
5. Do not use cleaning products containing bleach in the toilet tank, toilet or attached fixtures as they will degrade the pump seals.
6. **This product is designed for use with one toilet only.**

1. Repair and service should be performed by an Authorized Service Station only (Consult Factory).
2. NOTE: Recommended for installations up to 6.1 m (20') total dynamic head. Consult Factory if installation is above 4.6 m (15') vertical height in 25 mm (1") pipe. Mini-Grinder Pump is designed for use in Qwik Jon® Ultima units only. It is not designed for use in any other application.
3. Model 202 is designed to accommodate 6 litres (1.6 gallons) per flush.
4. All fixtures connecting to the system must be on the same floor level.

LIMITED WARRANTY

Manufacturer warrants, to the purchaser and subsequent owner during the warranty period, every new product to be free from defects in material and workmanship under normal use and service, when properly used and maintained, for a period of one year from date of purchase by the end user, or 18 months from date of original manufacture of the product, whichever comes first. Parts that fail within the warranty period, one year from date of purchase by the end user, or 18 months from the date of original manufacture of the product, whichever comes first, that inspections determine to be defective in material or workmanship, will be repaired, replaced or remanufactured at Manufacturer's option, provided however, that by so doing we will not be obligated to replace an entire assembly, the entire mechanism or the complete unit. No allowance will be made for shipping charges, damages, labor or other charges that may occur due to product failure, repair or replacement.

This warranty does not apply to and there shall be no warranty for any material or product that has been disassembled without prior approval of Manufacturer, subjected to misuse, misapplication, neglect, alteration, accident or uncontrolled weather event; that has not been installed, operated or maintained in accordance with Manufacturer's installation instructions; that has been exposed to outside substances including but not limited to the following: sand, gravel, cement, mud,

In those instances where damages are incurred as a result of an alleged pump failure, the Homeowner must retain possession of the pump for investigation purposes.

tar, hydrocarbons, hydrocarbon derivatives (oil, gasoline, solvents, etc.), or other abrasive or corrosive substances, wash towels or any other abusive entity, etc. in all pumping applications. The warranty set out in the paragraph above is in lieu of all other warranties expressed or implied; and we do not authorize any representative or other person to assume for us any other liability in connection with our products.

Contact authorized distributors to obtain any needed repair or replacement of part(s) or additional information pertaining to our warranty.

MANUFACTURER EXPRESSLY DISCLAIMS LIABILITY FOR SPECIAL, CONSEQUENTIAL OR INCIDENTAL DAMAGES OR BREACH OF EXPRESSED OR IMPLIED WARRANTY; AND ANY IMPLIED WARRANTY OF FITNESS FOR A PARTICULAR PURPOSE AND OF MERCHANTABILITY SHALL BE LIMITED TO THE DURATION OF THE EXPRESSED WARRANTY.

Some jurisdictions do not allow limitations on the duration of an implied warranty, so the above limitation may not apply to you. Some jurisdictions do not allow the exclusion or limitation of incidental or consequential damages, so the above limitation or exclusion may not apply to you.

This warranty gives you specific legal rights and you may also have other rights which vary from jurisdiction to jurisdiction.

HELPFUL HINTS FOR EASY INSTALLATION

1. Read all instructions before beginning installation.
2. Be sure the floor is level within 3 mm (1/8").
3. Install vent pipe seal with flange side of seal on outside of lid.
4. Use soapy water to lubricate all seals to aid installation.
5. Install rubber coupling/union in vent line to aid disassembly.
6. Do not over torque toilet mounting screws.
7. Do not use an automatic plumbing vent device.
8. Obtain model number and date code, and record information in the space provided on the front of this manual. Refer to this information when calling the factory.

DO'S AND DON'T'S, *continued*

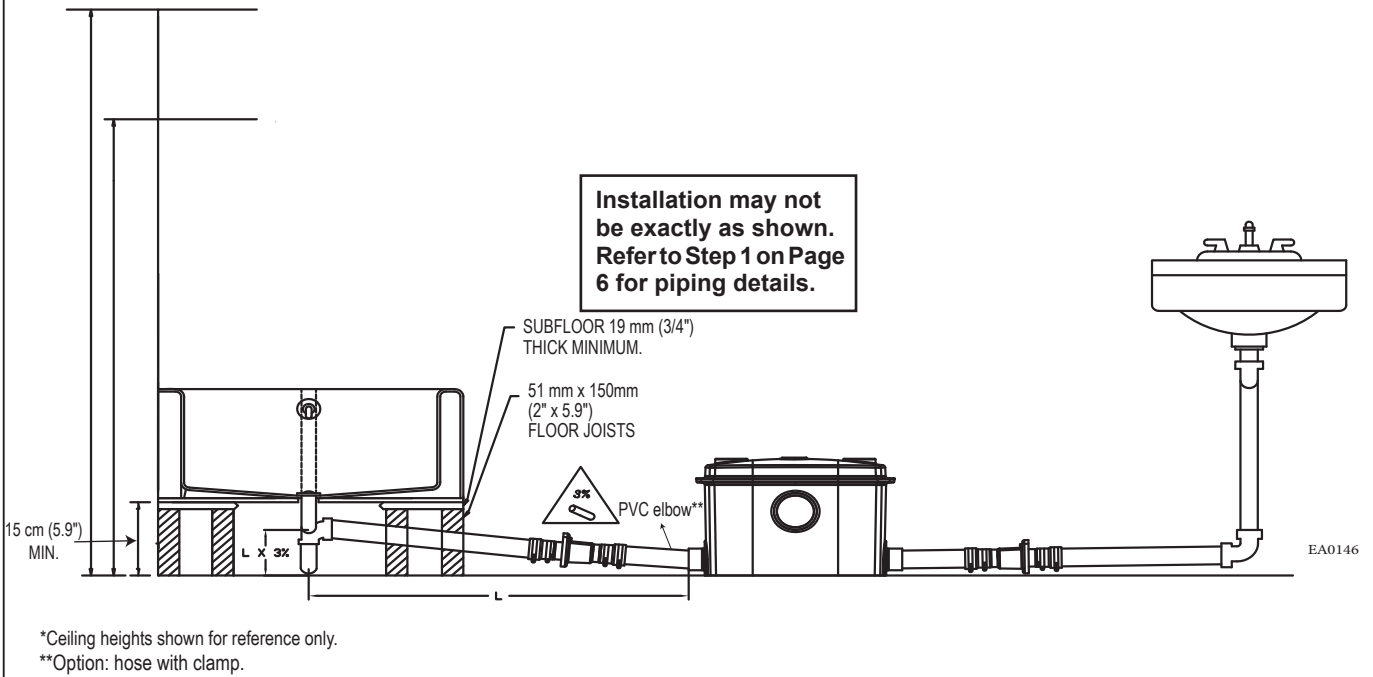
3. DO clean all visible debris from the unit.
4. DO always disconnect pump from power source before handling. DO always connect to a separately protected and properly grounded ground fault protected circuit. DO NOT ever cut, splice or damage power cord. DO NOT carry or lift pump by its power cord. DO NOT use an extension cord.
5. DO install a ball or gate valve and a union in the discharge line downstream of the check valve.
6. DO test pump immediately after installation to be sure that the system is working properly.
7. DO review all applicable local and national codes and verify that the installation conforms to each of them.
8. We DO NOT recommend this product be connected to utilities other than those found in a normal bathroom application. Washing machines and dishwashers are examples of equipment that we DO NOT recommend.
9. DO inspect and test system for proper operations at least every 3 months.

DO'S AND DON'T'S FOR INSTALLING A UNIT

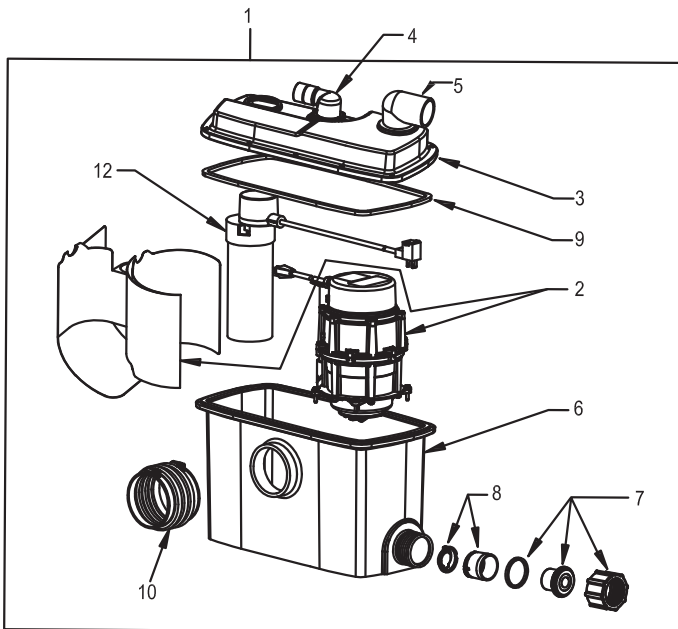
1. DO read all installation material with the unit.
2. DO inspect unit for any visible damage caused by shipping. Contact dealer if unit appears to be damaged.

TYPICAL PIPING CONFIGURATIONS

NOTE: All installations must comply with all applicable Electrical and Plumbing Codes, including, but not limited, to National Electrical Code, Local, Regional and/or State Plumbing Codes, etc.

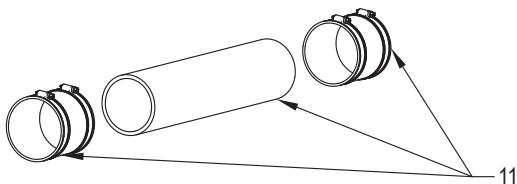


SERVICE PARTS



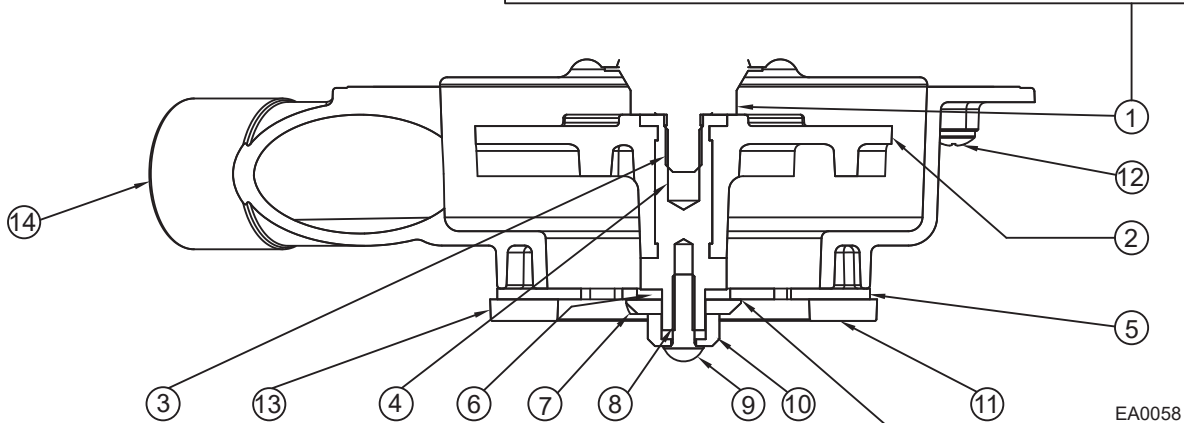
Item	Description
1	Qwik Jon® Ultima Sewage Removal System
2	Grinder pump with discharge pipe and deflector
3	Tank cover
4	Discharge fittings
5	Vent pipe or Carbon filter vent
6	Tank
7	Nut with straight pipe adapter
8	Check valve
9	Seal
10	Rubber coupling with hose clamps
11	Extension kit for behind the wall install (optional)
12	Piggyback switch

EA0068



Service Parts

NOTE 1 : DRY-RUN 10 SECONDS BEFORE LEAK TEST.
DO NOT APPLY OIL TO SEAL FACE



EA0058

NOTE 2 : Washers are required between the cutter plate and the cutter.
Amount of washers may vary. The gap between the cutter plate and
the cutter is 0.02~0.15 mm. The cutter should not touch the cutter plate.

Item	Description	Part No.	Quantity
1	Seal	009567	1
2	Impeller Plastic	083853	1
3	Loctite - Impeller to Rotor	LOCTITE #222 - PINK	-----
4	Shaft	-----	-----
5	Disc,Cutter SS	083224	1
6	Washer,Shim	083104	Amount of washers may vary. (See Note 2)
		083105	
		083106	
		083107	
		083108	
7	Cutter	151602	1
8	Loctite - Cutter Retaining Screw	LOCTITE #222 - PINK	-----
9	Screw	001884	1
10	Retainer	150635	1
11	Screw	017341	8
12	Screw	018568	6
13	Guard,Cutter Plastic	150415	1
14	Pump Housing	083991	1

Condition	Possible Cause	Remedy
A. PUMP WILL NOT START OR RUN.	Low voltage, blown fuse, open circuit.	Have a qualified electrician check fuse and circuit.
	Impeller bound.	Contact a Zoeller Service Station.
	Motor or wiring shorted.	
	Debris on float switch.	Remove debris
B. PUMP STARTS TOO SOON.	Float "ON" point is adjusted too low.	Raise the float stops, make sure the float is between the two stops.
C. WATER LEVEL EXCESSIVE BEFORE PUMP TURNS ON.	Float "ON" point adjusted too high.	Lower the upper float stop.
D. PUMP WILL NOT SHUT OFF OR RUNS TOO LONG BEFORE WATER IS PUMPED.	Debris under float.	Remove debris from around float.
	Faulty float switch.	Contact a Zoeller Service Station.
	Float "Off" point adjusted too low.	Raise the lower float stop.
	Pump is air locked.	Make sure vent hole in discharge pipe is clear.
	Water level too low.	Raise the lower float stop.
	Waste material has accumulated blocking flow of material.	Hold flush handle down on toilet for 15 seconds. If unit will not clear, unplug and wait 30 minutes. Plug unit back in and repeat. If unit still will not turn off, it will need to be opened and the debris relocated.
E. PUMP OPERATES BUT DELIVERS LITTLE OR NO WATER.	Debris around intake.	Clean area around intake.
	Blockage in discharge pipe.	Remove pipe and flush out debris.
	Low or incorrect voltage.	Have a qualified electrician check house wiring.
	Damaged Impeller.	Contact a Zoeller Service Station.
	Incorrect float adjustment.	Contact Technical Service Department.
	Pump is air locked.	Make sure vent hole in discharge pipe is clear.
	Vertical lift too high.	Change discharge piping or contact Technical Service Department.



▲ WARNING Before servicing a pump, always shut off the main power breaker and then unplug the pump - making sure you are not standing in water and are wearing insulated protective sole shoes. Under flooded conditions, contact your local electric company or a qualified licensed electrician for disconnecting electrical service prior to pump removal.

▲ WARNING Submersible pumps contain oil which become pressured and hot under operating conditions - **allow 2-1/2 hours after disconnecting before attempting service.**

If the above checklist does not solve the problem, consult local agent e-mail to sales@zoeller.com.tw.

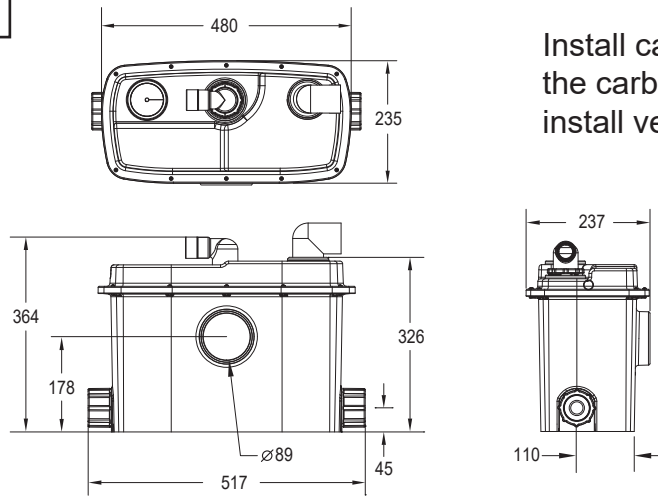
Do not attempt to service or otherwise disassemble pump.

▲ CAUTION The QWIK JON® ULTIMA is fitted with a specially designed grinder pump and is capable of pumping faecal matter, toilet paper and also sanitary articles which might accidentally be dropped into the toilet. It is not the manufacturer's suggestion to flush such foreign objects into the sewer main as they might clog the sanitary sewer.

CARE OF FINISH: Soap and water is all that is recommended for cleaning the outside of the tank. Other cleaning products may cause discoloration and scratching.

Qwik Jon® Ultima Qwik Reference Guide

Dimensions



Install carbon filter vent, please replace the carbon filter periodically, no need to install vent pipe.

Unit : mm

EA0080

STEP 1

Location Selection

Plan your new installation carefully.

Floor: The floor should be structurally sound and level within 3 mm (1/8"). If the floor is not level, use hydraulic cement or similar material to level the floor.

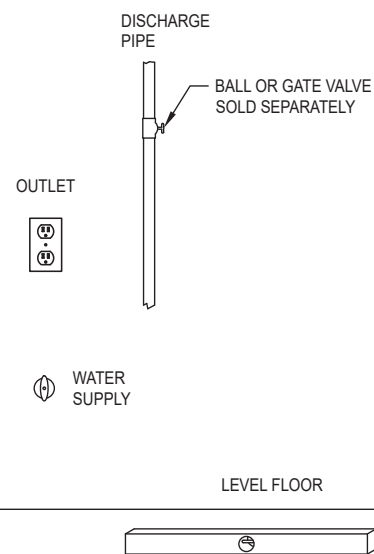
Water: A water supply will be needed to operate the toilet. Usually a DN15 (1/2") line with a shut-off valve is sufficient.

Electrical: A 115 volt receptacle will be needed to supply electrical power to the pump.

Sewage: Access to a sewage line is required. The Qwik Jon® Ultima requires a DN25 (1") [or DN20 (3/4") if your codes permit] sewage discharge line to connect to an existing sewage line. A ball or gate valve should be installed in the discharge line.

Carbon filter vent: Please replace the carbon filter periodically. The use of a mechanical vent system is NOT recommended as the toilet will not flush.

NOTE: If a built-in installation is to be used, locate the pump unit in an area that will allow access to the pump and switch.



SK2588

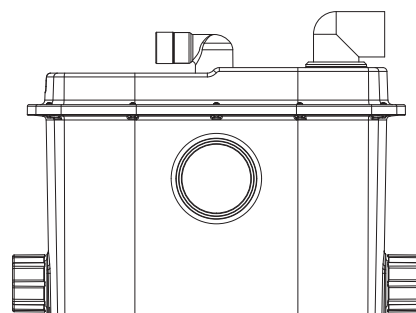
STEP 2

Leveling of Pump Unit

CAUTION Do not use wooden shims to level the pump unit!

CAUTION Ensure that nails, screws or other sharp objects do not puncture the pump unit!

Level the pump unit to within 3 mm (1/8") using hydraulic cement or similar material.

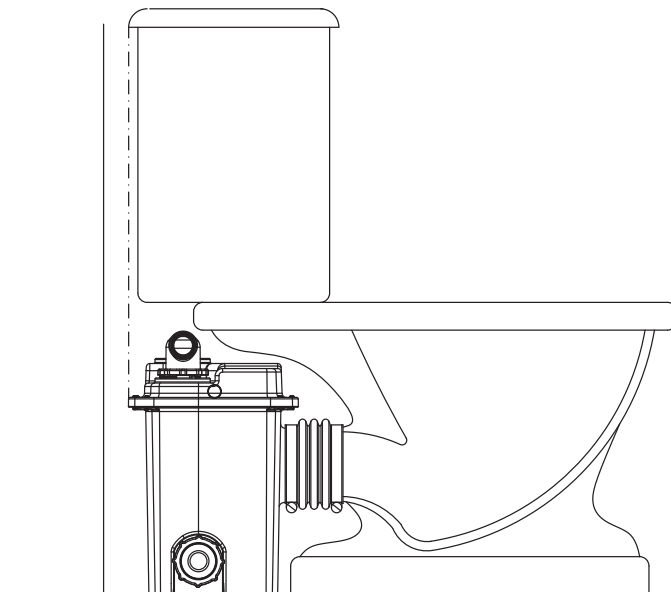


EA0081

STEP 3

Rough-in (stand-alone installation)

- 1) Position the pump unit a minimum of 3 mm (1/8") from the wall with the inlet facing forward. Attach the bellows to the inlet using the worm drive clamp provided.
- 2) Place the toilet in front of pump unit aligning the discharge of the toilet with the inlet of the pump unit. Make sure that the bellows will bridge the gap adequately for final installation. The toilet tank should be a minimum of 13 mm (1/2") from the wall.
- 3) Lightly mark the locations of the pump unit, toilet and closet bolt locations on the floor. Lightly mark the wall with the height of the pump unit and the bottom and sides of the toilet tank to ensure against interference from pipe runs later.
- 4) Remove the toilet from the pump unit and set it aside.



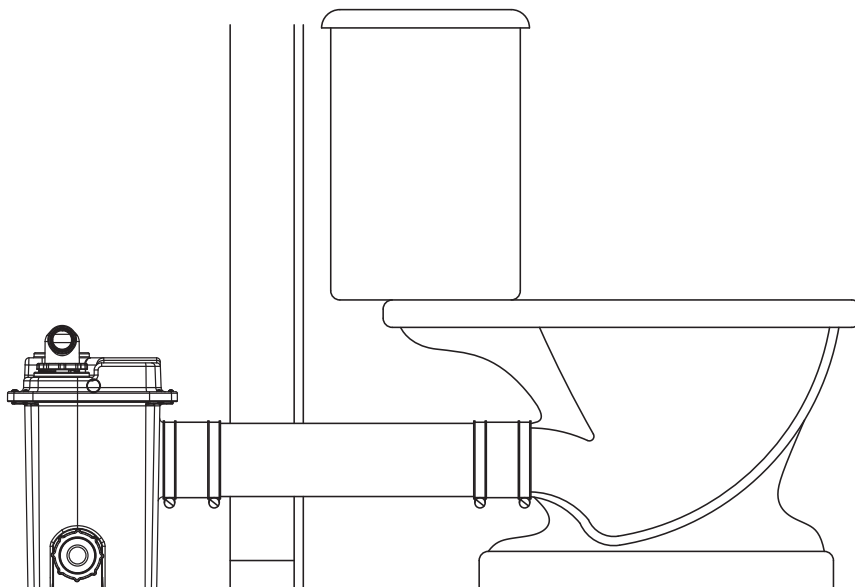
EA0063

STEP 4

Rough-in (built-in / behind the wall installation)

- 1) Installing the grinder unit behind a wall will require an extension kit (P/N 10-3050) sold separately.
- 2) Place the toilet assembly a minimum of 13 mm (1/2") from the wall and mark the closet bolt locations on the floor.
- 3) Measure the appropriate length of DN95 (3-1/2") Schedule 40 PVC pipe provided with the extension kit and cut it to length. See sketch at right.
- 4) Set toilet aside.

▲ CAUTION Toilet assembly is top heavy. Take special precautions to ensure that toilet does not tip over and break.



EA0063

STEP 5

Piping

1) Cut and dry-fit the pipe and fittings as required for DN25 (1") diameter discharge pipe [may be reduced to DN20 (3/4") diameter if codes permit].

2) While dry-fitting the discharge pipe, position and mark the location of the pump unit discharge fitting.

CAUTION Proper venting is required for the toilet to flush. Do not use a mechanical type vent.

3) Temporarily set the toilet in place to check that there is no piping interference. Remove the toilet and set it aside.

4) Clean, prime and solvent weld the discharge piping and pump unit discharge fitting.

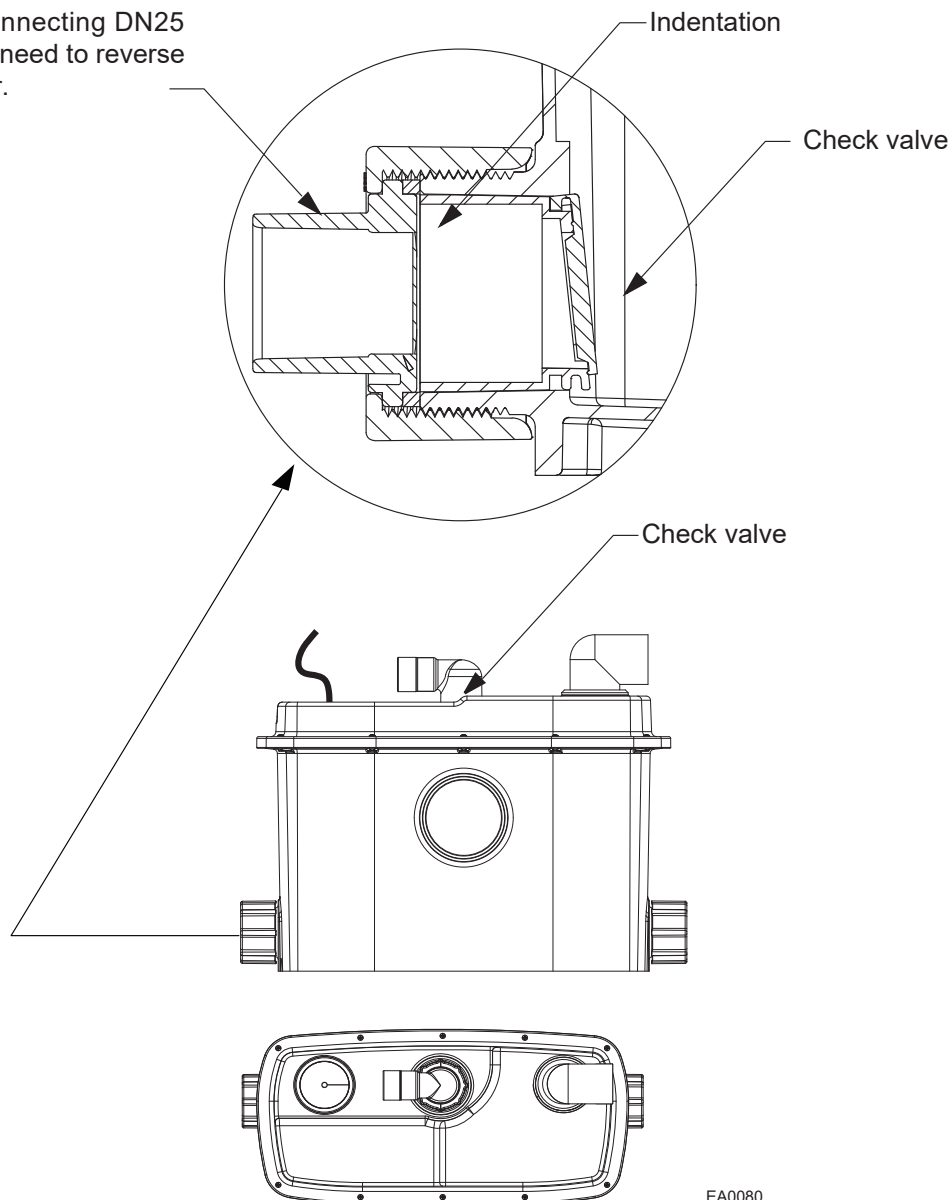
CAUTION When applying solvent weld to discharge fitting, ensure that none gets into the check valve assembly. Pay close attention to the proper alignment of the discharge fitting previously marked above.

5) To maintain effective ventilation, please replace the carbon filter periodically.

Note: Adding other bathroom fixtures - The Qwik Jon® Ultima is designed to accept additional bathroom fixtures utilizing the two side inlets. Available for connecting DN25 or 1" pipe. Simply reverse the pipe adaptor and cut out the molded-in plug at the provided indentation.

CAUTION Cut cleanly and remove burrs and rough edges to avoid clogging. Hand-tighten only for plastic nut. No wrench allowed. If leakage occurs, please replace the o-ring.

Available for connecting DN25 or 1" pipe. Only need to reverse the pipe adaptor.

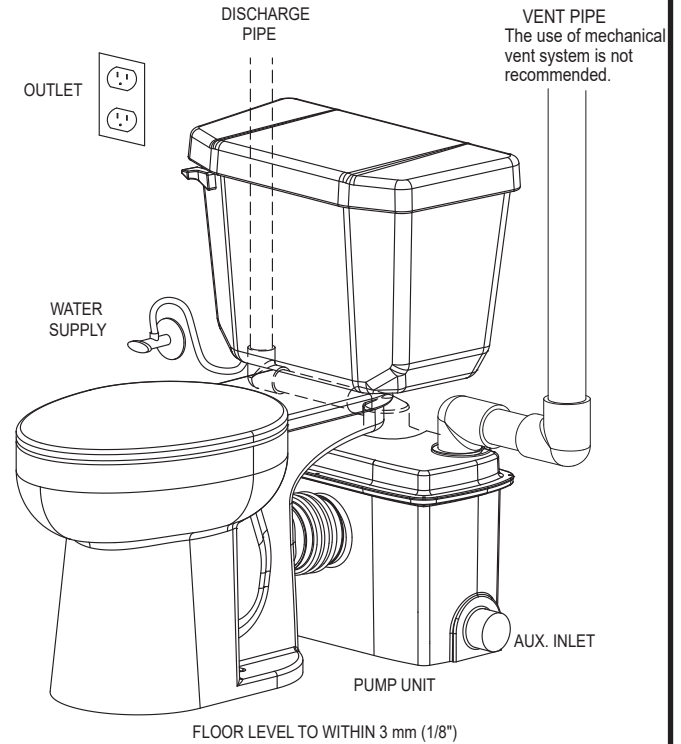


EA0080

STEP 6

Toilet Installation (Toilet Supplied by Others)

- 1) Install the closet bolts at the points marked earlier.
- 2) Place the toilet assembly over the closet bolts. Install the anchoring hardware and tighten in an alternating pattern. Check for level and shim as required. Be careful when tightening bolts or nuts against china to avoid cracking the china.
- 3) Install rubber bellows onto the toilet discharge and grinder tank hub and secure with the worm clamps provided for installation. See sketch in Step 3. For built-in installation, install the rubber couplings to both the grinder tank and the toilet discharge and secure to extension pipe with worm clamps provided. See sketch in Step 4.
- 4) Install the water supply line from the existing water shut-off valve to the toilet water supply connection.
- 5) Open the water supply valve and check for leaks. The toilet tank should fill to the proper level. Adjust if required.
- 6) Plug the pump's power cord into the outlet.
- 7) Flush the toilet and watch for proper operation. Listen for the pump to start. The pump unit requires proper venting in order for toilet to flush. Check for leaks.
- 8) Repeat flush cycles to assure proper operation.



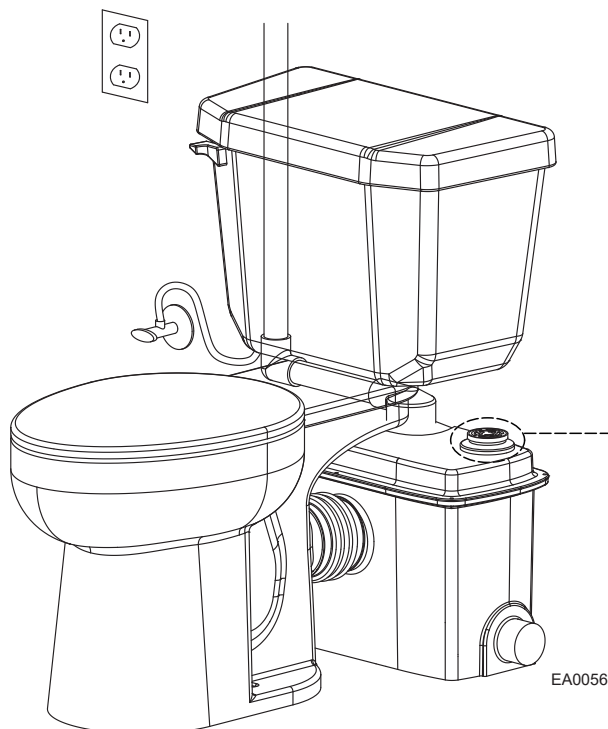
EA0083

STEP 7

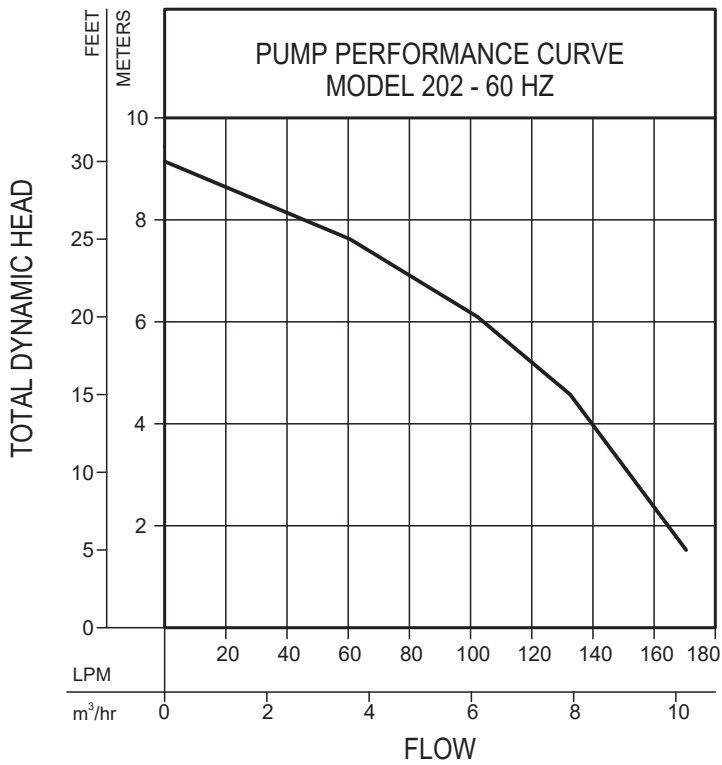
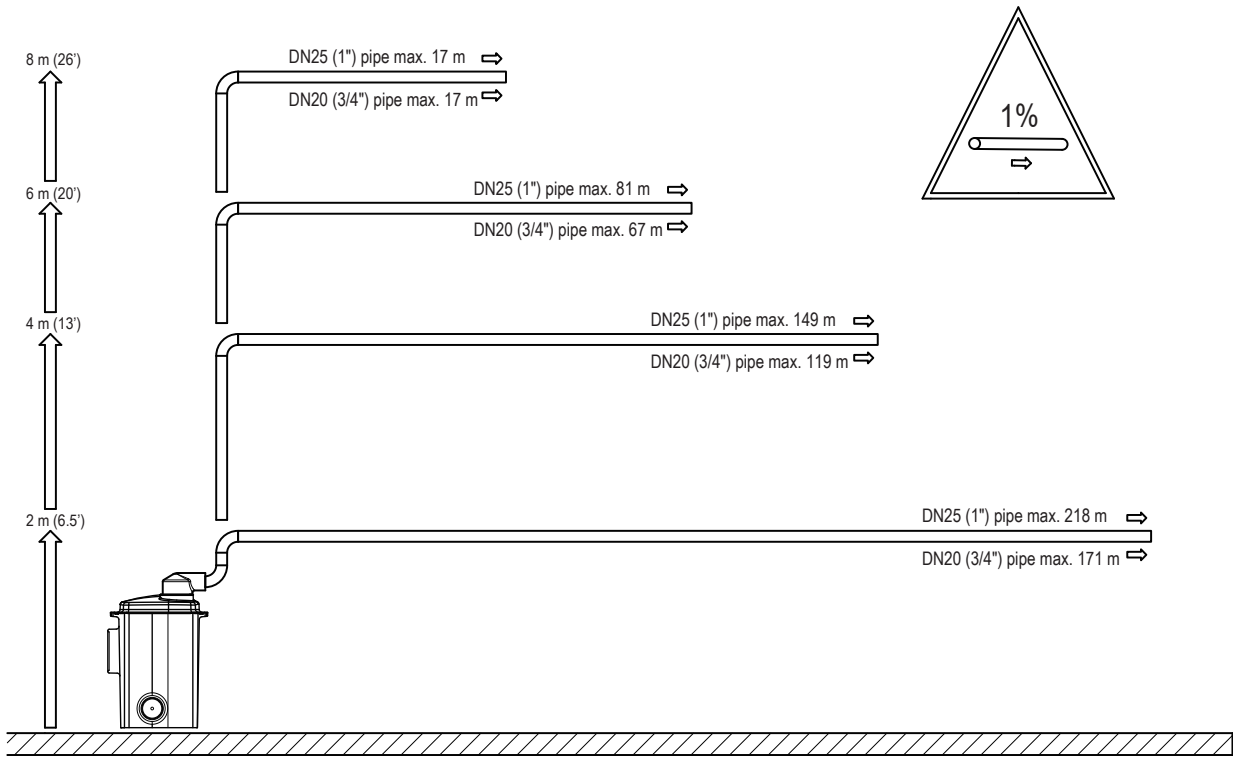
Use an optional carbon filter vent

Carbon filter vent

To maintain effective ventilation, please replace the carbon filter periodically.



Pump Performance



TOTAL DYNAMIC HEAD/FLOW SEWAGE

MODEL		202	
Feet	Meters	m³/hr	LPM
5	1.5	10.2	170
10	3.0	9.1	151
15	4.6	7.9	132
20	6.1	6.1	102
25	7.6	3.7	61
Shut-off Head:		9.1 m (30 ft)	

018512

These are the original installation instructions.

安裝前務必詳讀說明書

Trusted. Tested. Tough.®

文件僅供參考
若有任何修改
恕不另行通知



60 Hz

Visit our web site:
zoellerpumps.com

美國專利號碼:
7,203,976

安裝說明書 QWIK JON® ULTIMA 202

型號: _____
製造日期: _____
安裝日: _____

安裝前檢查

1. 安裝前請仔細檢查所有零件。產品如果在運送中受損，請儘速聯絡經銷商。
2. 安裝前仔細閱讀所有提供的文件，熟悉安裝細節，並保存資料以供未來參考。



▲ WARNING 警告

1. 為防範使用者觸電，本公司所有產品皆配有包含接地功能的電線及三插插頭。為確保安全，請勿將插頭的接地插銷拔除，並確認將插頭插入符合國內電工法規的漏電保護插座。
2. 為確保安全請勿使用延長線。加裝延長線容易使水泵馬達接收不到足夠的電壓。更重要的是，若延長線的絕緣遭破壞、或插頭鬆脫掉入水中，將可能造成危險。
3. 請確認在供給泵浦電源的電路中加裝適當規格的保險絲或斷路器。在此建議依照泵浦銘牌上的電流值，並參照國內電工法則來選擇及安裝獨立的斷路器。
4. 請在安裝前測試插座的漏電保護功能。為了安全考量，請使用符合國內電工法規的電路測試儀器來檢查插座中的火線、中性線及地線是否配置正確。若發現異常，請聯絡合格的水電技師來為您解決問題。
5. 為增加安全性使用漏電保護裝置，建議漏電流不超過30 mA。
6. 僅得由持有證照的合格水電技師來進行水泵安裝、管路搭配及電路配線。
7. 為避免觸電，請勿移除電纜線。
8. 為了保護您的安全，接觸泵浦前請先拔除電源。
9. 為防範觸電，本產品勿用於游泳池。
10. 如果電纜線受損，請聯絡經銷商或本公司核可的服務單位維修。
11. 若無監督本產品不適合給兒童、心智不健全或經驗不足者使用，前述條件者使用本產品時，監督者應負全部安全責任。
12. 泵浦不可使用於飲用水，冷卻油有可能會污染水質。

安全守則

為避免嚴重或致命的人身傷害及重大財產損失，請閱讀並遵守水泵的所有安全操作說明。
本說明書在協助安裝和操作本機型時，必須符合水泵的安全操作守則。



這是一個安全警告符號。當你在水泵或說明書中看到此符號，請查詢以下符號，並警惕人身傷害或發生財產損失的可能性。



警告，表示可能會導致嚴重的人身傷害、死亡或重大財產損失的危險。



注意，表示可能會造成人身傷害或財產損失的危險。



電擊危險警告，表示可能會導致嚴重的人身傷害、死亡或重大財產損失的危險。



接地標誌，表示藉由連接外部導體之接地線，在故障時可防止觸電發生。



閱讀操作手冊。

使用水泵前，請徹底閱讀本說明書內的說明和警告。並維護所有安全標籤。

保固請參閱第2頁。

⚠ CAUTION

注 意

1. 本裝置配有可以磨碎並運輸糞便、衛生紙及不小心掉入馬桶的衛生用品。然而，並不代表本公司建議將衛生用品沖入本裝置，而造成污水管道阻塞的可能性。
2. 檢查確認電源符合泵浦或裝置上銘牌所標示的電力資料。
3. 需依當地法令規章安裝所有的裝置(出口水管及通氣管)。裝置必須有通氣設備。請勿使用自動管路通氣設備，否則馬桶將不能沖水。
4. 最高環境溫度不得超過攝氏40度(華氏104度)。
5. 請勿使用含漂白劑的清潔劑，清洗馬桶水箱、馬桶或附屬裝置品，否則會侵蝕沉水泵密封件。

⚠ NOTES

備 註

1. 僅得由獲授權的服務站進行維修服務。
2. 備註：建議安裝6.1公尺以下的總揚程。1英吋的水管安裝以不超過4.6公尺的垂直高度為原則。迷你磨碎型水泵的設計僅適用於Qwik Jon® Ultima裝置，不適用於任何其他設施。
3. 型號QJU 202每次沖水用水6升。
4. 所有連接到此系統的裝置必須在同一樓層。

保固說明

本產品的保固為自購買日起算的一年、或從工廠製造日期起算的1.5年，以先到期者為準。若能證明產品的缺陷是由材料或製造過程造成，本公司將負責維修或更換。本公司保留決定是否維修或更換產品、零件或配件的權利。維修或更換期間買方所產生的費用或損失不在保固範圍內。本公司無法控制的損壞不在保固範圍內。

保固不適用於：

- (1)未依照說明書安裝、操作或維護所造成的故障或損壞。
- (2)不當操作、意外或疏忽所造成故障或損壞。
- (3)加裝不屬於本產品的零、配件。
- (4)未依照當地法規進行安裝所造成的危害。

(5)將產品用在非原本設計的用途上所造成的損壞。(例：抽取沙、碎石、水泥、泥巴、瀝青、碳氫化合物及其衍生物、汽油、化學溶劑或其他有腐蝕性的液體、毛巾、女性衛生用品等。)

保固零、配件的退回：在本保固之下任何修理或更換需送回本公司或其他本公司所指定的維修服務點，運費需自付。在任何情況下本公司不負擔其他責任，包含資產或設備的損壞、利潤損失、等.....。

本公司的責任不超過產品的實售價格。

上述為本產品唯一的保固說明，任何人的修改或另做承諾皆為無效。

在因涉嫌產品故障而招致損害的情況下，財產擁有人必須保留該產品以供調查之用。

輕鬆安裝的要訣

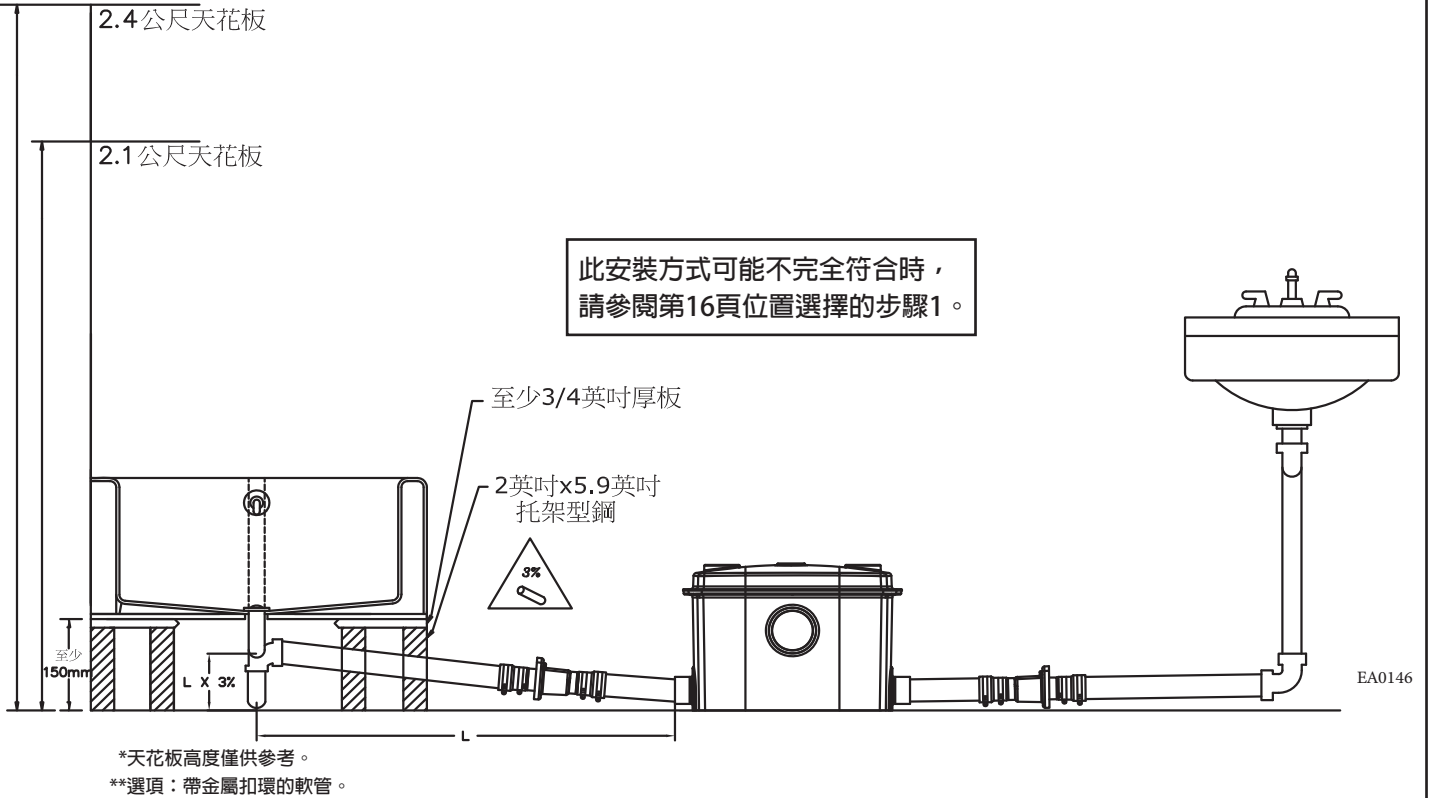
1. 安裝前閱讀所有指示。
2. 確保安裝地面平坦度差異在3公厘之內。
3. 安裝排水管密封件時，法蘭密封面向外面。
4. 必要時請使用肥皂水潤滑配件，以協助安裝。
5. 請不要過度鎖緊馬桶安裝的固定螺絲。
6. 請避免使用自動管道通氣設備。
7. 請記錄本機型號及製造日期，與經銷商聯絡時提供本資訊。

安裝注意事項

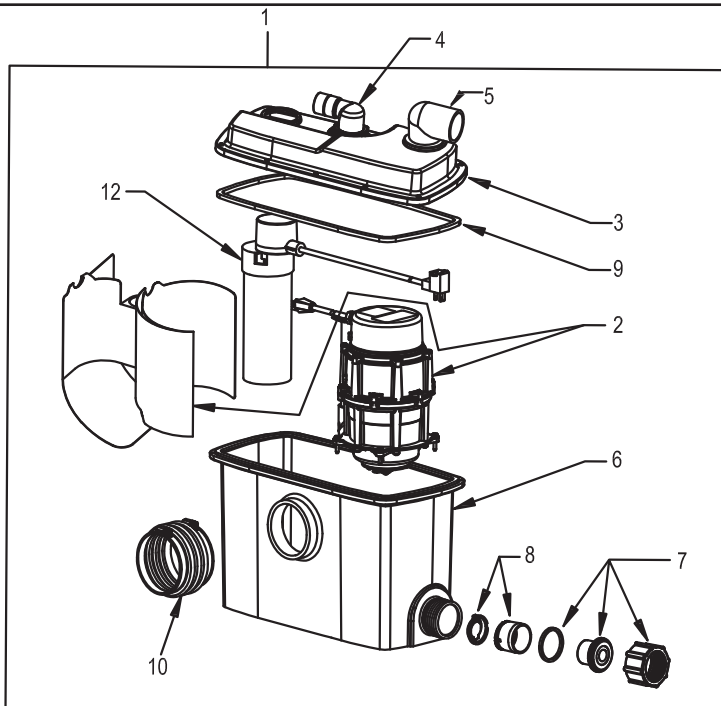
1. 請務必閱讀本裝置之所有安裝資料。
2. 請務必檢查裝置是否在運送中產生可見的損壞。若裝置顯示受損，請洽經銷商。
3. 請務必清理裝置所有可見的雜物。
4. 處理前切斷泵浦電源。連結到獨立受保護的接地漏電電流斷路器。請勿切斷、拼接或損壞電源線。請勿用電源線拉動或舉起泵浦。請勿使用延長線。
5. 請務必在止回閥的排水管下游安裝球閥或閘閥。
6. 請務必在安裝後立即測試泵浦，以確認系統正常運作。
7. 請務必詳閱所有適用當地及國家規則，確認安裝符合各項規定。
8. 不建議將本產品連結到正常浴室設施以外的設施，如洗衣機及洗碗機。
9. 務必每三個月檢查並測試系統的正常運作。

建議安裝標準的管路設計

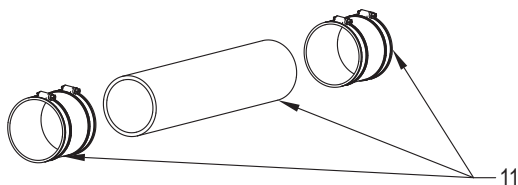
備註：安裝須符合一切適用的電氣和配管規範，包括但不限於國家電氣規則、地區配管工程法規等。



維修零件



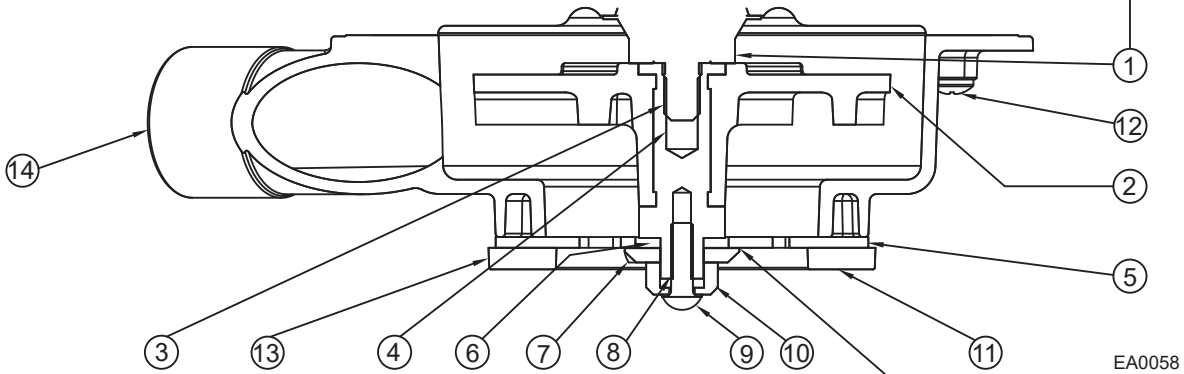
項目	描述
1	QwikJon® Ultima 202 型提升器
2	磨碎型泵浦 (附出水管與導流板)
3	提升器上蓋
4	出水口組件
5	通氣閥或通氣管
6	提升器
7	螺母與直管接頭
8	止回閥
9	密封件
10	波紋管橡膠接頭與鐵箍
11	牆後安裝用延伸套件 (選配)
12	外接式浮球開關



EA0068

維修零件

備註 1： 機械軸封在做氣密測試前，需先乾轉10秒。
 機械軸封的摩擦面(定部與轉部間)不可加任何的潤滑油。



EA0058

備註 2： 在切盤與切刀之間須加華司墊片，數量依每台狀況而定。
 目標以達到間隙為0.02~0.15 mm，切刀切盤不可接觸。

項目	描 述	零件號碼	數量
1	機械軸封	009567	1
2	葉輪	083853	1
3	水葉跟軸心間須塗樂泰膠 (Loctite)	LOCTITE #222 - PINK	-----
4	軸心	-----	-----
5	切盤	083224	1
6	華司 (切盤與切刀中間)	083104	數量依 每台狀況 而定 (見備註2)
		083105	
		083106	
		083107	
		083108	
7	切刀	151602	1
8	切刀固定螺絲須塗樂泰膠 (Loctite)	LOCTITE #222 - PINK	-----
9	切刀固定螺絲 (固定切刀在軸心上)	001884	1
10	螺帽 (固定切刀)	150635	1
11	螺絲	017341	8
12	螺絲	018568	6
13	切刀護盤	150415	1
14	水機	083991	1

異常狀況	可能原因	補救措施
A. 泵浦未開始運作。	低電壓、保險絲燒斷、電路中斷。	由合格電氣技師檢查保險絲和電路。
	葉輪卡住。	聯絡經銷商。
	馬達或電線短路。	
	浮球開關上有雜物。	去除雜物
B. 泵浦太快啟動。	浮球“啟動”點調得太低。	調整浮球設定。
C. 泵浦太慢啟動。	浮球“啟動”點調得太高。	調整浮球設定。
D. 泵浦不停止或在抽水前運轉太久。	泵浦未連結到外接浮球開關插座。	確認泵浦電線連結到外接式浮球開關。
	浮球下方有雜物。	去除浮球周圍的雜物。
	浮球開關故障。	聯絡經銷商。
	浮球“停止”點調得太低。	提高下端浮球制子。
	泵浦氣鎖。	確保排放管中的通氣孔暢通。
	水位太低。	提高下端浮球制子。
	污物累積，造成通道不良。	按下馬桶沖水柄15秒。若裝置未暢通，拔除插頭等待30分。將裝置的插頭插回，重複此動作。若裝置仍未關閉，必須打開裝置移除雜物。
E. 泵浦運轉正常，但抽不到水或水流量太少。	進水口周圍有雜物。	清理進水口附近區域。
	排放管堵塞。	必要時卸除排放管，沖走雜物。
	電壓太低或不當電壓。	由合格電氣技師檢查家庭管線。
	葉輪受損。	聯絡經銷商。
	浮球調整不當。	聯絡經銷商。
	泵浦氣鎖。	確保排放管中的通氣孔暢通。
	安裝揚程超過系統設計的揚程。	更換排放管或聯絡經銷商。



▲ 警告

在維修沉泵浦之前，須關閉總電源斷路器，拔除泵浦插頭——確保人未站在水中，且穿上絕緣保護底的鞋子。水溢流時，聯絡當地的電力公司，或有執照的合格電氣技師，在移除管之前進行斷電。



▲ 警告

本泵浦含冷卻油，在運作狀態下會受壓變熱——斷電後等待2.5小時再進行維修。

——如果以上檢查點都無法排除問題，請與經銷商聯絡，不要嘗試維修或拆除泵浦及其他零件。

▲ 注意

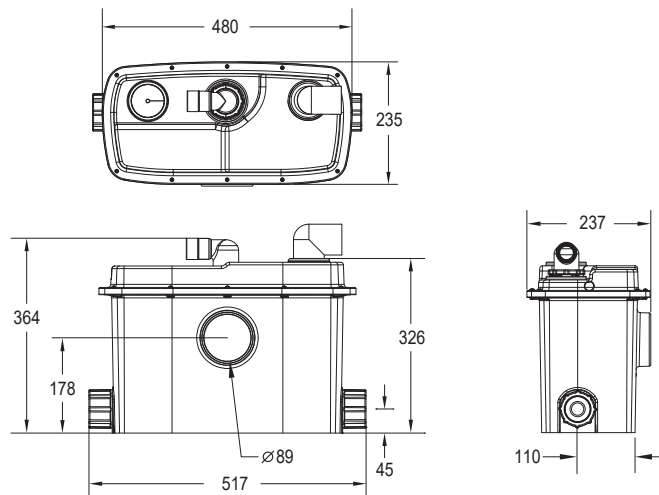
不要將女性生理用品、可拋棄式尿片、抹布等丟入 Qwik Jon® Ultima 中。這可能堵塞水泵或其他管道，導致故障。

完成後的保養：僅建議使用肥皂和水清洗水箱外側。

其他清潔產品可能造成褪色和刮傷。

Qwik Jon® Ultima 參考手冊

尺寸



單位：mm

EA0080

步驟 1

位置選擇

請仔細規劃後再施工。

地板：地板結構須穩固，地板凹凸面高低差在 3 公厘之內。若地板不平，使用水泥或類似材料校平。

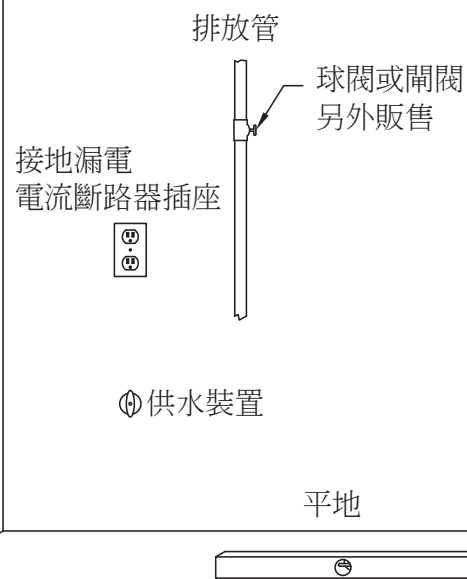
水：馬桶運作需有供水源。通常 1/2 英吋管配備截流閥就足夠。

電氣：需要 115 伏特含接地漏電斷路器的插座以供應電源到水泵。

下水道：需要連結到糞管排放。Qwik Jon® Ultima 要求有 1 英吋(若當地規則許可，也可為 3/4 英吋)的管路，以連結到既有的糞管。排放管路上應安裝球閥或閘閥。

通氣管：不建議採用機械式通氣系統。

備註：若欲採用隱藏安裝，請將提升器設在維修人員有足夠空間維修拆裝的地方。



SK2588

步驟 2

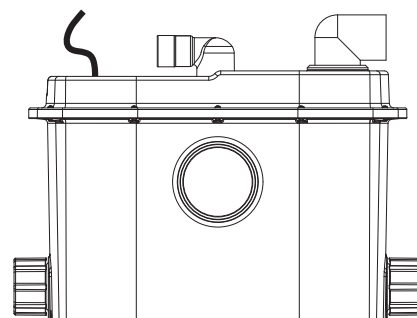
泵浦裝置

▲ 注意

勿使用木質墊片校平提升器。

▲ 注意

確保釘子、螺絲或其他尖銳物不會刺穿提升器。
使用水硬水泥或類似材料將泵浦校平至差距在 3 公厘之內。

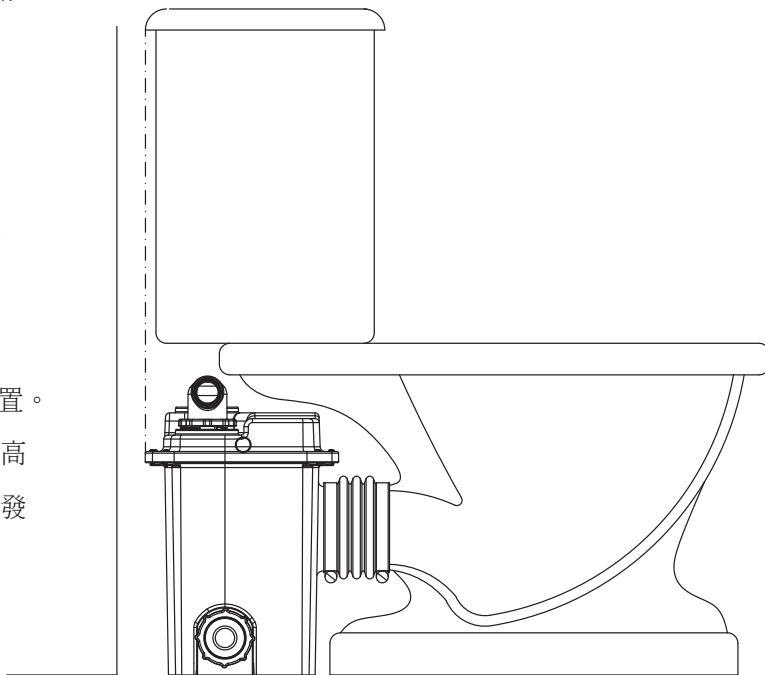


EA0081

步驟3

簡圖(獨立式安裝)

- 1) 將泵浦安置在離牆至少3 公厘處，進水口朝前。使用提供的蝸輪式夾件，將伸縮管安裝到進水口。
- 2) 將馬桶安置在泵浦前面，馬桶排放管和泵浦裝置進水口的位置需對正。確保伸縮管足以跨接間隙，以進行最後安裝。馬桶水箱應離牆至少13 公厘。
- 3) 在地板上輕輕標記泵浦裝置、馬桶和馬桶螺絲的位置。在牆上輕輕標記泵浦裝置及馬桶水箱底部和側邊的高度，以確保未來實際安裝馬桶水箱和管路時，不會發生干涉。
- 4) 將馬桶卸離泵浦，另外安放。



EA0063

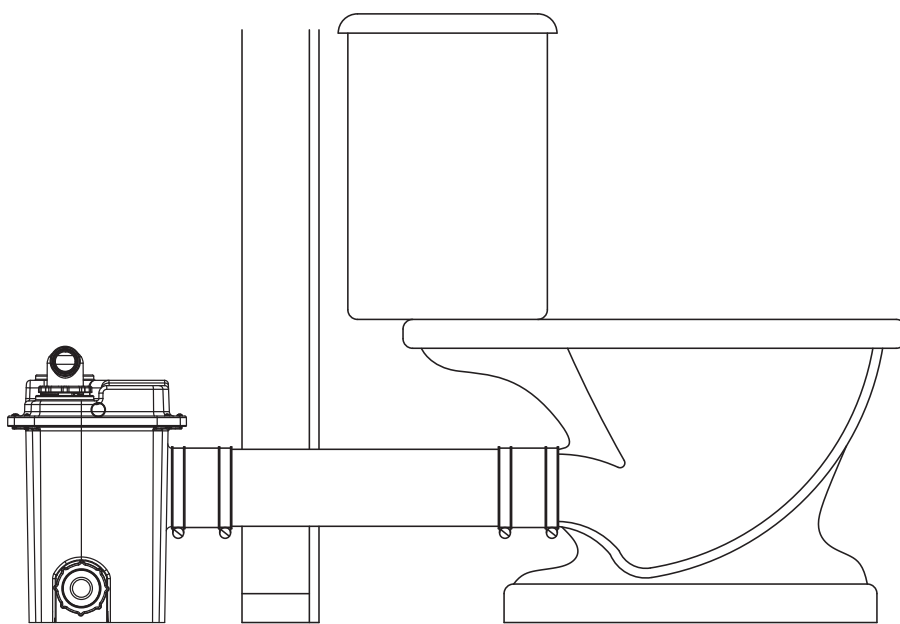
步驟4

簡圖(隱藏式安裝)

- 1) 安裝牆後泵浦組須有另外販賣的延伸套件(P/N10-3050)。
- 2) 將馬桶組件安置在離牆至少13 公厘處，並在地板上標記馬桶螺絲的位置。
- 3) 測量延伸套件中的 PVC規格 Schedule 40 管徑 DN95 (3-1/2 英吋) 的水管所需長度再加以裁切安裝。參見右圖。
- 4) 將馬桶另外安放。

▲ 注意

馬桶組件頭重腳輕，要特別注意，確保馬桶不會傾倒破碎。



EA0063

步驟 5

配管安裝

- 1) 依DN25 (1 英吋) 排放管 (若法規允許，可降低至使用 DN20 (3/4 英吋) 直徑排放管) 的需求，裁切並試接配件。
- 2) 在試接排放管時，安放並標記泵浦裝置排放配件的位置。

▲ 注意

馬桶沖水需要適當的通氣。不要使用機械式通氣系統。

- 3) 暫時將馬桶安放在位置上，檢查是否有管道干涉情況。卸下馬桶放在一旁。
- 4) 清洗、裝填、溶劑熔接排放管道和泵浦裝置排放配件。

▲ 注意

進行溶劑熔接到排放配件時，應確保溶劑不會流入止回閥裝備。注意適當校直先前標記的排放配件。

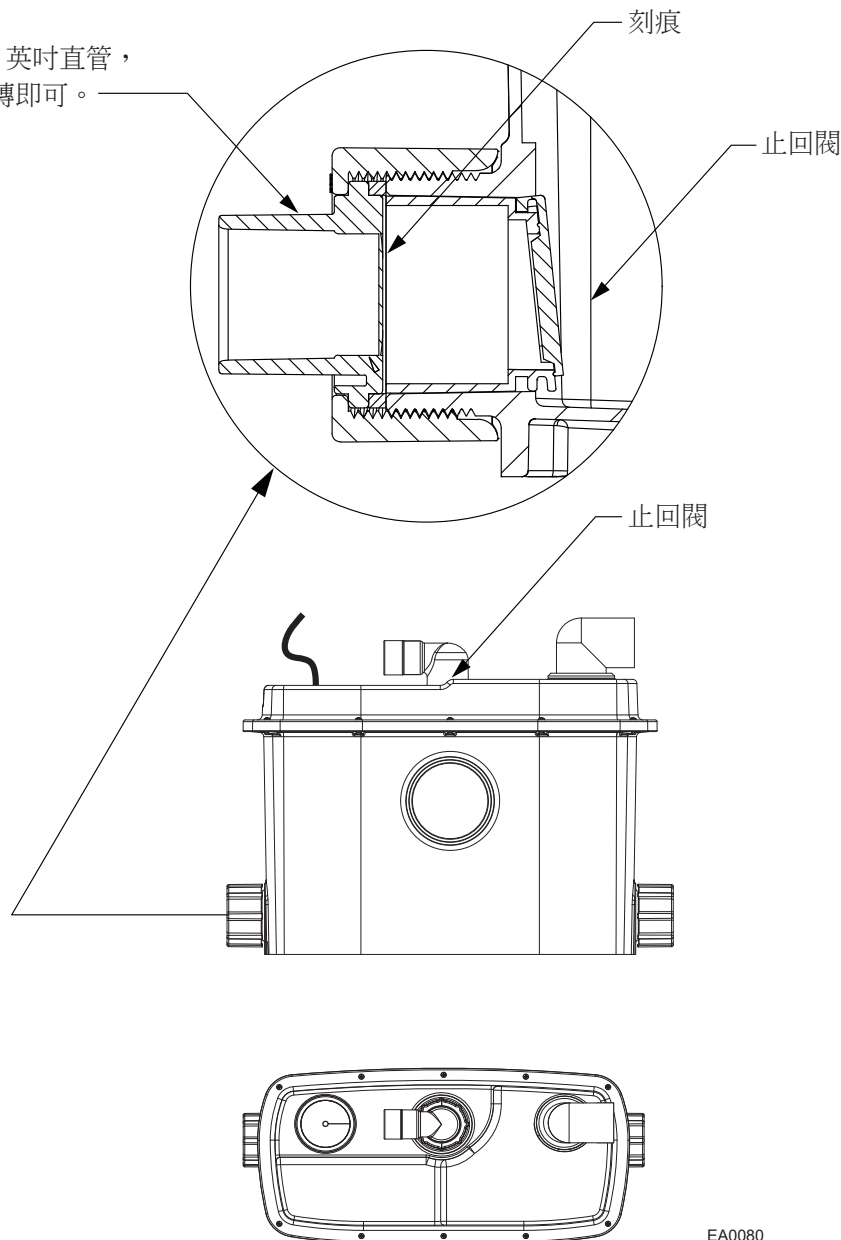
- 6) 清洗並溶劑熔接通氣管，以達到適當的通氣。

備註：增加其他浴室配備——Qwik Jon® Ultima 的設計可以利用兩側邊的進水口，接受額外的浴室配備。可直接接 DN25 或 1 英吋直管，簡單的扭轉轉接頭並且切出模內插件所提供的刻痕。

▲ 注意

完整的切除並且移除毛邊及粗糙的邊緣來防止阻塞。塑膠螺母不可使用工具鎖緊，若發生漏水請更換 O 型環。

可直接接 DN25 或 1 英吋直管，
只需將直管接頭反轉即可。

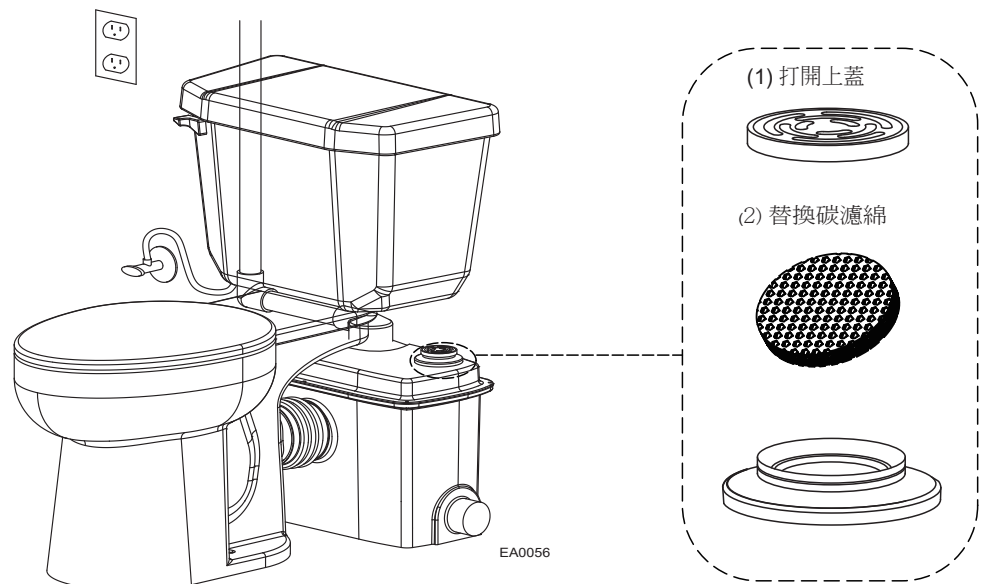


EA0080

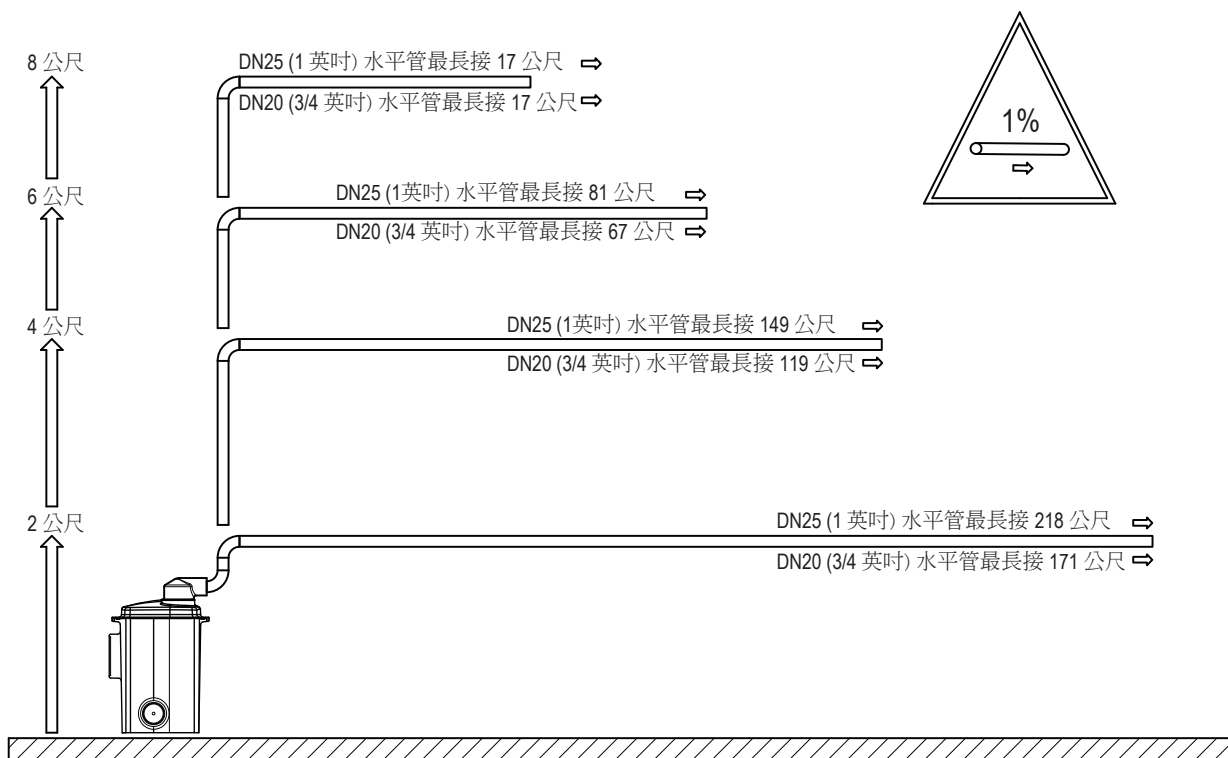
步驟6

馬桶安裝

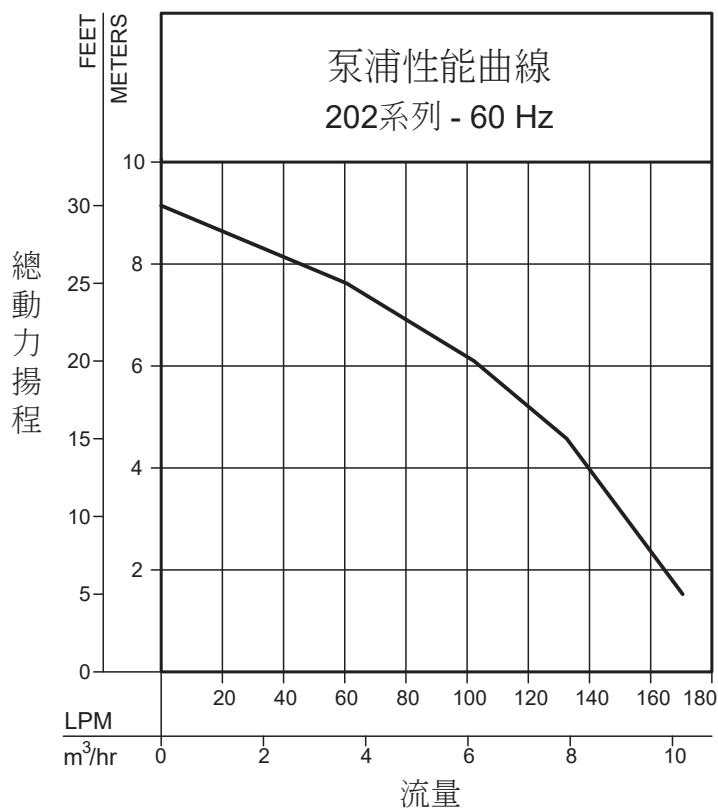
- 1) 將馬桶螺絲安裝到先前標記的點。
- 2) 將馬桶組件安置在馬桶螺絲上方，之後並以交替對鎖的方式鎖緊螺絲。依照要求檢查水平狀態和填隙片。鎖緊瓷料的螺栓和螺帽時須小心，避免瓷料破裂。
- 3) 進行獨立式安裝時，將橡膠進水口安裝到馬桶排放管和泵浦水箱套殼上，以提供的蝸輪式夾件固定。參見步驟4的簡圖。進行內建式安裝時，將橡膠管箍安裝到泵浦箱和馬桶排放管，以提供的蝸輪式夾件固定到延伸管。參見步驟5簡圖。
- 4) 將供水管從既有的斷流閥安裝到供水聯結。
- 5) 打開供水閥，檢查是否有漏水。馬桶水箱應注到適當水位。必要時進行調整。
- 6) 將泵浦電源線插到外接浮球開關插座，然後將外接浮球開關插到接地電路斷路器插座。
- 7) 沖馬桶，觀察是否正常運作。聆聽泵浦開始啟動。泵浦需要適當的通氣，馬桶才能沖水。檢查是否漏水。
- 8) 重複沖洗循環，確保運作正常。
- 9) 安裝馬桶座 (由其他廠商供應)。
- 10) 安裝馬桶水箱蓋。



泵浦性能



SK2909



型號		202	
英呎	公尺	m ³ /hr	LPM
5	1.5	10.2	170
10	3.0	9.1	151
15	4.6	7.9	132
20	6.1	6.1	102
25	7.6	3.7	61
全閉揚程		9.1 公尺 (30 英呎)	

018512