

NOTICE TO INSTALLER: Instructions must remain with installation.

ZT0178_ECb

0818

Supersedes

0718

Trusted. Tested. Tough™

Product information presented here reflects conditions at time of publication. Consult factory regarding discrepancies or inconsistencies.



50 Hz

Visit our web site:
www.zoellerpumps.com

Patent No. 7,203,976
Other Patents Pending

QWIK JON® ULTIMA QJU-3 SYSTEM INSTALLATION INSTRUCTIONS PREINSTALLATION CHECKLIST

MODEL NO.	_____
DATE CODE:	_____
DATE INSTALLED:	_____

1. Inspect all materials. Occasionally, products are damaged during shipment. If the unit is damaged, contact your dealer before using. **Do Not** remove the test plugs from the pump.
2. Carefully read all the literature provided to familiarize yourself with specific details regarding installation and use before attempting the installation. These materials should be retained for future reference.



WARNING

SEE BELOW FOR LIST OF WARNINGS

SAFETY INSTRUCTIONS

1. **Make sure there is a properly grounded receptacle available.** All pumps are furnished with provisions for proper grounding to protect you against the possibility of electrical shock.
2. Make certain that the receptacle is within the reach of the pump's power supply cord. **DO NOT USE AN EXTENSION CORD.** Extension cords that are too long or too light do not deliver sufficient voltage to the pump motor, and they could present a safety hazard if the insulation were to become damaged or the connection end were to fall into a wet or damp area.
3. **Make sure the pump electrical supply circuit is equipped with fuses or circuit breakers of proper capacity.** A separate branch circuit is recommended, sized according to governing electrical code for the current shown on the pump nameplate.
4. **Testing for ground.** As a safety measure, each electrical outlet should be checked for ground using a circuit analyzer which will indicate if the power, neutral and ground wires are correctly connected to your outlet. If they are not, call a qualified licensed electrician.
5. **For Added Safety.** Use of a residual current device with an operating current not higher than 30 mA is recommended.
6. **FOR YOUR PROTECTION, ALWAYS DISCONNECT PUMP FROM ITS POWER SOURCE BEFORE HANDLING. DO NOT, UNDER ANY CIRCUMSTANCES, REMOVE THE GROUND PIN.** The 3-prong plug must be inserted into a mating 3-prong grounded receptacle. If the installation does not have such a receptacle, it must be changed to the proper type, wired and grounded in accordance with the governing electrical code and all applicable local codes and ordinances.
7. **Risk of electrical shock.** Do not remove power supply cord and strain relief or connect conduit directly to the pump.
8. Installation and servicing of pump, electrical circuits, and hardware should be performed by a qualified licensed electrician.
9. **Risk of electrical shock.** These pumps have not been investigated for use in swimming pool and marine areas.
10. If the supply cable is damaged, it must be replaced by the manufacturer or its technical service or similarly qualified persons in order to avoid a hazard.
11. The appliance is not intended for use by persons (including children) with reduced physical, sensory or mental capabilities, or lack of experience and knowledge, unless they have been given supervision or instruction concerning use of the appliance by a person responsible for their safety.
12. Pump is not intended for potable water due to possible contamination by oil contained in the pump.

TO AVOID SERIOUS OR FATAL PERSONAL INJURY OR MAJOR PROPERTY DAMAGE, READ AND FOLLOW ALL SAFETY INSTRUCTIONS IN THIS MANUAL AND ON THE PUMP.

THIS MANUAL IS INTENDED TO ASSIST IN THE INSTALLATION AND OPERATION OF THIS UNIT AND MUST BE KEPT WITH THE PUMP.



This is a **SAFETY ALERT SYMBOL.** When you see this symbol on the pump or in the manual look for one of the following signal words and be alert to the potential for personal injury or property damage.



Warns of hazards that **CAN** cause serious personal injury, death or major property damage.



Warns of hazards that **CAN** cause personal injury or property damage.



Warns of electrical shock hazards that **CAN** cause serious personal injury, death or major property damage.



Identifies any terminal which is intended for connection to an external conductor for protection against electrical shock in case of a fault, or the terminal of a protective earth (ground) electrode.



Read operator's manual.

THOROUGHLY REVIEW ALL INSTRUCTIONS AND WARNINGS PRIOR TO PERFORMING ANY WORK ON THIS PUMP. MAINTAIN ALL SAFETY DECALS.

REFER TO WARRANTY ON PAGE 2.

P/N 082802

⚠ CAUTION

SEE BELOW FOR LIST OF CAUTIONS

⚠ NOTES

SEE BELOW FOR LIST OF NOTES

1. The QWIK JON® ULTIMA is fitted with a specially designed grinder pump and is capable of pumping faecal matter, toilet paper and also sanitary articles which might accidentally be dropped into the toilet. It is not the manufacturer's suggestion to flush such foreign objects into the sewer main as they might clog the sanitary sewer.
2. Check to be sure your power source is adequate to handle the amperage requirements of the motor as indicated on the pump or unit I.D. tag.
3. All plumbing (discharge and carbon filter vent) must be installed to meet local codes. **Unit must be vented. Do not use an automatic plumbing vent device. Toilet will not flush.**
4. Maximum operating temperature for model 202 must not exceed 40 °C (104 °F).
5. Do not use cleaning products containing bleach in the toilet tank, toilet or attached fixtures as they will degrade the pump seals.
6. **This product is designed for use with one toilet only.**

1. Repair and service should be performed by an Authorized Service Station only (Consult Factory).
2. NOTE: Recommended for installations up to 6.1 m (20') total dynamic head. Consult Factory if installation is above 4.6 m (15') vertical height in 25 mm (1") pipe. Mini-Grinder Pump is designed for use in Qwik Jon® Ultima units only. It is not designed for use in any other application.
3. Model 202 is designed to accommodate 6 litres (1.6 gallons) per flush.
4. All fixtures connecting to the system must be on the same floor level.

LIMITED WARRANTY

Manufacturer warrants, to the purchaser and subsequent owner during the warranty period, every new product to be free from defects in material and workmanship under normal use and service, when properly used and maintained, for a period of one year from date of purchase by the end user, or 18 months from date of original manufacture of the product, whichever comes first. Parts that fail within the warranty period, one year from date of purchase by the end user, or 18 months from the date of original manufacture of the product, whichever comes first, that inspections determine to be defective in material or workmanship, will be repaired, replaced or remanufactured at Manufacturer's option, provided however, that by so doing we will not be obligated to replace an entire assembly, the entire mechanism or the complete unit. No allowance will be made for shipping charges, damages, labor or other charges that may occur due to product failure, repair or replacement.

This warranty does not apply to and there shall be no warranty for any material or product that has been disassembled without prior approval of Manufacturer, subjected to misuse, misapplication, neglect, alteration, accident or uncontrolled weather event; that has not been installed, operated or maintained in accordance with Manufacturer's installation instructions; that has been exposed to outside substances including but not limited to the following: sand, gravel, cement, mud,

In those instances where damages are incurred as a result of an alleged pump failure, the Homeowner must retain possession of the pump for investigation purposes.

tar, hydrocarbons, hydrocarbon derivatives (oil, gasoline, solvents, etc.), or other abrasive or corrosive substances, wash towels or any other abusive entity, etc. in all pumping applications. The warranty set out in the paragraph above is in lieu of all other warranties expressed or implied; and we do not authorize any representative or other person to assume for us any other liability in connection with our products.

Contact authorized distributors to obtain any needed repair or replacement of part(s) or additional information pertaining to our warranty.

MANUFACTURER EXPRESSLY DISCLAIMS LIABILITY FOR SPECIAL, CONSEQUENTIAL OR INCIDENTAL DAMAGES OR BREACH OF EXPRESSED OR IMPLIED WARRANTY; AND ANY IMPLIED WARRANTY OF FITNESS FOR A PARTICULAR PURPOSE AND OF MERCHANTABILITY SHALL BE LIMITED TO THE DURATION OF THE EXPRESSED WARRANTY.

Some jurisdictions do not allow limitations on the duration of an implied warranty, so the above limitation may not apply to you. Some jurisdictions do not allow the exclusion or limitation of incidental or consequential damages, so the above limitation or exclusion may not apply to you.

This warranty gives you specific legal rights and you may also have other rights which vary from jurisdiction to jurisdiction.

HELPFUL HINTS FOR EASY INSTALLATION

1. Read all instructions before beginning installation.
2. Be sure the floor is level within 3 mm (1/8").
3. Install vent pipe seal with flange side of seal on outside of lid.
4. Use soapy water to lubricate all seals to aid installation.
5. Install rubber coupling/union in vent line to aid disassembly.
6. Do not over torque toilet mounting screws.
7. Do not use an automatic plumbing vent device.
8. Obtain model number and date code, and record information in the space provided on the front of this manual. Refer to this information when calling the factory.

DO'S AND DON'T'S, *continued*

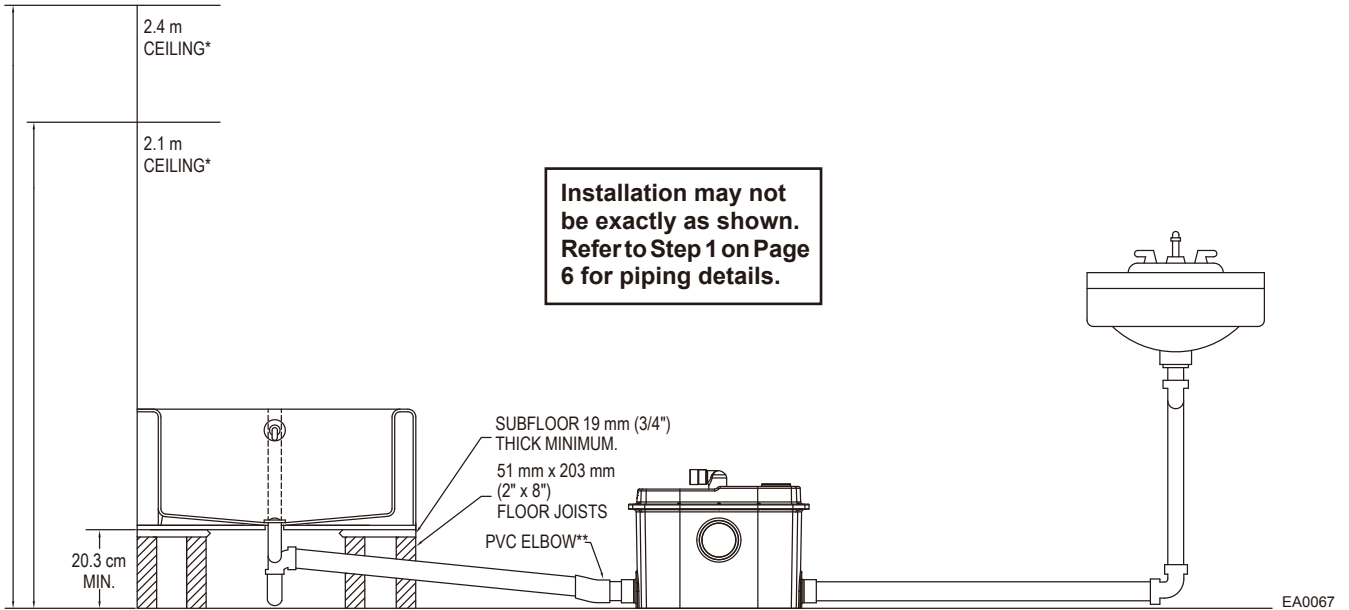
3. DO clean all visible debris from the unit.
4. DO always disconnect pump from power source before handling. DO always connect to a separately protected and properly grounded ground fault protected circuit. DO NOT ever cut, splice or damage power cord. DO NOT carry or lift pump by its power cord. DO NOT use an extension cord.
5. DO install a ball or gate valve and a union in the discharge line downstream of the check valve.
6. DO test pump immediately after installation to be sure that the system is working properly.
7. DO review all applicable local and national codes and verify that the installation conforms to each of them.
8. We DO NOT recommend this product be connected to utilities other than those found in a normal bathroom application. Washing machines and dishwashers are examples of equipment that we DO NOT recommend.
9. DO inspect and test system for proper operations at least every 3 months.

DO'S AND DON'T'S FOR INSTALLING A UNIT

1. DO read all installation material with the unit.
2. DO inspect unit for any visible damage caused by shipping. Contact dealer if unit appears to be damaged.

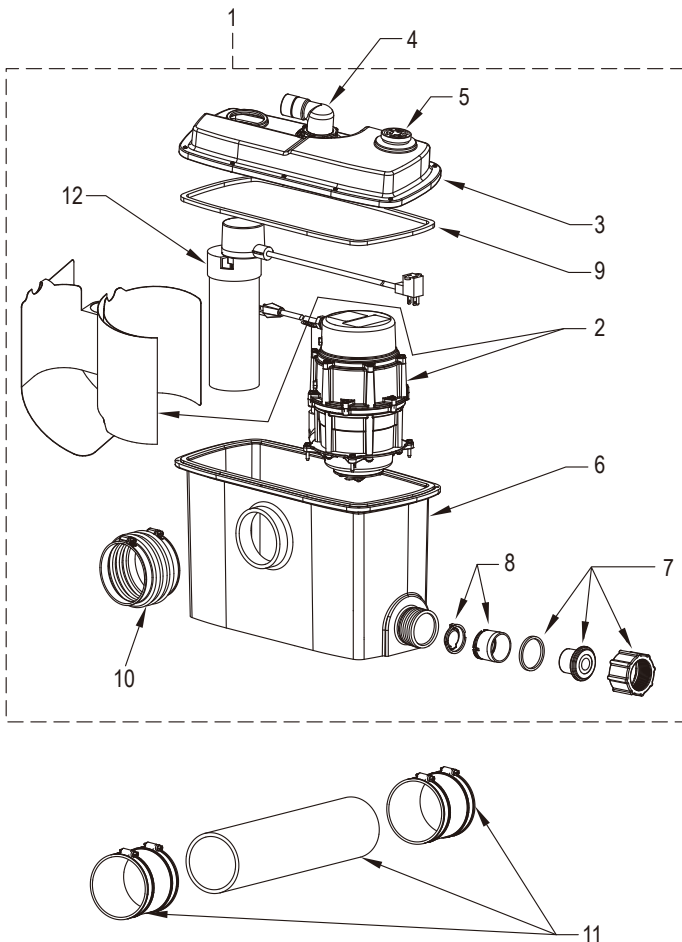
TYPICAL PIPING CONFIGURATIONS

NOTE: All installations must comply with all applicable Electrical and Plumbing Codes, including, but not limited, to National Electrical Code, Local, Regional and/or State Plumbing Codes, etc.



*Ceiling heights shown for reference only.
 **Option: hose with clamp.

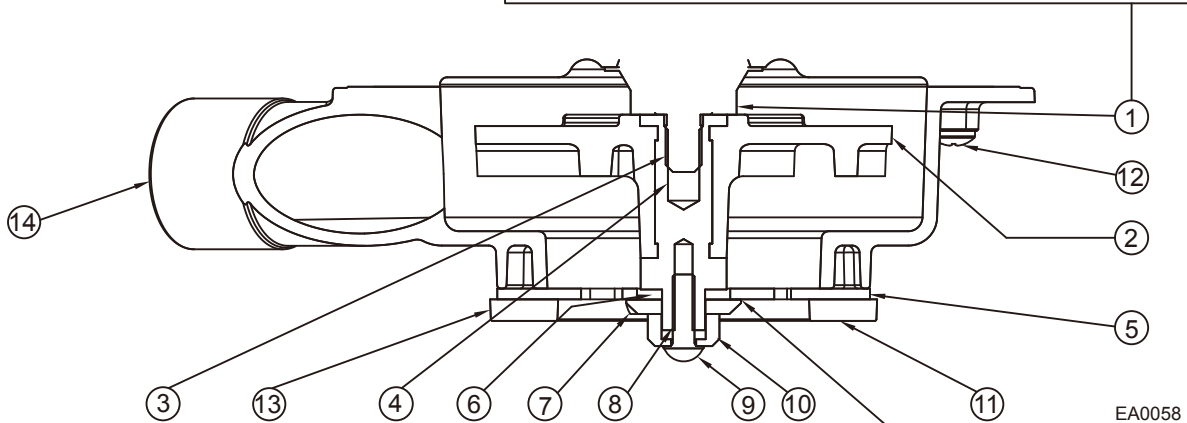
SERVICE PARTS



Item	Description
1	Qwik Jon® Ultima Sewage Removal System
2	Replacement pump with discharge pipe
3	Tank cover
4	Discharge fittings
5	Carbon filter vent
6	Tank
7	Nut with straight pipe adapter
8	Check valve
9	Seal
10	Rubber coupling with hose clamps
11	Extension kit for behind the wall install (optional)
12	Piggyback switch

Service Parts

NOTE 1 : DRY-RUN 10 SECONDS BEFORE LEAK TEST.
DO NOT APPLY OIL TO SEAL FACE



EA0058

NOTE 2 : Washers are required between the cutter plate and the cutter.
Amount of washers may vary. The gap between the cutter plate and
the cutter is 0.02~0.15 mm. The cutter should not touch the cutter plate.

Item	Description	Part No.	Quantity
1	Seal	009566	1
2	Impeller Plastic	150527	1
3	Loctite - Impeller to Rotor	LOCTITE #222 - PINK	-----
4	Shaft	-----	-----
5	Disc,Cutter SS	150212	1
6	Washer,Shim	017316	Amount of washers may vary. (See Note 2)
		017317	
		017319	
		017320	
		150630	
7	Cutter	150211	1
8	Loctite - Cutter Retaining Screw	LOCTITE #222 - PINK	-----
9	Screw	001884	1
10	Retainer	150635	1
11	Screw	017341	8
12	Screw	018568	6
13	Guard,Cutter Plastic	150415	1
14	Pump Housing	018569	1

Condition	Possible Cause	Remedy
A. PUMP WILL NOT START OR RUN.	Low voltage, blown fuse, open circuit.	Have a qualified electrician check fuse and circuit.
	Impeller bound.	Contact a Zoeller Service Station.
	Motor or wiring shorted.	
	Debris on float switch.	Remove debris
B. PUMP STARTS TOO SOON.	Float "ON" point is adjusted too low.	Raise the float stops, make sure the float is between the two stops.
C. WATER LEVEL EXCESSIVE BEFORE PUMP TURNS ON.	Float "ON" point adjusted too high.	Lower the upper float stop.
D. PUMP WILL NOT SHUT OFF OR RUNS TOO LONG BEFORE WATER IS PUMPED.	Debris under float.	Remove debris from around float.
	Faulty float switch.	Contact a Zoeller Service Station.
	Float "Off" point adjusted too low.	Raise the lower float stop.
	Pump is air locked.	Make sure vent hole in discharge pipe is clear.
	Water level too low.	Raise the lower float stop.
	Waste material has accumulated blocking flow of material.	Hold flush handle down on toilet for 15 seconds. If unit will not clear, unplug and wait 30 minutes. Plug unit back in and repeat. If unit still will not turn off, it will need to be opened and the debris relocated.
E. PUMP OPERATES BUT DELIVERS LITTLE OR NO WATER.	Debris around intake.	Clean area around intake.
	Blockage in discharge pipe.	Remove pipe and flush out debris.
	Low or incorrect voltage.	Have a qualified electrician check house wiring.
	Damaged Impeller.	Contact a Zoeller Service Station.
	Incorrect float adjustment.	Contact Technical Service Department.
	Pump is air locked.	Make sure vent hole in discharge pipe is clear.
	Vertical lift too high.	Change discharge piping or contact Technical Service Department.



▲ WARNING Before servicing a pump, always shut off the main power breaker and then unplug the pump - making sure you are not standing in water and are wearing insulated protective sole shoes. Under flooded conditions, contact your local electric company or a qualified licensed electrician for disconnecting electrical service prior to pump removal.

▲ WARNING Submersible pumps contain oil which become pressured and hot under operating conditions - **allow 2-1/2 hours after disconnecting before attempting service.**

If the above checklist does not solve the problem, consult local agent e-mail to sales@zoeller.com.tw.

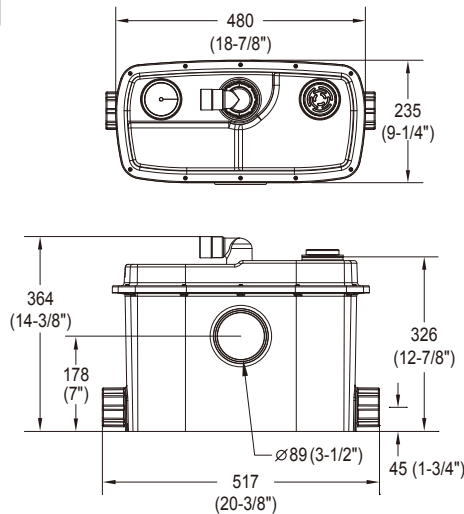
Do not attempt to service or otherwise disassemble pump.

▲ CAUTION The QWIK JON® ULTIMA is fitted with a specially designed grinder pump and is capable of pumping faecal matter, toilet paper and also sanitary articles which might accidentally be dropped into the toilet. It is not the manufacturer's suggestion to flush such foreign objects into the sewer main as they might clog the sanitary sewer.

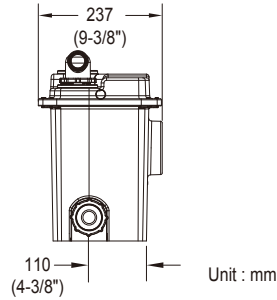
CARE OF FINISH: Soap and water is all that is recommended for cleaning the outside of the tank. Other cleaning products may cause discoloration and scratching.

Qwik Jon® Ultima Qwik Reference Guide

Dimensions



Install carbon filter vent. Please replace the carbon filter periodically, no need to install vent pipe.



Unit : mm
EA0061

STEP 1

Location Selection

Plan your new installation carefully.

Floor: The floor should be structurally sound and level within 3 mm (1/8"). If the floor is not level, use hydraulic cement or similar material to level the floor.

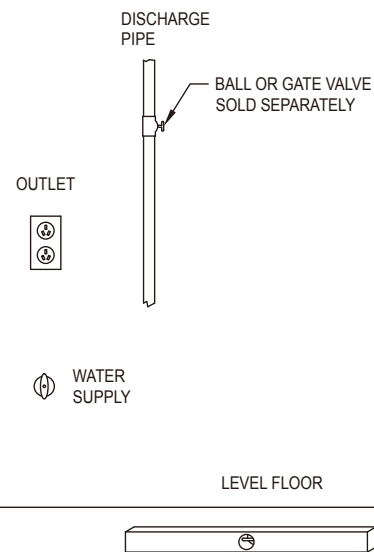
Water: A water supply will be needed to operate the toilet. Usually an outside diameter Ø20 mm (1/2") line with a shut-off valve is sufficient.

Electrical: A 220 volt receptacle will be needed to supply electrical power to the pump.

Sewage: Access to a sewage line is required. The Qwik Jon® Ultima requires an outside diameter Ø32 mm or 1" (or outside diameter Ø25 mm or 3/4" if your codes permit) sewage discharge line to connect to an existing sewage line. A ball or gate valve should be installed in the discharge line.

Carbon filter vent: Please replace the carbon filter periodically. The use of a mechanical vent system is NOT recommended as the toilet will not flush.

NOTE: If a built-in installation is to be used, locate the pump unit in an area that will allow access to the pump and switch.



SK2588

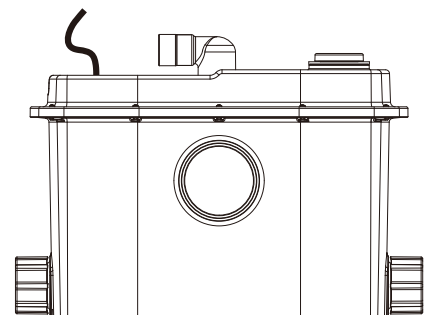
STEP 2

Leveling of Pump Unit

CAUTION Do not use wooden shims to level the pump unit!

CAUTION Ensure that nails, screws or other sharp objects do not puncture the pump unit!

Level the pump unit to within 3 mm (1/8") using hydraulic cement or similar material.

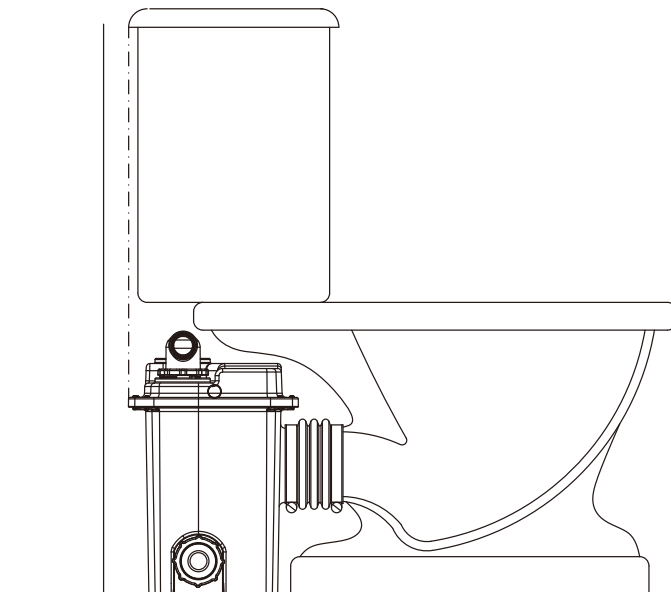


EA0062

STEP 3

Rough-in (stand-alone installation)

- 1) Position the pump unit a minimum of 3 mm (1/8") from the wall with the inlet facing forward. Attach the bellows to the inlet using the worm drive clamp provided.
- 2) Place the toilet in front of pump unit aligning the discharge of the toilet with the inlet of the pump unit. Make sure that the bellows will bridge the gap adequately for final installation. The toilet tank should be a minimum of 13 mm (1/2") from the wall.
- 3) Lightly mark the locations of the pump unit, toilet and closet bolt locations on the floor. Lightly mark the wall with the height of the pump unit and the bottom and sides of the toilet tank to ensure against interference from pipe runs later.
- 4) Remove the toilet from the pump unit and set it aside.



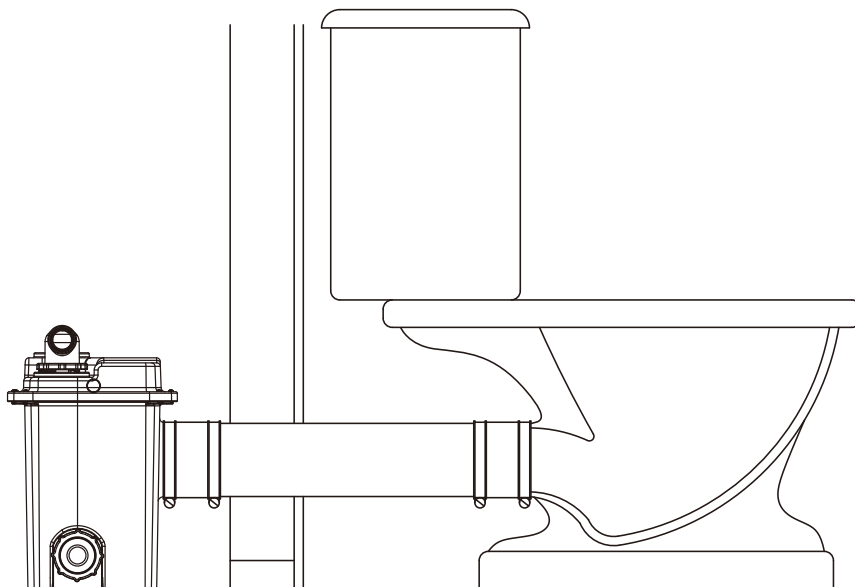
EA0063

STEP 4

Rough-in (built-in / behind the wall installation)

- 1) Installing the grinder unit behind a wall will require an extension kit (P/N 10-3050) sold separately.
- 2) Place the toilet assembly a minimum of 13 mm (1/2") from the wall and mark the closet bolt locations on the floor.
- 3) Measure the appropriate length of 3-1/2" Schedule 40 PVC pipe provided with the extension kit and cut it to length. See sketch at right.
- 4) Set toilet aside.

▲ CAUTION Toilet assembly is top heavy. Take special precautions to ensure that toilet does not tip over and break.



EA0063

STEP 5

Piping

- 1) Cut and dry-fit the pipe and fittings as required for outside diameter $\varnothing 32$ mm (1") diameter discharge pipe (may be reduced to outside diameter $\varnothing 25$ mm (3/4") diameter if codes permit).
- 2) While dry-fitting the discharge pipe, position and mark the location of the pump unit discharge fitting.

CAUTION Proper venting is required for the toilet to flush. Do not use a mechanical type vent.

- 3) Temporarily set the toilet in place to check that there is no piping interference. Remove the toilet and set it aside.
- 4) Clean, prime and solvent weld the discharge piping and pump unit discharge fitting.

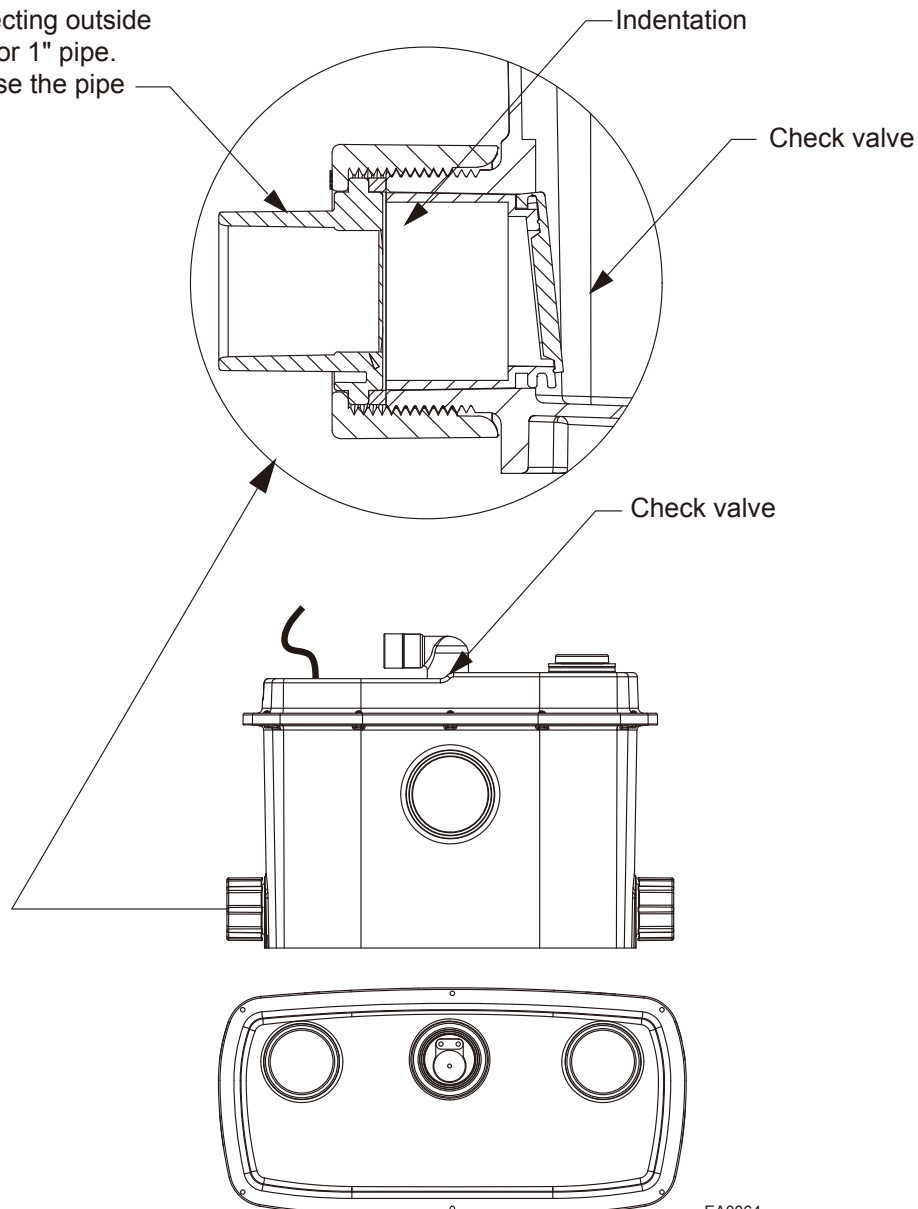
CAUTION When applying solvent weld to discharge fitting, ensure that none gets into the check valve assembly. Pay close attention to the proper alignment of the discharge fitting previously marked above.

- 5) To maintain effective ventilation, please replace the carbon filter periodically.

Note: Adding other bathroom fixtures - The Qwik Jon® Ultima is designed to accept additional bathroom fixtures utilizing the two side inlets. Available for connecting outside diameter $\varnothing 32$ mm or 1" pipe. Simply reverse the pipe adaptor and cut out the molded-in plug at the provided indentation.

CAUTION Cut cleanly and remove burrs and rough edges to avoid clogging. Hand-tighten only for plastic nut. No wrench allowed. If leakage occurs, please replace the o-ring.

Available for connecting outside diameter $\varnothing 32$ mm or 1" pipe. Only need to reverse the pipe adaptor.

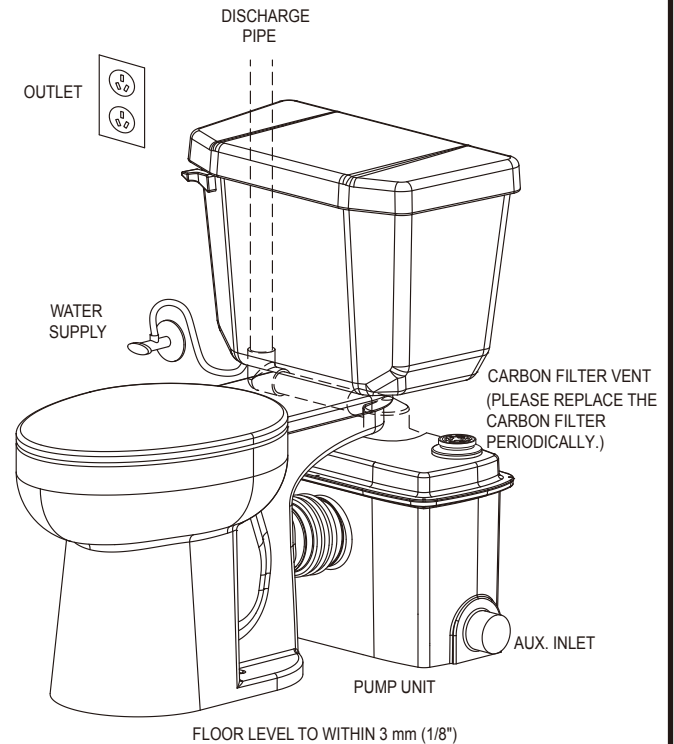


EA0064

STEP 6

Toilet Installation (Toilet Supplied by Others)

- 1) Install the closet bolts at the points marked earlier.
- 2) Place the toilet assembly over the closet bolts. Install the anchoring hardware and tighten in an alternating pattern. Check for level and shim as required. Be careful when tightening bolts or nuts against china to avoid cracking the china.
- 3) Install rubber bellows onto the toilet discharge and grinder tank hub and secure with the worm clamps provided for installation. See sketch in Step 3. For built-in installation, install the rubber couplings to both the grinder tank and the toilet discharge and secure to extension pipe with worm clamps provided. See sketch in Step 4.
- 4) Install the water supply line from the existing water shut-off valve to the toilet water supply connection.
- 5) Open the water supply valve and check for leaks. The toilet tank should fill to the proper level. Adjust if required.
- 6) Plug the pump's power cord into the outlet.
- 7) Flush the toilet and watch for proper operation. Listen for the pump to start. The pump unit requires proper venting in order for toilet to flush. Check for leaks.
- 8) Repeat flush cycles to assure proper operation.



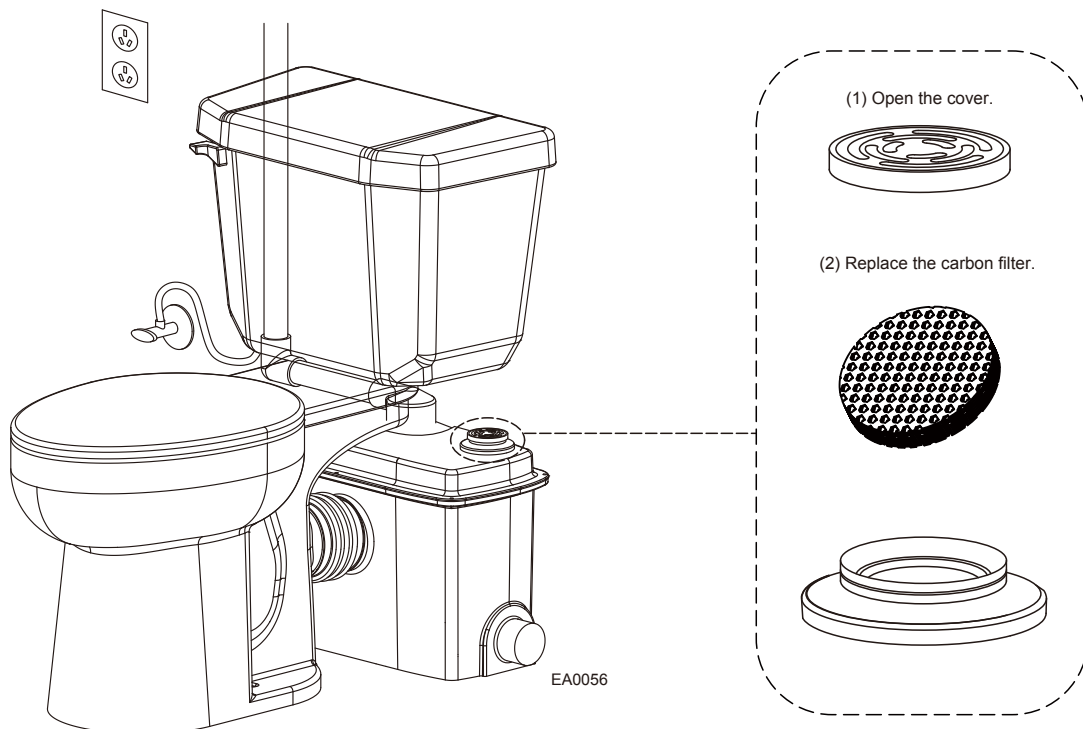
EA0065

STEP 7

Replace the carbon filter

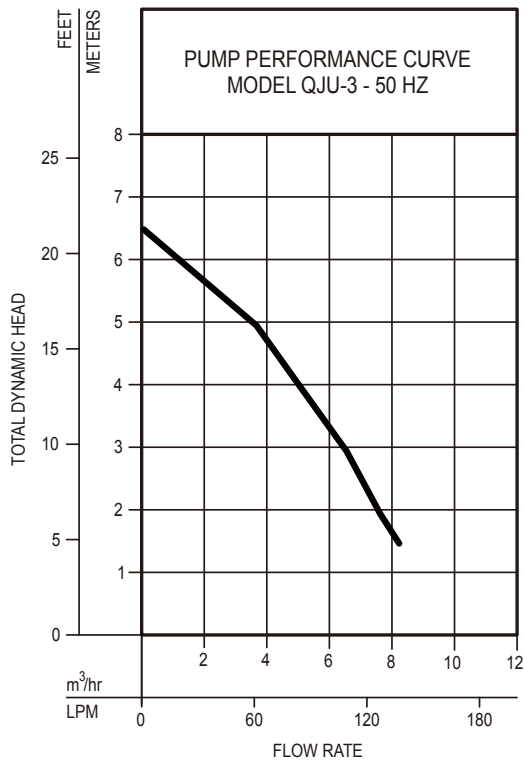
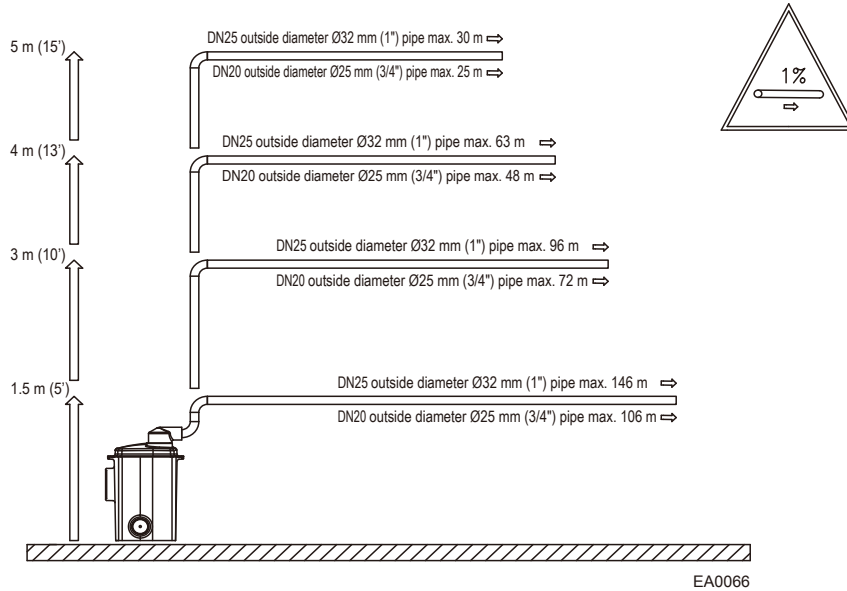
Carbon filter vent

To maintain effective ventilation, please replace the carbon filter periodically.



STEP 8

Pump Performance



TOTAL DYNAMIC HEAD/FLOW
SEWAGE

MODEL		QJU-3	
Meters	Feet	m³/hr	LPM
1.5	5.0	8.2	136
2.0	6.6	7.7	126
3.0	9.8	6.6	108
4.0	13.1	5.2	84
5.0	16.4	3.4	60
Shut-off Head:		6.5 m (21.3 ft)	

082807

These are the original installation instructions.

安装前务必详读说明书

Trusted. Tested. Tough™

文件仅供参考
若有任何修改
恕不另行通知



50 Hz








www.zoellerpumps.com

美国专利号码：
7,203,976

安装说明书 QWIK JON® ULTIMA QJU-3 安装前检查

型号：_____
制造日期：_____
安装日：_____

1. 安装前请仔细检查所有零件。产品如果在运送中受损，请尽快联系经销商。
2. 安装前仔细阅读所有提供的文件，熟悉安装细节，并保存资料以提供今后参考。

 WARNING 警告	安全守则
<ol style="list-style-type: none">1. 为防范使用者触电，本公司所有产品皆配有包含接地功能的电线及三插插头。为确保安全，请勿将插头的接地插销拔除，并确认将插头插入符合国内电工法规的漏电保护插座。2. 为确保安全请勿使用延长线。加装延长线容易使水泵马达接收不到足够的电压。更重要的是，若延长线的绝缘遭破坏、或插头松脱掉入水中，将可能造成危险。3. 请确认在供给水泵电源的电路中加装适当规格的保险丝或断路器。在此建议依照水泵铭牌上的电流值，并参照国内电工法则来选择及安装独立的断路器。4. 请在安装前测试插座的漏电保护功能。为了安全考量，请使用符合国内电工法规的电路测试仪器来检查插座中的火线、中性线及地线是否配置正确。若发现异常，请联络合格的水电技师来为您解决问题。5. 为增加安全性使用漏电保护装置，建议漏电流不超过30 mA。6. 仅得由持有证照的合格水电技师来进行水泵安装、管路搭配及电路配线。7. 为避免触电，请勿移除电缆线。8. 为了保护您的安全，接触水泵前请先拔除电源。9. 为防范触电，本产品勿用于游泳池。10. 如果电缆线受损，请联络经销商或本公司认可的服务单位维修。11. 若无监督本产品不适合给儿童、心智不健全或经验不足者使用，前述条件者使用本产品时，监督者应负全部安全责任。12. 水泵不可使用於饮用水，冷却油有可能会污染水质。	<p>为避免严重或致命的人身伤害及重大财产损失，请阅读并遵守水泵的所有安全操作说明。 本说明书在协助安装和操作本机型时，必须符合水泵的安全操作守则。</p> <p> 这是一个安全警告符号。当你在水泵或说明书中看到此符号，请查询以下符号，并警惕人身伤害或发生财产损失的可能性。</p> <p> 警告，表示可能会导致严重的人身伤害、死亡或重大财产损失的危险。</p> <p> 注意，表示可能会造成人身伤害或财产损失的危险。</p> <p> 电击危险警告，表示可能会导致严重的人身伤害、死亡或重大财产损失的危险。</p> <p> 接地标志，表示藉由连接外部导体之接地线，在故障时可防止触电发生。</p> <p> 阅读操作手册。</p> <p>使用水泵前，请彻底阅读本说明书内的说明和警告。并维护所有安全标签。</p>
	保修请参阅第12页。

▲ CAUTION

注 意

1. 本装置配有可以磨碎并运输粪便、卫生纸及不小心掉入马桶的卫生用品。然而，由于可能造成水管阻塞，我们不建议将异物冲入此装置。
2. 检查确认电源符合水泵或装置上铭牌所标示的电力资料。
3. 需依当地法令规章安装所有的装置(出口水管及碳制通气阀)。本装置必须有通气。请勿使用自动管路通气设备，否则马桶将不能冲水。
4. 最高环境温度不得超过摄氏40度(华氏104度)。
5. 请勿使用含漂白剂的清洁剂，清洗马桶水箱、马桶或附属装置品，否则会侵蚀沉水泵密封件。
6. 此产品仅限一个马桶使用。

▲ NOTES

备 注

1. 只可在已授权的服务站进行维修。
2. 备注：建议安装6.1米以下的总扬程。1英寸的水管安装以不超过4.6米的垂直高度为原则。迷你磨碎型水泵的设计仅适用于Qwik Jon® Ultima装置，不适用于任何其他设施。
3. 型号QJU-3每次冲水用水6升。
4. 所有连接到此系统的装置必须在同一楼层。

保修说明

本产品的保修为自购买日起算的一年、或从工厂制造日期起算的1.5年，以先到期者为准。若能证明产品的缺陷是由材料或制造过程造成，本公司将负责维修或更换。本公司保留决定是否维修或更换产品、零件或配件的权利。维修或更换期间买方所产生的费用或损失不在保修范围内。本公司无法控制的损坏不在保修范围内。

保修不适用于：

- (1) 未依照说明书安装、操作或维护所造成的故障或损坏。
- (2) 不当操作、意外或疏忽所造成故障或损坏。
- (3) 加装不属于本产品的零、配件。
- (4) 未依照当地法规进行安装所造成的危害。

在因涉嫌产品故障而招致损害的情况下，财产拥有人必须保留该产品以供调查之用。

(5) 将产品用在非原本设计的用途上所造成的损坏。(例：抽取沙、碎石、水泥、泥巴、沥青、碳氢化合物及其衍生物、汽油、化学溶剂或其他有腐蚀性的液体、毛巾、女性卫生用品等。)

保修零、配件的退回：在本保修之下任何修理或更换需送回本公司或其他本公司所指定的维修服务点，运费需自付。在任何情况下本公司不承担其他责任，包含资产或设备的损坏、利润损失、等.....

本公司的责任不超过产品的实售价格。

上述为本产品唯一的保固说明，任何人的修改或另做承诺皆为无效。

轻松安装的要诀

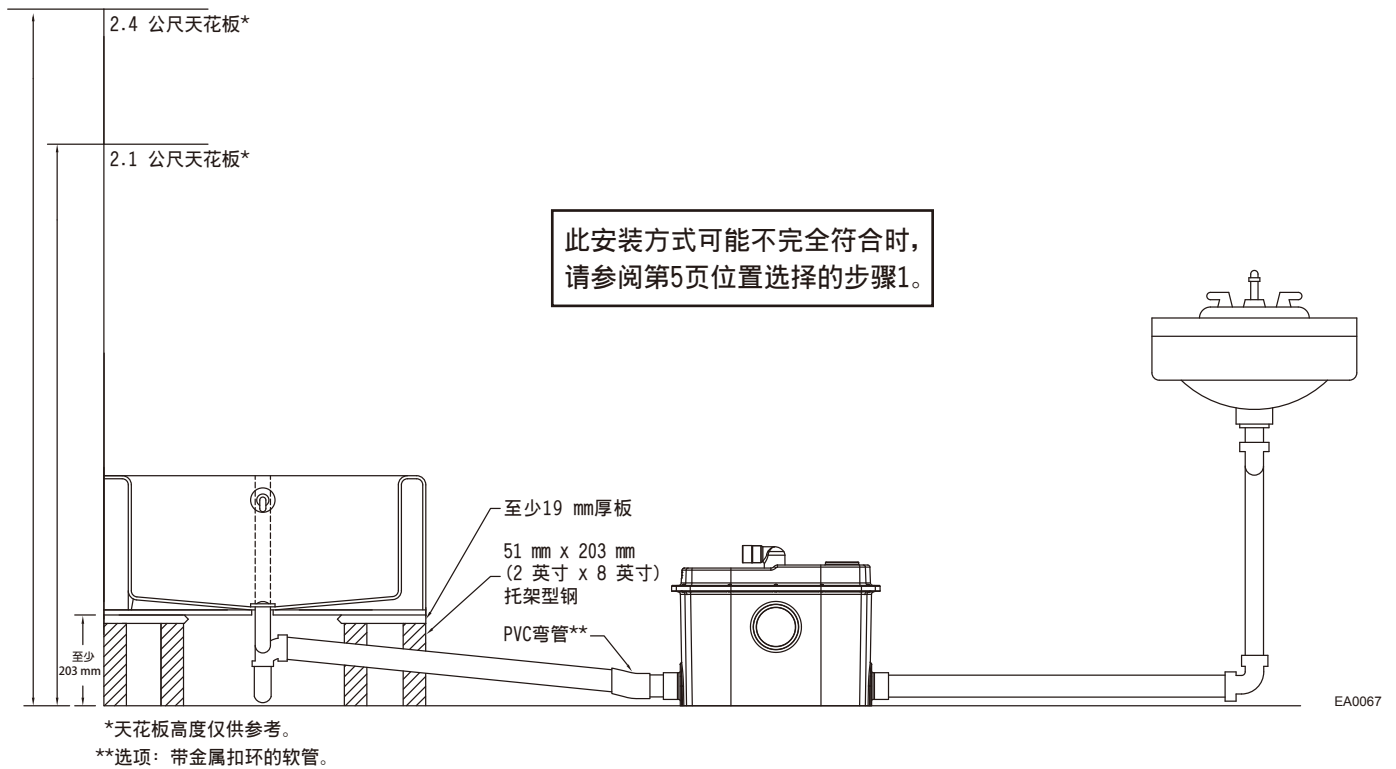
1. 安装前阅读所有指示。
2. 确保安装地面平坦度差异在3 mm之内。
3. 安装排水管密封件时，法兰密封面向外面。
4. 必要时请使用肥皂水润滑配件，以协助安装。
5. 在通气口上安装碳制通气阀，需定期更换活性炭滤棉。
6. 请不要过度锁紧马桶安装的固定螺丝。
7. 请避免使用自动管道通气设备。
8. 请记录本机型号及制造日期，与经销商联络时提供本资讯。

安装注意事项

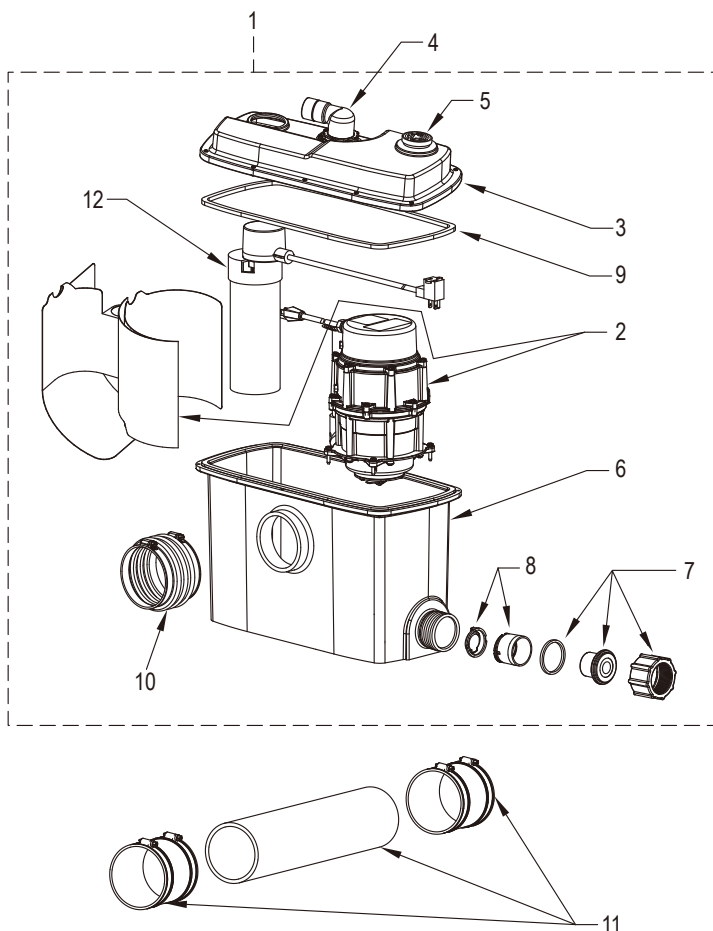
1. 请务必阅读本装置之所有安装资料。
2. 请务必检查装置是否在运送中产生可见的损坏。若装置显示受损，请洽经销商。
3. 请务必清理装置所有可见的杂物。
4. 处理前切断泵浦电源。连结到独立受保护的接地漏电流断路器。请勿切断、拼接或损坏电源线。请勿用电源线拉动或举起水泵。请勿使用延长线。
5. 请务必在逆止阀的排水管下游安装球阀或闸阀。
6. 请务必在安装後立即测试水泵，以确认系统正常运作。
7. 请务必详阅所有适用当地及国家规则，确认安装符合各项规定。
8. 不建议将本产品连结到正常浴室设施以外的设施，如洗衣机及洗碗机。
9. 务必每三个月检查并测试系统的正常运作。

建议安装标准的管路设计

备注：安装须符合一切适用的电气和配管规范，包括但不限于国家电气规则、地区配管工程法规等。



维修零件

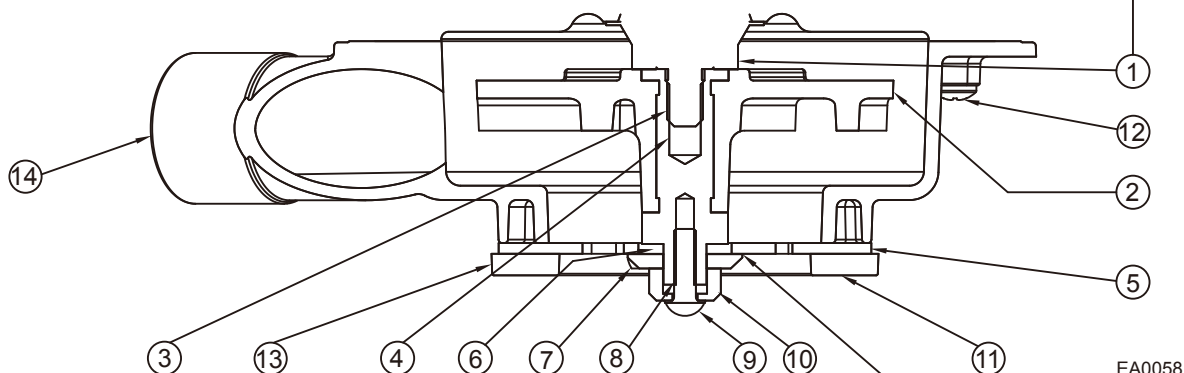


项目	描述
1	Qwik Jon® Ultima 提升器
2	磨碎型水泵 (附出水管)
3	提升器上盖
4	出水口组件
5	碳制通气阀
6	提升器
7	螺母与直管接头
8	止回阀
9	密封件
10	波纹管橡胶接头与铁箍
11	墙後安装用延伸套件 (选配)
12	外接式浮子开关

EA0068

维修零件

备注 1：机械轴封在做气密测试前，需先干转10秒。
机械轴封的摩擦面(定部与转部间)不可加任何的润滑油。



EA0058

备注 2：在切盘与切刀之间须加滑丝垫片，数量依每台状况而定。
目标以达到间隙为0.02~0.15 mm，切刀切盘不可接触。

项目	描 述	零件号码	数量
1	机械轴封	009566	1
2	叶轮	150527	1
3	水叶跟轴心间须涂乐泰胶 (Loctite)	LOCTITE #222 - PINK	-----
4	轴心	-----	-----
5	切盘	150212	1
6	华斯 (切盘与切刀中间)	017316 017317 017319 017320 150630	数量依 每台状况 而定 (见备注2)
7	切刀	150211	1
8	切刀固定螺丝须涂乐泰胶 (Loctite)	LOCTITE #222 - PINK	-----
9	切刀固定螺丝 (固定切刀在轴心上)	001884	1
10	螺帽 (固定切刀)	150635	1
11	螺丝	017341	8
12	螺丝	018568	6
13	切刀护盘	150415	1
14	水机	018569	1

异常状况	可能原因	补救措施
A. 水泵未开始运作。	低电压、保险丝烧断、电路中断。	由合格电气技师检查保险丝和电路。
	叶轮卡住。	联络经销商。
	马达或电线短路。	
	浮球开关上有杂物。	去除杂物
B. 水泵太快启动。	浮球”启动”点调得太低。	调整浮球设定。
C. 水泵太慢启动。	浮球”启动”点调得太高。	调整浮球设定。
D. 水泵不停止或在抽水前运转太久。	水泵未连接到外接浮球开关插座。	确认水泵电线连接到外接式浮球开关。
	浮球下方有杂物。	去除浮球周围的杂物。
	浮球开关故障。	联络经销商。
	浮球”停止”点调得太低。	提高下端浮球制子。
	水泵气锁。	确保排放管中的通气孔畅通。
	水位太低。	提高下端浮球制子。
	污物累积，造成通道不良。	按下马桶冲水柄 15 秒。若装置未畅通，拔除插头等待 30 分。将装置的插头插回，重复此动作。若装置仍未关闭，必须打开装置移除杂物。
E. 水泵运转正常，但抽不到水或水流量太少。	进水口周围有杂物。	清理进水口附近区域。
	排放管堵塞。	必要时卸除排放管，冲走杂物。
	电压太低或不当电压。	由合格电气技师检查家庭管线。
	叶轮受损。	联络经销商。
	浮球调整不当。	联络经销商。
	水泵气锁。	确保排放管中的通气孔畅通。
	安装扬程超过系统设计的扬程。	更换排放管或联络经销商。



警告

在维修沉水泵之前，须关闭总电源断路器，拔除水泵插头——确保人未站在水中，且穿上绝缘保护底的鞋子。水溢流时，联络当地的电力公司，或有执照的合格电气技师，在移除管之前进行断电。



警告 本水泵含冷却油，在运作状态下会

受压变热—— **断电后等待2.5 小时再进行维修。**

——如果以上检查点都无法排除问题，请与经销商联络，不要尝试维修或拆除沉水泵及其他零件。

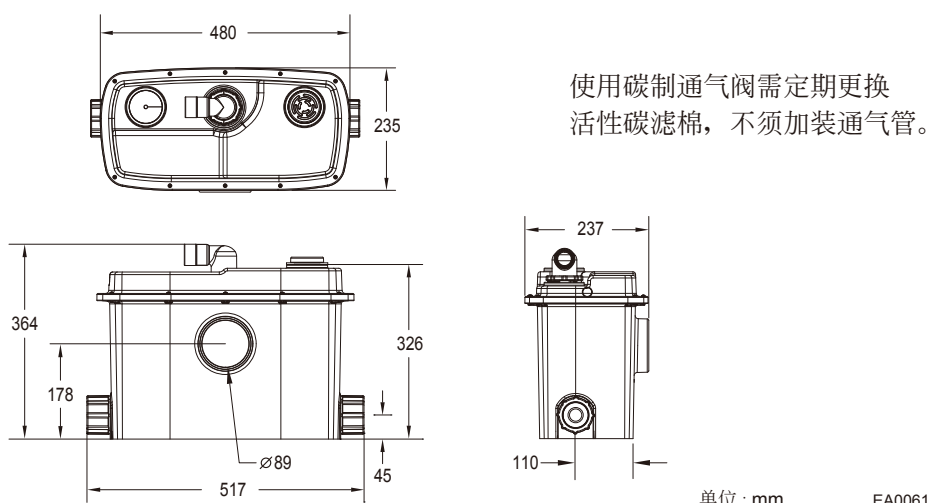
注意

不要将女性生理用品、可抛弃式尿片、抹布等丢入 QWIK JON® ULTIMA 中。这可能堵塞水泵或其他管道，导致故障。

完成后的保养：仅建议使用肥皂和水清洗水箱外侧。其他清洁产品可能造成褪色和刮伤。

Qwik Jon® Ultima 参考手册

尺寸



步骤 1

位置选择

请仔细计划后再施工。

地板: 地板结构须稳固，地板凹凸面高低差在 3 mm 之内。若地板不平，使用水泥或类似材料校平。

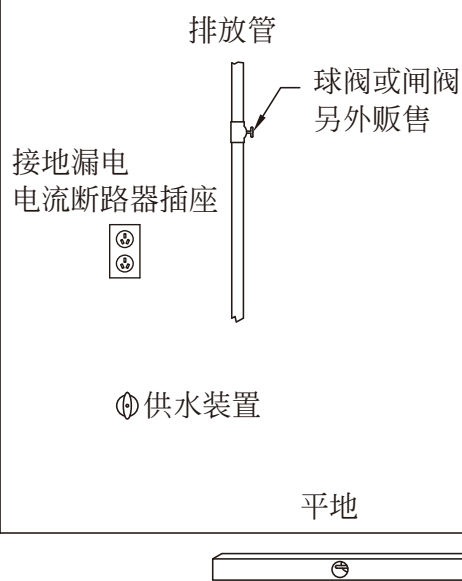
水: 马桶运作需有供水源。通常外径 $\varnothing 20$ mm (1/2 英寸) 管配备截流阀就足够。

电气: 需要 220 伏特含接地漏电断路器的插座以供应电源到水泵。

下水道: 需要连接到粪管排放。Qwik Jon® Ultima 要求有外径 $\varnothing 32$ mm 或 1 英寸(若当地规则许可，也可为外径 $\varnothing 25$ mm 或 3/4 英寸的管路)，以连接到既有的粪管。排放管路上应安装球阀或闸阀。

碳制通气阀: 需定期更换活性碳滤棉。不建议采用机械式通气系统。

备注: 若欲采用隐藏安装，请将提升器设在维修人员有足够空间维修拆装的地方。



SK2588

步骤 2

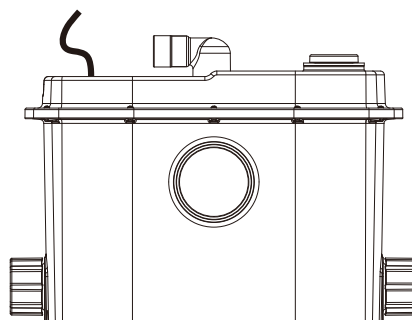
水泵装置

▲ 注 意

勿使用木质垫片校平提升器。

▲ 注 意

确保钉子、螺丝或其他尖锐物不会刺穿提升器。
使用水硬水泥或类似材料将水泵校平至差距在 3 mm 之内。

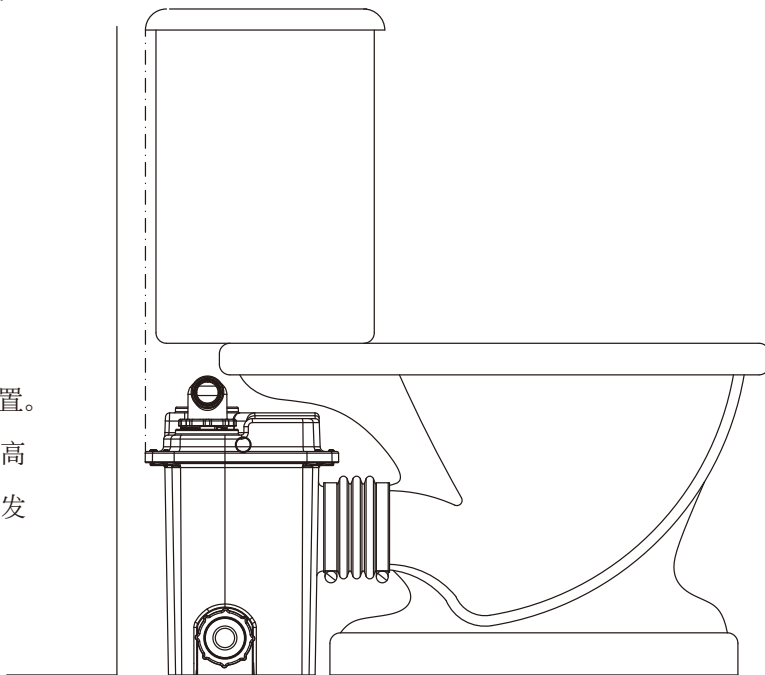


EA0062

步骤3

简图(独立式安装)

- 1) 将水泵安置在离墙至少3 mm处, 进水口朝前。使用提供的蜗轮式夹件, 将伸缩管安装到进水口。
- 2) 将马桶安置在水泵前面, 马桶排放管和水泵装置进水口的位置需对正。确保伸缩管足以跨越间隙, 以进行最后安装。马桶水箱应离墙至少13 mm。
- 3) 在地板上轻轻标记水泵装置、马桶和马桶螺丝的位置。在墙上轻轻标记水泵装置及马桶水箱底部和侧边的高度, 以确保未来实际安装马桶水箱和管路时, 不会发生干涉。
- 4) 将马桶卸离水泵, 另外安放。



EA0063

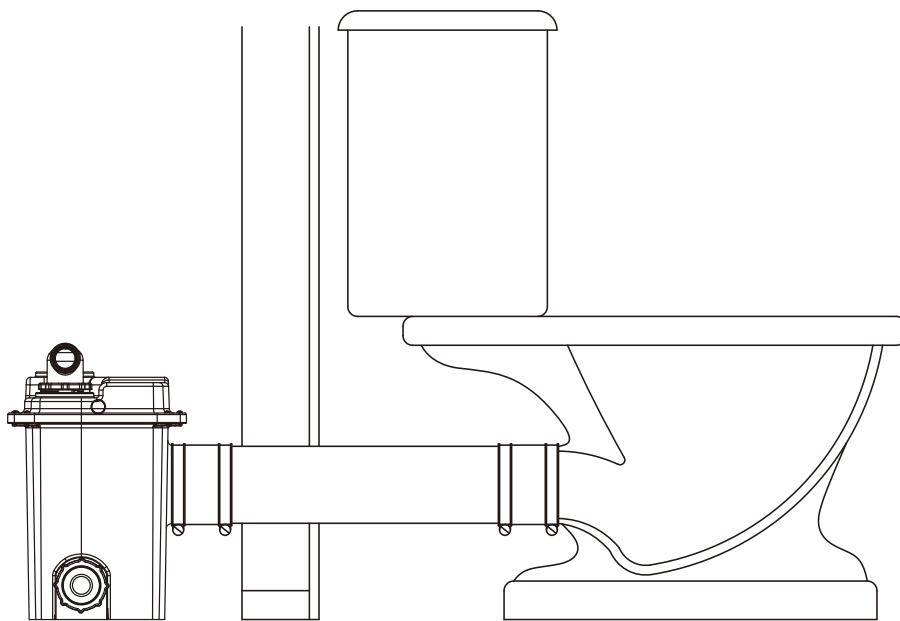
步骤4

简图(隐藏式安装)

- 1) 安装墙后水泵组须有另外贩卖的延伸套件(P/N10-3050)。
- 2) 将马桶组件安置在离墙至少13 mm处, 并在地板上标记马桶螺丝的位置。
- 3) 测量延伸套件中的PVC规格Schedule 40管径3-1/2 英寸的水管所需长度再加以裁切安装。参见右图。
- 4) 将马桶另外安放。

▲ 注 意

马桶组件头重脚轻, 要特别注意, 确保马桶不会倾倒破碎。



EA0063

步骤 5

配管安装

1) 依外径 $\varnothing 32$ mm (1 英寸)排放管(若法规允许,可降低至使用外径 $\varnothing 25$ mm (3/4 英寸)直径排放管)的需求,裁切并试接配件。

2) 在试接排放管时,安放并标记水泵装置排放配件的位置。

▲ 注 意

马桶冲水需要适当的通气。不要使用机械式通气系统。

3) 暂时将马桶安放在位置上,检查是否有管道干涉情况。卸下马桶放在一旁。

4) 清洗、装填、溶剂熔接排放管道和水泵装置排放配件。

▲ 注 意

进行溶剂熔接到排放配件时,应确保溶剂不会流入逆止阀装备。注意适当校直先前标记的排放配件。

5) 定期更换活性炭滤棉,以达到适当的通气。

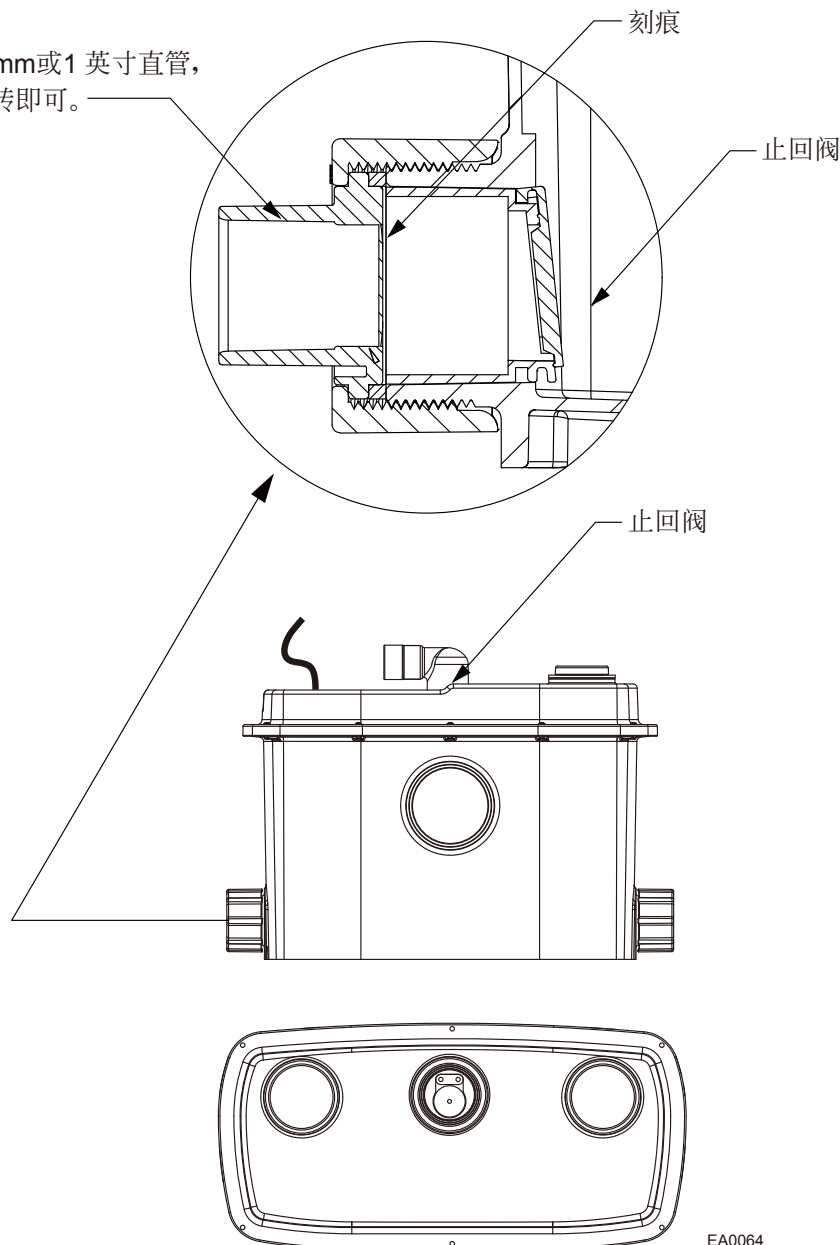
备注:增加其他浴室配备——Qwik Jon® Ultima 的设计可以利用两侧边的进水口,接受额外的浴室配备。可直接接外径 $\varnothing 32$ mm或1 英寸直管,简单的扭转转接头并且切出模内插件所提供的刻痕。

▲ 注 意

完整的切除并且移除毛边及粗糙的边缘来防止阻塞。

塑胶螺母不可使用工具锁紧,若发生漏水请更换O型环。

可直接接外径 $\varnothing 32$ mm或1 英寸直管,只需将直管接头反转即可。



步骤6

马桶安装

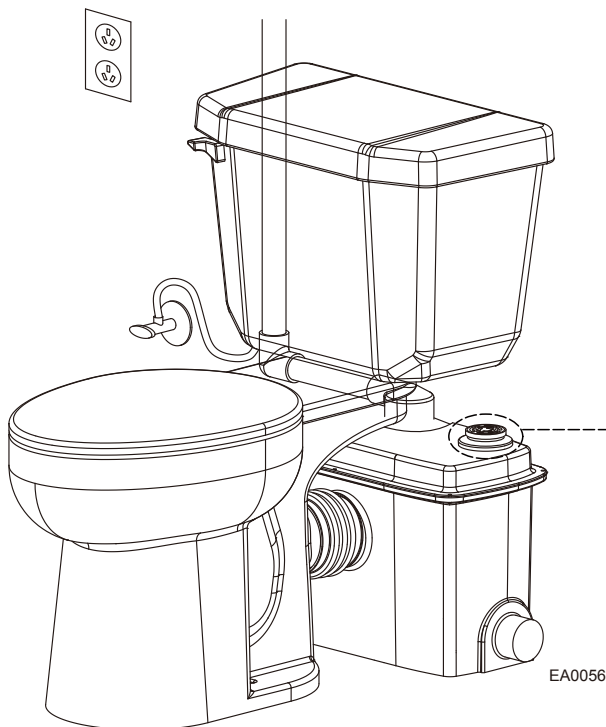
- 1) 将马桶螺丝安装到先前标记的点。
- 2) 将马桶组件安置在马桶螺丝上方，之后并以交替对锁的方式锁紧螺丝。依照要求检查水平状态和填隙片。锁紧瓷料的螺栓和螺帽时须小心，避免瓷料破裂。
- 3) 进行独立式安装时，将橡胶进水口安装到马桶排放管和水泵水箱套壳上，以提供的蜗轮式夹件固定。参见步骤4的简图。进行内建式安装时，将橡胶管箍安装到水泵箱和马桶排放管，以提供的蜗轮式夹件固定到延伸管。参见步骤5简图。
- 4) 将供水管从既有的断流阀安装到供水联结。
- 5) 打开供水阀，检查是否有漏水。马桶水箱应注到适当水位。必要时进行调整。
- 6) 将水泵电源线插到外接浮球开关插座，然后将外接浮球开关插到接地电路断路器插座。
- 7) 冲马桶，观察是否正常运行。聆听水泵开始启动。水泵需要适当的通气，马桶才能冲水。检查是否漏水。



步骤7

更换活性炭滤棉

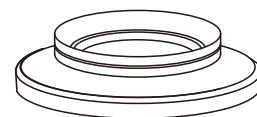
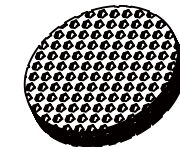
请定期更换活性炭滤棉，以达到适当的通气。

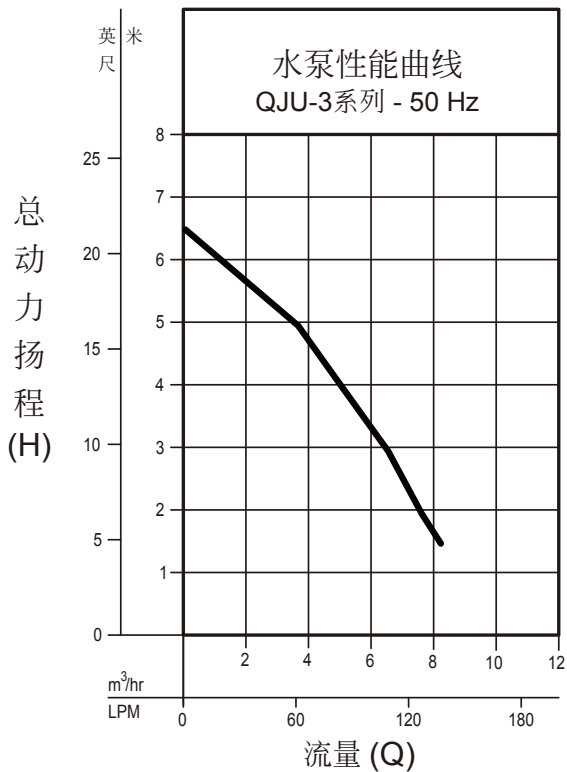
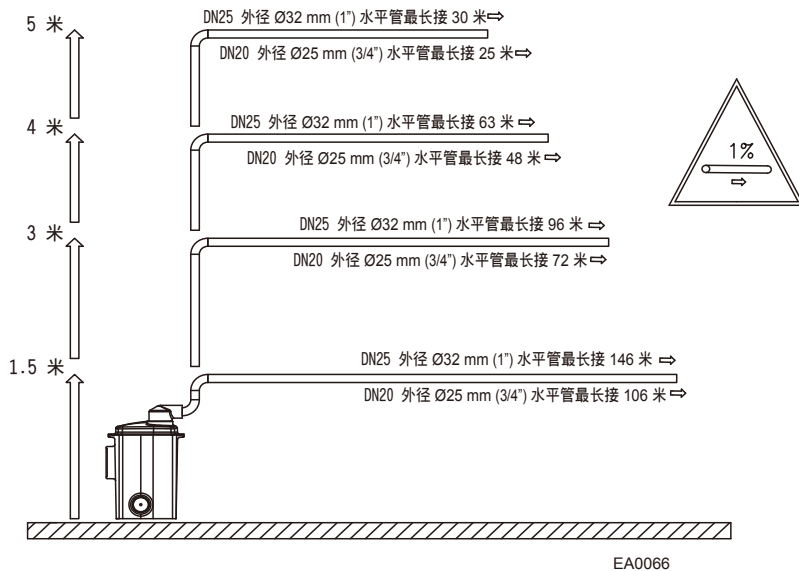


(1) 打开上盖



(2) 更换活性炭滤棉





总动力扬程/流量

型号		QJU-3	
Meters	Feet	m³/hr	LPM
1.5	5.0	8.2	136
2.0	6.6	7.7	126
3.0	9.8	6.6	108
4.0	13.1	5.2	84
5.0	16.4	3.4	60
全闭扬程		6.5 米 (21.3 英尺)	

082807