

Qwik Jon[®] CHOICE

60 Hz

Making bathroom installations easy!

Features and Benefits:

- A quiet, preassembled pump and macerator system requiring minimal space for installation!
- Install a complete bathroom without breaking concrete!
- Easily connects to a tub, shower, sink, or other fixtures with 2" NPT or 1-1/2" (DN25) slip side inlets
- No gravity drain required
- Install as a freestanding unit
- Automatic reset thermal overload protects the pump
- Carbon/Ceramic mechanical shaft seal for long life
- Upper and lower ball bearings for efficient and quiet operation
- Non-clogging vortex impeller for reliable operation
- Recessed side handles for carrying
- Convenient snap-fit covers for easy access to macerator and electrical junction box
- Discharge elbow with built-in check valve
- Standard 6' (1.8 m) cord

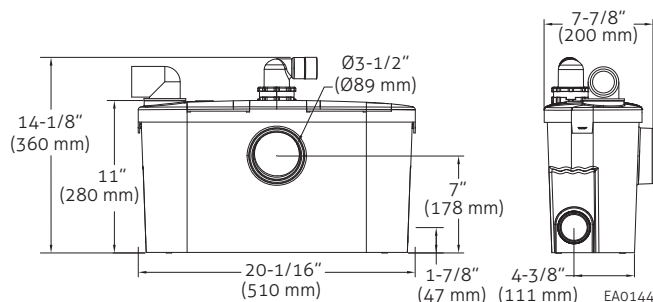
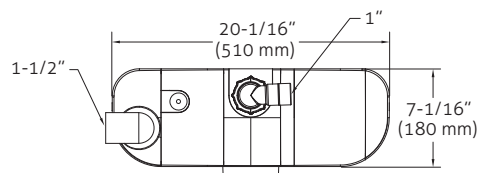
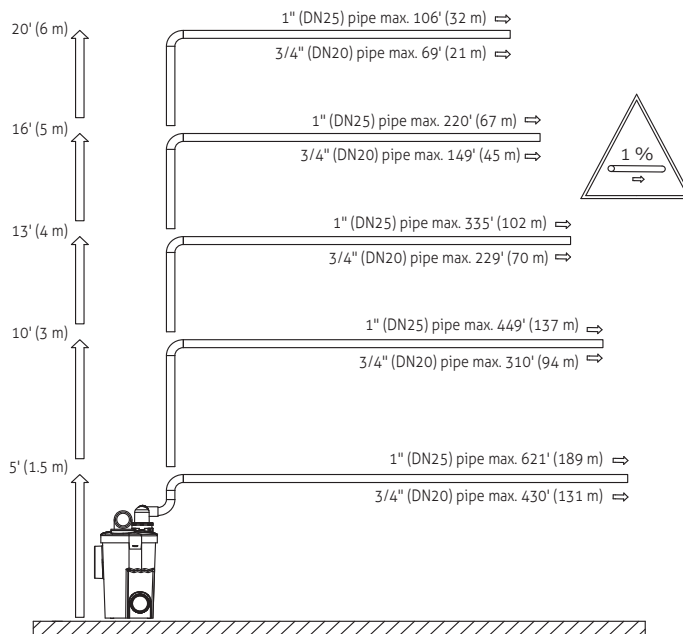
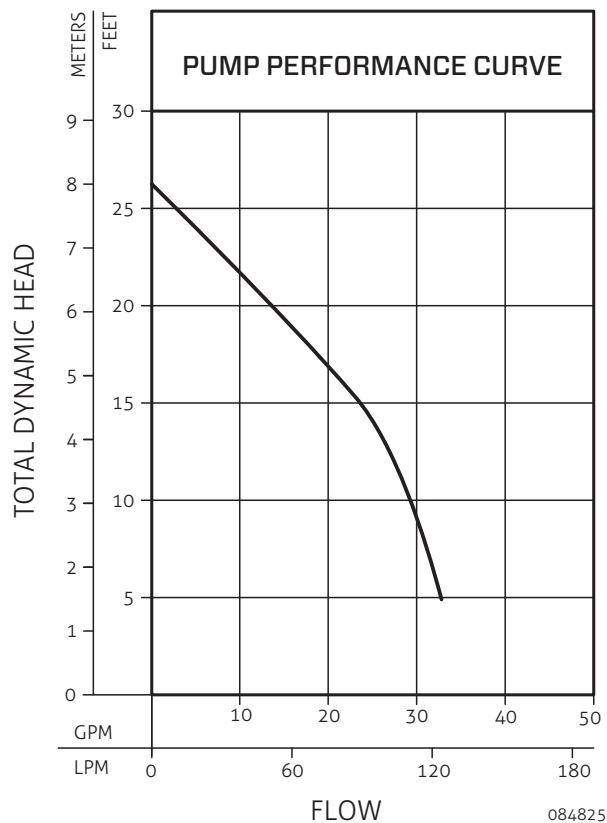


100% factory tested

ZOELLER[®] 
PUMP COMPANY

Trusted. Tested. Tough.[®]

FM3289_Ea
0621
Supersedes
0121



Model	Mode	Volts (V)	Ph Ø	Amps (A)	Motor		Weight	
					HP	kW (p1)	kg	lbs
200	Vertical Switch	115	1	6.0	1/3	0.66	11	24.3

For a complete system packaged in 1 box, order p/n 200-0021. This includes the Qwik Jon® Choice, toilet tank, and toilet bowl.

To purchase Qwik Jon® Choice components individually order the following three items:

Model #	Product
200-0006	Qwik Jon® Choice macerator pump and tank
202-2000	Qwik Jon® elongated toilet bowl
202-3002	Qwik Jon® toilet tank and lid
10-3050	optional extension kit (available for recessed or behind-the-wall installations)



When used with 1.28 gallon tank and fill valve



Model 202 meets the Americans with Disabilities Act guidelines and ANSI A117.1 requirements for accessible and usable facilities — check local codes



Product information presented here reflects conditions at time of publication. Consult factory regarding discrepancies or inconsistencies.

© Copyright 2021 Zoeller® Co. All rights reserved. www.zoellerpumps.com

